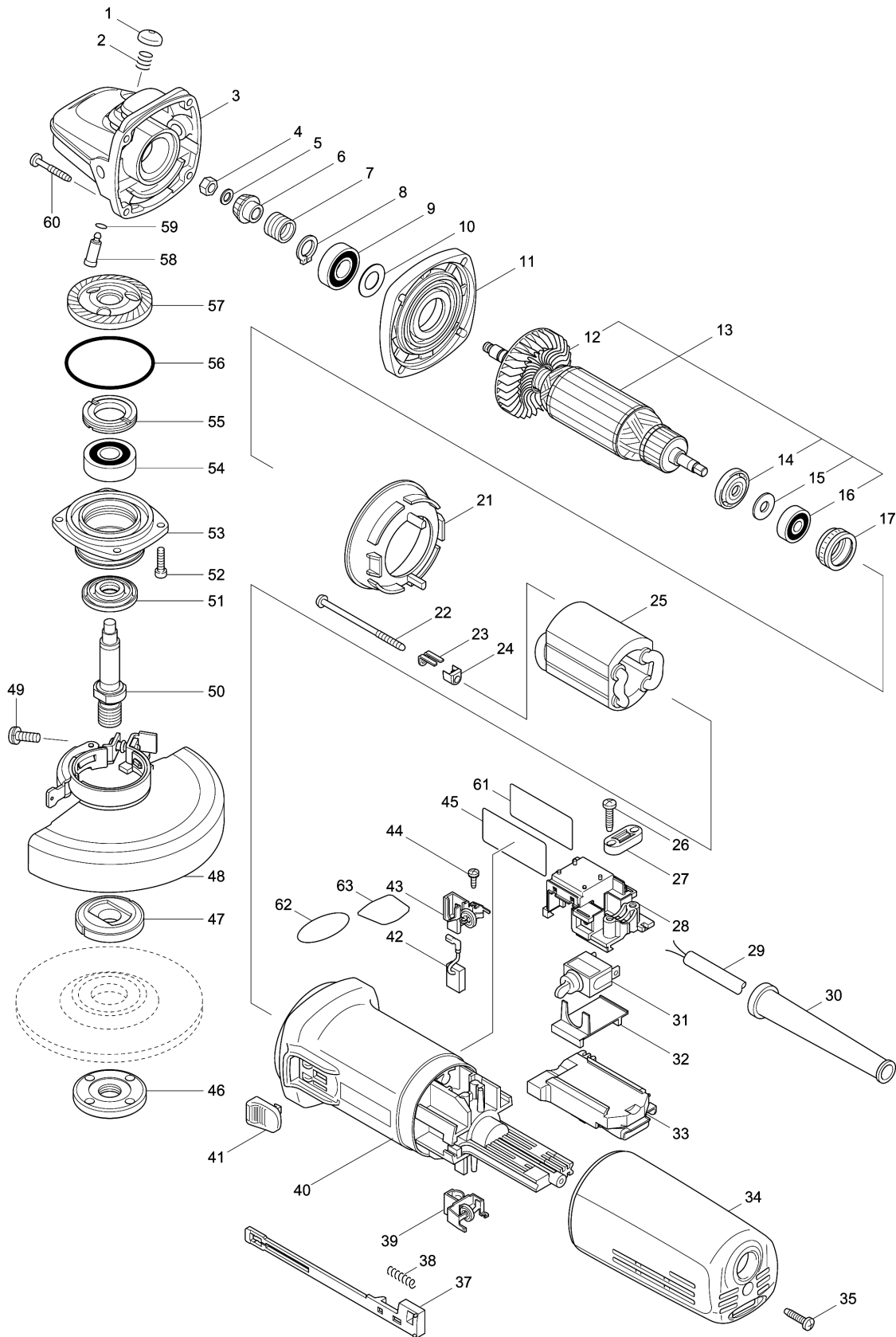


### Model No.9565HR 125MM ANGLE GRINDER



## Model No.9565HR 125MM ANGLE GRINDER

Item	Parts No.	Description	I/C	Qty	New/Old	Opt. 1	Opt. 2	Note
001	418067-8	PIN CAP		1				
002	233072-2	COMPRESSION SPRING 8		1				
003	153488-4	GEAR HOUSING COMPLETE		1				
004	931303-0	HEX. NUT M6		1				
005	253077-6	FLAT WASHER 6		1				
006	226794-1	SPIRAL BEVEL GEAR 11		1	*			
006-1	227513-8	SPIRAL BEVEL GEAR 11	S	1				
007	233901-9	LOCK SPRING 12		1				
008	961052-5	RETAINING RING (EXT) S-12		1				
009	211142-7	BALL BEARING 6001LLB		1				
010	253084-9	FLAT WASHER 12		1				
011	317359-1	GEAR HOUSING COVER		1				
012	240033-5	FAN 57		1				
013	515234-7	ARMATURE ASS'Y 240V		1				
D10		INC. 12,14-16						
014	681656-4	INSULATION WASHER		1				
015	253823-7	FLAT WASHER 7		1				
016	210027-4	BALL BEARING 627DDW		1				
017	421738-8	LABYRINTH RUBBER RING 22		1	*			
017-1	422750-1	LABYRINTH RUBBER RING 22	<	1				
021	413076-2	BAFFLE PLATE		1				
022	266258-3	TAPPING SCREW 4X70		2				
023	344871-8	RETAINER		2				
024	417237-6	INSULATION COVER		2	*			
025	626564-2	FIELD 230-240V		1	*			
025-1	621C09-3	FIELD 230-240V	S	1				
026	265995-6	TAPPING SCREW 4X18		2				
027	687124-5	STRAIN RELIEF		1				
028	638635-3	SWITCH BLOCK		1				
029	665394-6	POWER SUPPLY CORD 1.0-2-2.5		1				
030	682559-5	CORD GUARD 8		1				
031	651418-4	SWITCH ST115A-40		1	*			
031-1	651418-4	SWITCH ST115A-40	O	1				
032	687113-0	COVER		1				
033	620335-9	CONTROLLER		1	*			
033-1	620G07-8	CONTROLLER	<	1				
034	417185-9	REAR COVER		1				
035	265995-6	TAPPING SCREW 4X18		1				
037	417186-7	SWITCH LEVER		1				
038	233071-4	COMPRESSION SPRING 4		1				
039	643760-7	BRUSH HOLDER		1				
040	453276-2	MOTOR HOUSING		1				
041	417813-6	SWITCH KNOB		1				
042	194074-2	CARBON BRUSH CB-325		1				
043	643760-7	BRUSH HOLDER		1				

Please order the parts with part number.

Print Date 4/3/2024

## Model No.9565HR 125MM ANGLE GRINDER

Item	Parts No.	Description	I/C	Qty	New/Old	Opt. 1	Opt. 2	Note
044	266256-7	TAPPING SCREW PT3X10		4				
045	850M51-9	9565HR NAME PLATE		1				
046	224554-5	LOCK NUT 14-45		1				
047	224415-9	INNER FLANGE 42		1				
048	123145-8	TOOLLESS WHEELCOVER 125AK ASSY		1	*			
C10	213009-5	O RING 4		1	*			
D10		INC. 49			*			
048-1	141P36-7	TOOLLESS WHEEL COVER 125AK CMP	<	1	*			
C10	213009-5	O RING 4		1	*			
C20	8050A1-8	CAUTION LABEL		1	*			
D10		INC. 49			*			
048-2	123145-8	TOOLLESS WHEELCOVER 125AK ASSY	<	1				
C10	213009-5	O RING 4		1				
D10		INC. 49						
049	265180-1	PAN HEAD SCREW M5X16		1				
050	324035-0	SPINDLE		1				
051	415300-9	LABYRINTH RING		1				
052	265490-6	HEX. SOCKET HEAD BOLT M4X16		4				
053	318334-0	BEARING BOX		1				
054	211129-9	BALL BEARING 6201DDW		1				
055	285841-7	BEARING RETAINER		1				
056	213673-2	O RING 52		1				
057	227427-1	SPIRAL BEVEL GEAR 38		1	*			
057-1	227631-2	SPIRAL BEVEL GEAR 38	S	1				
058	256459-1	PIN		1				
059	213048-5	O RING 6		1				
060	266257-5	TAPPING SCREW 4X28		4				
061	805W65-3	CLEAR LABEL		1	*			
063	813900-3	SJS MARK LABEL		1	*			
A01	162258-0	VIBRATION PROOF GRIP		1				
A02	782423-1	LOCK NUT WRENCH 35		1				
A03	D-18465	GRINDING WHEEL 125X6 A24R		1				
A13	199710-5	CUTTING W.C.A. 125 SET		1				
F03	194514-0	VIBRATION PROOF GRIP SET		1				
F05-1	195239-9	115/125MM DUST COVER K SET	<	1	*			
F39	191W06-8	115/125MM DUST COVER K SET		1				
C10	743129-6	BRUSH A		1				
C20	743130-1	BRUSH B		1				

Please order the parts with part number.

Print Date 4/3/2024