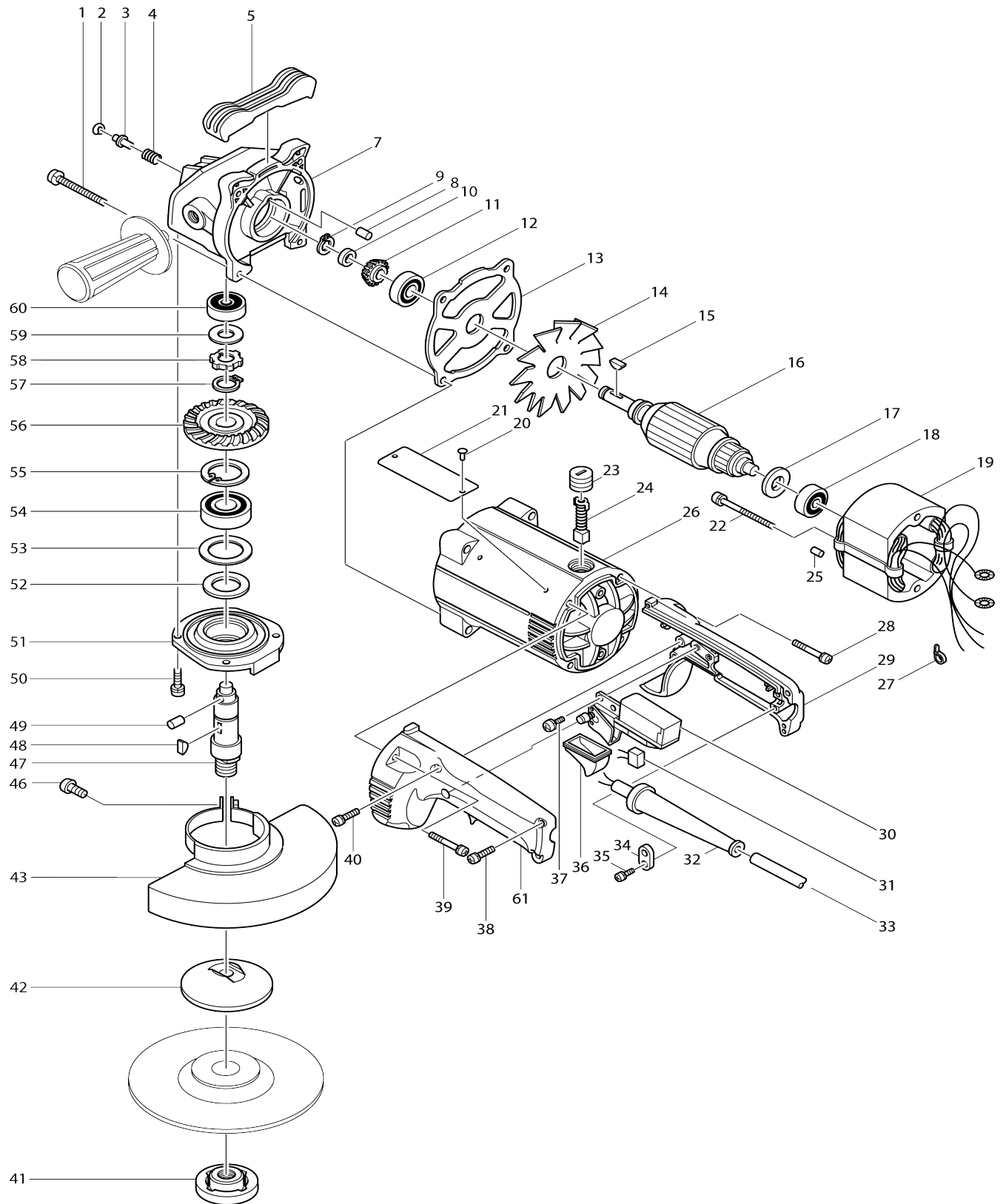


Model No.9609NB DISC GRINDER 230MM



Model No.9609NB DISC GRINDER 230MM

Item No.	Parts No.	Description	Interc hang eabilit y	Q'ty	New/ Old	Note1	Note2
001	911261-6	PAN HEAD SCREW M5X40		4			
002	962062-5	RETAINING RING R-12		1			
003	256615-3	PIN 6		1			
004	231037-8	COMPRESSION SPRING 7		1			
005	421156-0	TOOL REST		1			
007	156451-6	GEAR HOUSING COMPLETE		1			
C10	257056-6	RING 6		1			
D10		INC. 5,8					
008	263005-3	RUBBER PIN 6		1			
009	961051-7	RETAINING RING S-11		1			
010	257062-1	RING 11		1			
011	221322-7	SPIRAL BEVEL GEAR 17		1			
012-1	211132-0	BALL BEARING 6301DDW		1			
013	341403-2	PLATE		1			
014	254001-2	WOODRUFF KEY 4		1			
015A_	241315-8	FAN 100		1			
016F_	514937-0	ARMATURE ASS'Y 200V-220V		1			
D10		INC. 15,17,18					
017-2	681626-3	INSULATION WASHER		1	*		
017-3	681624-7	INSULATION WASHER	O	1	*		
017-4	681635-2	INSULATION WASHER	O	1			
018-3	211087-9	BALL BEARING 6200DDW		1			
019B_	524533-6	FIELD ASS'Y 220V		1			
C10	654020-2	RING TERMINAL		2			
C20	654502-4	CONNECTOR P-2		2			
020	953106-2	RIVET 0-5		2			
021-1	855490-0	NAME PLATE 9609NB		1			
022-1	911290-9	PAN HEAD SCREW M5X65		2			
023	643650-4	BRUSH HOLDER CAP 6.5-13.5		2	*		
023-1	643650-4	BRUSH HOLDER CAP 6.5-13.5	O	2			
024-1	181044-0	CARBON BRUSH CB-153		1	*		
024-2	194985-1	CARBON BRUSH SET CB-153	O	1			
025-1	263013-4	RUBBER PIN 4		1	*		
025-2	263014-2	RUBBER PIN 4	O	1			
026-4	156452-4	MOTOR HOUSING COMPLETE		1			
C10	643660-1	BRUSH HOLDER 6.5-13.5		2			
D10		INC. 25					
027	687010-0	BAND		1			
028	911248-8	PAN HEAD SCREW M5X28		2			
029-1	181908-8	HANDLE SET		1			
D10		INC. 61					
030-1	651128-3	SWITCH C3D-15AS		1			
031A_	645208-5	NOISE SUPPRESSOR		1			
032	682505-8	CORD GUARD 10-90		1			
033K_	665516-8	POWER SUPPLY CORD 1.00-2-2.5		1			
034A_	687001-1	STRAIN RELIEF		1			
035-1	911133-5	PAN HEAD SCREW M4X18		2			

036-1	421279-4	DUST COVER F/AC/DC SWITCH		1		
037	911113-1	PAN HEAD SCREW M4X10 WITH WR		2		
038-1	911148-2	PAN HEAD SCREW M4X25		2		
039	911248-8	PAN HEAD SCREW M5X28		2		
040-2	911148-2	PAN HEAD SCREW M4X25		1		
041C4	224543-0	LOCK NUT 14-45		1		
042C6	224298-7	INNER FLANGE 42		1	*	
042C7	224415-9	INNER FLANGE 42	<	1		
043C3	164814-2	WHEEL COVER 230		1		
044-1	342555-2	WHEEL COVER HOLDER		1		
046A5	251383-3	PAN HEAD SCREW M8X30		1		
047C_	321218-3	SPINDLE		1		
048	254001-2	WOODRUFF KEY 4		1		
049	256047-4	PIN 6		1		
050	911226-8	PAN HEAD SCREW M5X18		1		
051-1	315003-4	BEARING BOX		1		
052	443036-0	FELT RING 25		1		
053	253772-8	FLAT WASHER 28		1		
054	211256-2	BALL BEARING 6203LLB		1		
055	962157-4	RETAINING RING R-40		1		
056	221323-5	SPIRAL BEVEL GEAR 58		1		
057	961057-5	RETAINING RING S-17		1		
058-1	322465-9	SPINDLE LOCK BUSH		1		
059	253214-2	FLAT WASHER 9		1		
060	211058-6	BALL BEARING 629LB		1		
061-1	181908-8	HANDLE SET		1		
D10		INC. 29				
400A2	152492-0	GRIP 36 COMPLETE		1		
402A_	782407-9	LOCK NUT WRENCH 35		1		
403	783204-6	HEX. WRENCH 6		1	*	
901	781014-5	WRENCH 17		1		
F15	192227-7	SUPER FLANGE		1		

Please state Parts No. when your order.

Print Date 10/10/2023