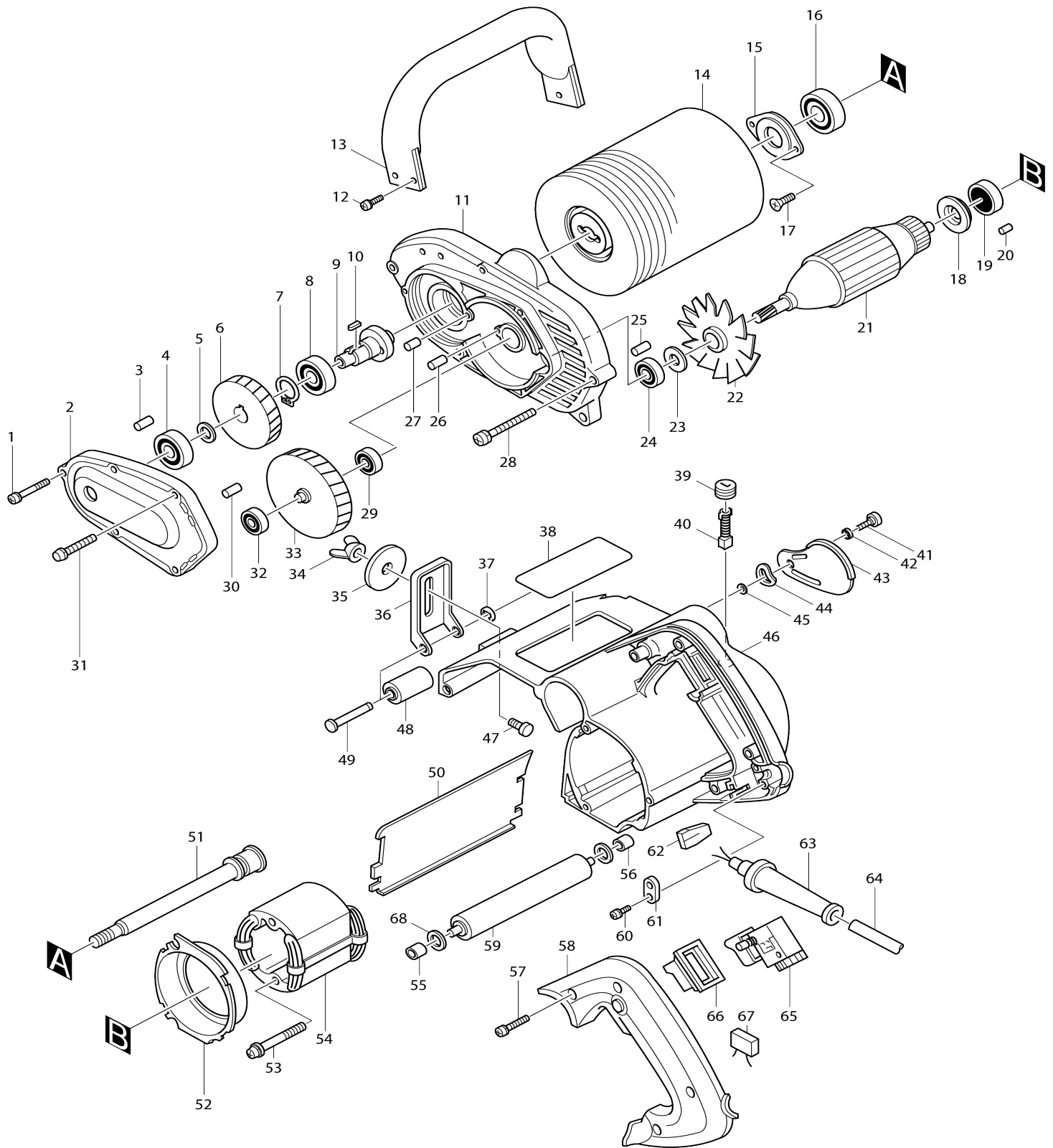


Model No.9741 WHEEL SANDER



Model No.9741 WHEEL SANDER

Item No.	Parts No.	Description	Interchangability	Q'ty	New/Old	Note1	Note2
001-1	911248-8	PAN HEAD SCREW M5X28		3			
002	157777-9	GEAR HOUSING COVER		1			
D10		INC. 3,30					
003	263002-9	RUBBER PIN 4		1			
004	211101-1	BALL BEARING 6001LLB		1			
005	253744-3	FLAT WASHER 12		1			
006	221756-4	HELICAL GEAR 53		1			
007	961055-9	RETAINING RING S-15		1			
008	211227-9	BALL BEARING 6002DDW		1	*		
008-1	211236-8	BALL BEARING 6002DDW	O	1			
009	163269-8	SPINDLE		1			
010	254219-5	KEY 4		1			
011	157776-1	GEAR HOUSING		1			
D10		INC. 25-27,55					
012-1	911218-7	PAN HEAD SCREW M5X14		3			
013	273623-9	GRIP		1			
014	794380-1	SLIT PAPER WHEEL 120-40		1	*		
014-1	794384-3	NYLON BRUSH WHEEL 120-80		1			
015	285661-9	BEARING RETAINER		1			
016	211275-8	BALL BEARING 6003DDW		1			
017	912122-3	COUNTERSUNK HEAD SCREW M4 X14		2			
018	681625-5	INSULATION WASHER		1			
019	211031-6	BALL BEARING 608LLB		1			
020	263014-2	RUBBER PIN 4		1			
021C_	512928-5	ARMATURE ASS'Y 220V		1			
D11		INC. 18,19,22,23,24					
022	241113-0	FAN 68		1			
023	213059-0	DUST SEAL 10		1	*		
023-1	253024-7	FLAT WASHER 10	X	1			
024	211061-7	BALL BEARING 6000LLB		1	*		
024-1	211088-7	BALL BEARING 6000DDW	X	1			
025	263002-9	RUBBER PIN 4		1			
026	263002-9	RUBBER PIN 4		1			
027	263005-3	RUBBER PIN 6		1			
028-1	911258-5	PAN HEAD SCREW M5X35		3			
029	211019-6	BALL BEARING 626		1			
030	263002-9	RUBBER PIN 4		1			
031-1	911278-9	PAN HEAD SCREW M5X55		2			
032	211019-6	BALL BEARING 626		1			
033	153168-2	GEAR COMPLETE 64		1			
034	934301-3	WING NUT M6		1			
035	253196-8	FLAT WASHER 6		1			
036	343434-7	DEPTH GUIDE		1			
037	961018-5	STOP RING E-5		1			
038	855929-3	NAME PLATE 9741		1			
039	643600-9	BRUSH HOLDER CAP 6-10		2			
040C_	181030-1	CARBON BRUSH CB-100		1			

041	251323-1	+ PAN HEAD SCREW M4		1		
042	253308-3	THIN WASHER 6		1		
043	343436-3	COVER PLATE		1		
044	253980-1	WAVE WASHER 14		1		
045	253874-0	FLAT WASHER 4		1		
046	157798-1	HOUSING		1		
C10	643603-3	BRUSH HOLDER 6-10		2	*	
C11	643609-1	BRUSH HOLDER 6-10	O	2		
C20	816689-2	INDICATION LABEL		1		
C30	817895-2	CAUTION LABEL		1		
D10		INC. 20,56				
047	251919-8	CAP SQUARE NECK BOLT M6X20		1		
048	162134-8	FRONT ROLLER		1		
049	256655-1	PIN 7		1		
050	343435-5	PLATE		1		
051	322071-0	ARBOR		1		
052	410957-1	BAFFLE PLATE		1		
053-1	911285-2	PAN HEAD SCREW M5X60		2		
054F_	527414-3	FIELD ASS'Y 220V		1		
C10	654019-7	RING TERMINAL		2		
C20	654501-6	CONNECTOR P-1.25		2		
055	262515-7	SLEEVE 6		1		
056	262515-7	SLEEVE 6		1		
057	911153-9	PAN HEAD SCREW M4X28		4		
058	410954-7	HANDLE COVER		1		
059	162133-0	ROLLER		1		
060	911133-5	PAN HEAD SCREW M4X18		2		
061B_	687031-2	STRAIN RELIEF		1		
062	423096-8	SPONGE SEAL		1		
063B_	682516-3	CORD GUARD 9.3-85		1	*	
063B1	682504-0	CORD GUARD 10-85	O	1		
064N_	665883-1	POWER SUPPLY CORD 1.0-2-5.0		1		
065	651332-4	SWITCH SGEL210R-4		1	*	
065-1	651332-4	SWITCH SGEL210R-4	O	1		
066	421323-7	SWITCH COVER		1		
067B_	645200-1	NOISE SUPPRESSOR		1		
068	941152-7	FLAT WASHER 6		2		
400	410899-9	JOINT		1		
401	783204-6	HEX. WRENCH 6		2		
E02	683248-5	POLYETHYLENE TUBE		1		

Please state Parts No. when your order.

Print Date 10/10/2023