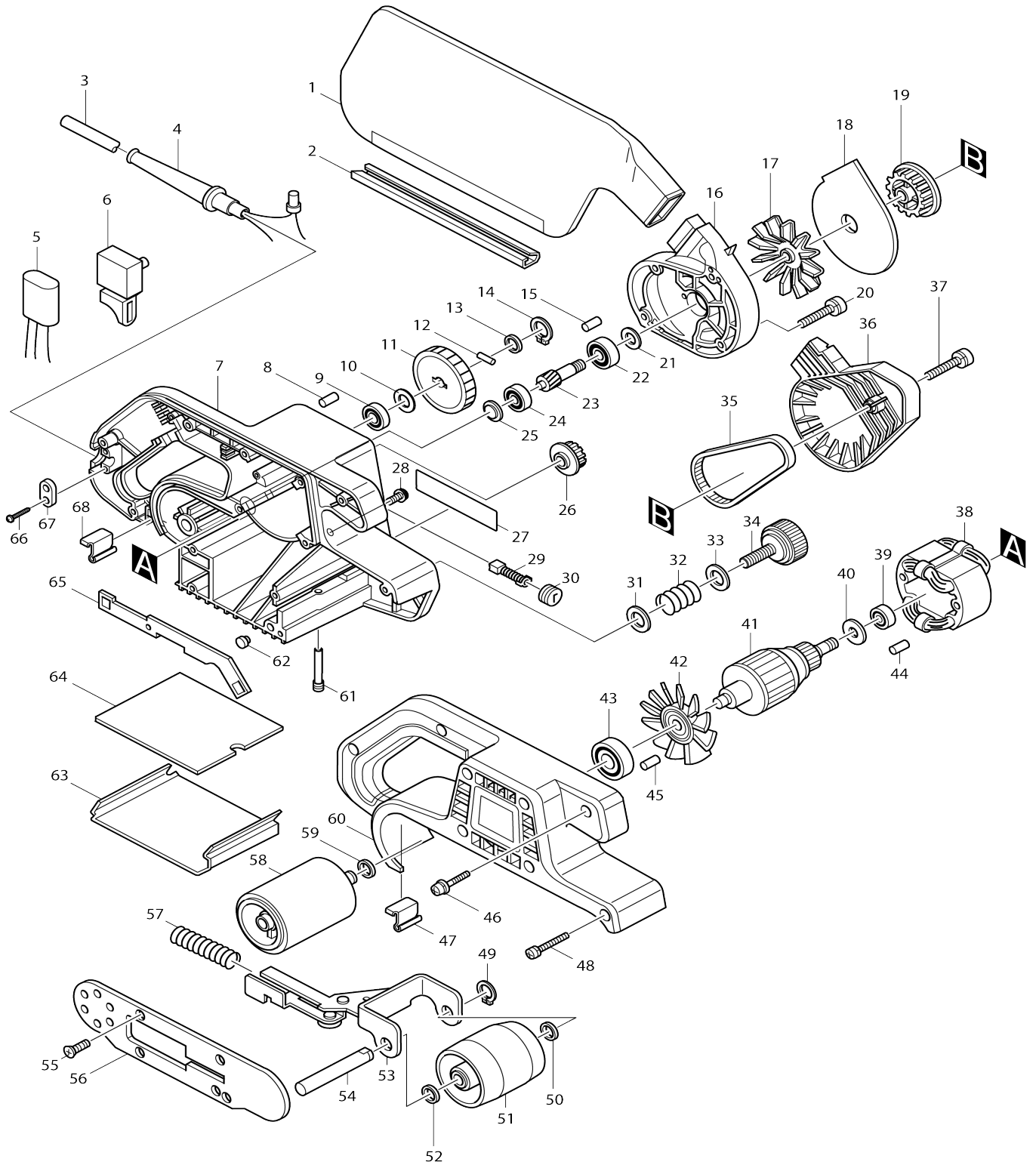


Model No.9901 BELT SANDER 76MM



Model No.9901 BELT SANDER 76MM

Item No.	Parts No.	Description	Interchangability	Q'ty	New/Old	Note1	Note2
001	122329-5	DUST BAG ASS'Y		1			
D10		INC. 2					
002	410602-8	FASTENER		1			
003T_	665852-2	POWER SUPPLY CORD 1.0-2-2.0		1			
004B_	682516-3	CORD GUARD 9.3-85		1	*		
004B1	682504-0	CORD GUARD 10-85	O	1			
005B_	645200-1	NOISE SUPPRESSOR		1			
006B_	651235-2	SWITCH C2M-A1T		1	*		
006B1	651225-5	SWITCH SGEL215C	S	1			
007	157668-4	MOTOR HOUSING (L)		1	*		
C10	214059-3	PLANE BEARING 10		1	*		
C20	643603-3	BRUSH HOLDER 6-10		2	*		
D10		INC. 8,44					
007-1	159773-3	MOTOR HOUSING (L)	S	1			
C10	214059-3	PLANE BEARING 10		1			
C20	643603-3	BRUSH HOLDER 6-10		2	*		
C21	643609-1	BRUSH HOLDER 6-10	O	2			
D10		INC. 8,44					
008	263002-9	RUBBER PIN 4		1			
009	211064-1	BALL BEARING 6000		1			
010	253758-2	FLAT WASHER 10		1			
011	221749-1	HELICAL GEAR 67		1			
012	256101-4	PIN 3		1			
013	253310-6	THIN WASHER 10		5			
014	961006-2	RETAINING RING S-10		1			
015	263002-9	RUBBER PIN 4		1			
016-1	152384-3	BRACKET		1			
D10		INC. 15					
017-2	241856-4	FAN 72		1			
018	343356-1	DUST COVER		1			
019-2	222122-8	PULLEY 10-38.3		1			
020	911143-2	PAN HEAD SCREW M4X22		4			
021	253139-0	FLAT WASHER 8		1			
022	210002-0	BALL BEARING 608LH		1			
023-2	221786-5	HELICAL GEAR 11		1			
024	211019-6	BALL BEARING 626		1			
025	286026-8	CAP 18		1			
026-2	222121-0	PULLEY 10-22.1 (L)		1			
027	855842-5	NAME PLATE 9901		1			
028	911209-8	PAN HEAD SCREW M5X10		1			
029A1	181030-1	CARBON BRUSH CB-100		1			
030	643600-9	BRUSH HOLDER CAP 6-10		2			
031	253707-9	FLAT WASHER 16		1			
032	231225-7	COMPRESSION SPRING 16		1			
033	253707-9	FLAT WASHER 16		1			
034	251815-0	SCREW M6X25		1	*		
034-1	265B65-3	THUMB SCREW M6X27	S	1			

035	225064-5	BELT 8-269		1		
036	410787-0	BELT COVER		1		
037	911243-8	PAN HEAD SCREW M5X25		1		
038C_	522643-3	FIELD ASS'Y 220V		1		
C10	654019-7	RING TERMINAL		2		
C20	654501-6	CONNECTOR P-1.25		2		
039-1	210005-4	BALL BEARING 608DDW		1		
040-1	253778-6	FLAT WASHER 8		1		
041F1	518618-8	ARMATURE ASS'Y 220V		1		
D10		INC. 39,40,42,43				
042	241833-6	FAN 70		1		
043	211033-2	BALL BEARING 608LB		1		
044	263002-9	RUBBER PIN 4		1		
045	263002-9	RUBBER PIN 4		1		
046	911243-8	PAN HEAD SCREW M5X25		4		
047	232092-3	LEAF SPRING		1		
048	911263-2	PAN HEAD SCREW M5X40		5		
049	961006-2	RETAINING RING S-10		1		
050	253981-9	CUP WASHER 10		1		
051-1	152319-4	TENSION ROLLER COMPLETE		1		
052	253981-9	CUP WASHER 10		1		
053	163257-5	TENSION ROLLER ARM		1		
054	321979-5	TENSION ROLLER SHAFT		1		
055	912131-2	COUNTERSUNK HEAD SCREW M4 X18		4		
056	343353-7	SAFETY PLATE		1		
057	231033-6	COMPRESSION SPRING 11		1		
058	168157-4	DRIVING ROLLER		1		
059	253758-2	FLAT WASHER 10		1	*	
059-1	267728-5	CUP WASHER 10	O	1		
060	157669-2	MOTOR HOUSING (R)		1		
C10	819053-6	MAKITA LABEL		1		
D10		INC. 45				
061	321980-0	SUPPORT PIN		1		
062	411594-4	SHOE		1	*	
063	343355-3	STEEL PLATE		1		
064	423149-3	CORK RUBBER PLATE		1		
065	155873-7	EDGE SLIDER		1		
066-1	911133-5	PAN HEAD SCREW M4X18		2	*	
066-2	265995-6	TAPPING SCREW 4X18	X	2		
067F_	687063-9	CORD CLAMP		1	*	
067F1	687052-4	STRAIN RELIEF	X	1		
068	232092-3	LEAF SPRING		1		
400	794121-5	ABRASIVE BELT 76X533 WA80		1		

Please state Parts No. when your order.

Print Date 10/10/2023