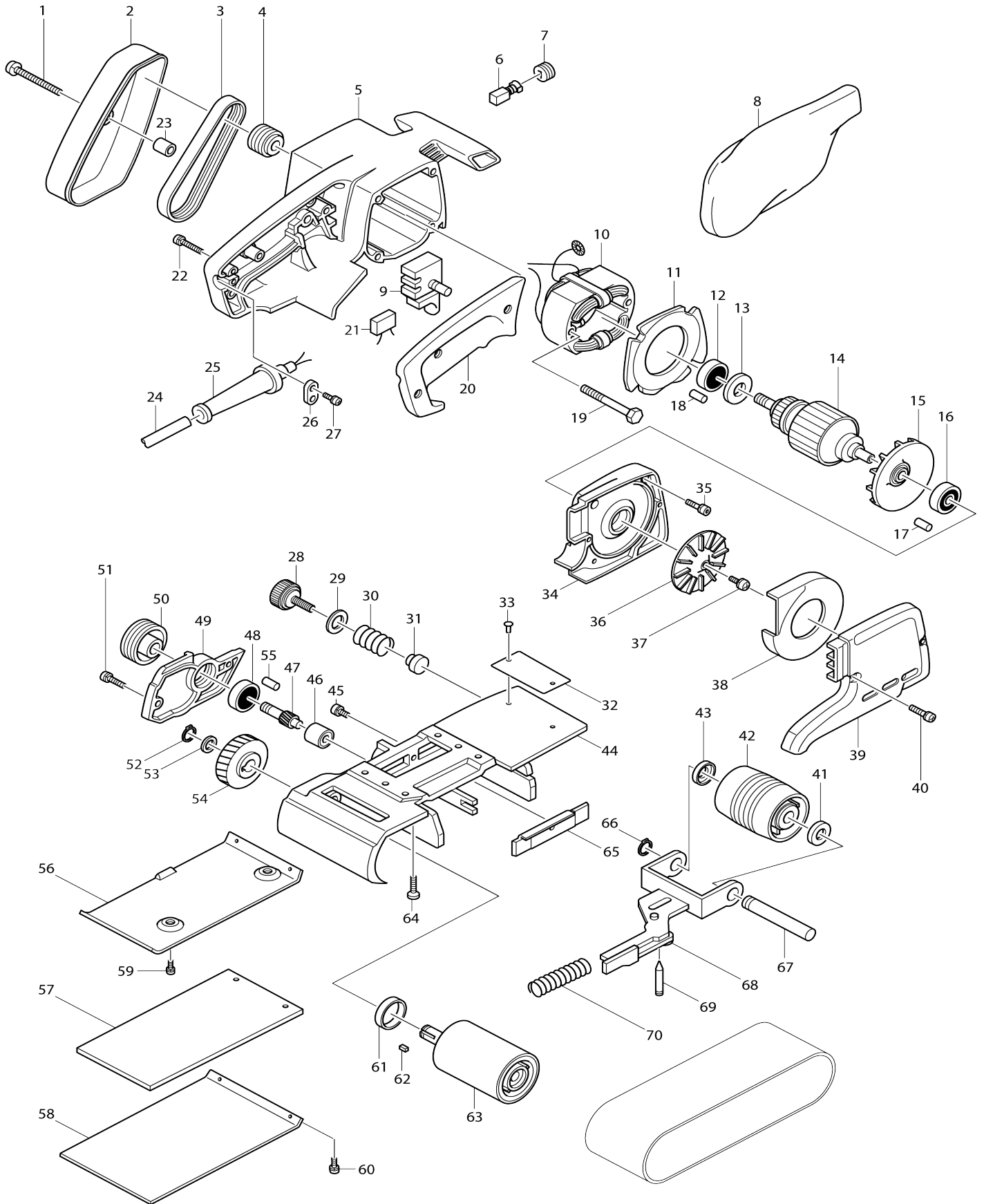


Model No.9924DB BELT SANDER 76MM



Model No.9924DB BELT SANDER 76MM

Item No.	Parts No.	Description	Interchangability	Q'ty	New/Old	Note1	Note2
001	911261-6	PAN HEAD SCREW M5X40		1			
002	343270-1	BELT COVER		1	*		
002-1	347B53-3	BELT COVER	O	1			
003	225008-5	POLY V-BELT 5-304		1			
004	222010-9	V-PULLEY 5-25L		1			
005	156490-6	MOTOR HOUSING COMPLETE		1			
C10	643603-3	BRUSH HOLDER 6-10		2	*		
C11	643609-1	BRUSH HOLDER 6-10	O	2			
D10		INC. 18					
006B_	181030-1	CARBON BRUSH CB-100		1			
007	643600-9	BRUSH HOLDER CAP 6-10		2			
008-1	122296-4	DUST BAG ASS'Y		1			
C10	410602-8	FASTENER		1			
009H_	651235-2	SWITCH C2M-A1T		1	*		
009H1	651225-5	SWITCH SGEL215C	S	1			
010I_	528353-0	FIELD ASS'Y 220V		1	*		
C10	654019-7	RING TERMINAL		2	*		
C20	654502-4	CONNECTOR P-2		2	*		
010I1	528353-0	FIELD ASS'Y 220V	O	1			
C10	654019-7	RING TERMINAL		2			
C20	654502-4	CONNECTOR P-2		2			
011	411322-7	BAFFLE PLATE		1			
012	211066-7	BALL BEARING 6200LLB		1			
013-1	681623-9	INSULATION WASHER		1			
014C_	513294-3	ARMATURE ASS'Y 220V		1			
D10		INC. 12,13,15,16					
015	241809-3	FAN 75		1			
016-1	211087-9	BALL BEARING 6200DDW		1			
017	263002-9	RUBBER PIN 4		1	*		
018	263002-9	RUBBER PIN 4		1			
019-1	911270-5	PAN HEAD SCREW M5X45		2			
020	411321-9	HANDLE COVER		1			
021B_	645209-3	NOISE SUPPRESSOR		1	*		
021B1	645253-0	NOISE SUPPRESSOR	O	1			
022	911158-9	PAN HEAD SCREW M4X30		3			
023	257504-5	SLEEVE 6		1			
024S1	665883-1	POWER SUPPLY CORD 1.0-2-5.0		1			
025-1	682516-3	CORD GUARD 9.3-85		1	*		
025-2	682504-0	CORD GUARD 10-85	O	1			
026C_	687031-2	STRAIN RELIEF		1			
027-1	911133-5	PAN HEAD SCREW M4X18		2			
028	251815-0	SCREW M6X25		1	*		
028-1	265B65-3	THUMB SCREW M6X27	S	1			
029	253707-9	FLAT WASHER 16		1	*		
030	231225-7	COMPRESSION SPRING 16		1	*		
030-1	232573-7	COMPRESSION SPRING 16	S	1			
031	411594-4	SHOE		1	*		

032	815254-4	NAME PLATE 9924DB		1	*		
032-1	862386-8	NAME PLATE 9924DB	<	1			
033	953106-2	RIVET 0-5		2	*		
034	152208-3	DUST COLLECTOR BRACKET		1	*		
D10		INC. 17					
034-1	312810-6	DUST COLLECTOR BRACKET	O	1	*		
034-2	312E26-3	DUST COLLECTOR BRACKET	O	1			
035	911241-2	PAN HEAD SCREW M5X25		4			
036	241611-4	FAN 74		1			
037	911211-1	PAN HEAD SCREW M5X12		1			
038	343271-9	SEPARATOR		1			
039	312809-1	DUST COLLECTOR COVER		1	*		
039-1	312E27-1	DUST COLLECTOR COVER	O	1			
040	911131-9	PAN HEAD SCREW M4X18		2			
041	253922-5	CUP WASHER 12		1			
042	152104-5	TENSION ROLLER COMPLETE		1			
C10	214101-0	PLANE BEARING 12		2			
C20	413012-8	SPONGE SHEET 30-47		1			
043	253922-5	CUP WASHER 12		1			
044-1	151189-8	FRAME COMPLETE		1	*		
044-2	151189-8	FRAME COMPLETE	<	1	*		
044-3	151189-8	FRAME COMPLETE	O	1	*		
044-4	141R36-9	FRAME COMPLETE	O	1			
045	911211-1	PAN HEAD SCREW M5X12		1			
046	212003-4	NEEDLE BEARING 810		1			
047	221193-2	HELICAL GEAR 10		1			
048	211066-7	BALL BEARING 6200LLB		1			
049	152206-7	GEAR COVER COMPLETE		1	*		
D10		INC. 55					
049-1	312808-3	GEAR COVER	O	1	*		
049-2	312E28-9	GEAR COVER	O	1			
050	222011-7	V-PULLEY 5-45		1			
051	911131-9	PAN HEAD SCREW M4X18		2			
052	961052-5	RETAINING RING (EXT) S-12		1			
053	253312-2	THIN WASHER 12		2	*		
053-1	253312-2	THIN WASHER 12	O	4			
054	221070-8	HELICAL GEAR 48		1			
055	263002-9	RUBBER PIN 4		1	*		
056	341647-4	BASE PLATE		1			
057	423035-8	CORK RUBBER PLATE		1			
058	423036-6	CARBON PLATE 98MM		1			
059	911111-5	PAN HEAD SCREW M4X10 WITH W		2			
060	911114-9	PAN HEAD SCREW M4X10		2			
061	253922-5	CUP WASHER 12		1			
062	254202-2	KEY 4		1			
063A_	151347-6	DRIVING ROLLER COMPLETE		1			
C10	325044-2	DRIVING ROLLER SHAFT		1			
064	912227-9	COUNTERSUNK HEAD SCREW M5 X18		6			
065-1	155326-6	EDGE SLIDER		1			
066	961052-5	RETAINING RING (EXT) S-12		1			

067	325458-5	TENSION ROLLER SHAFT		1		
068	163104-0	TENSION ROLLER ARM		1		
069	323634-5	SUPPORT PIN		1		
070	231033-6	COMPRESSION SPRING 11		1		
400	423036-6	CARBON PLATE 98MM		1		
401	794239-2	ABRASIVE BELT 76X610 WA80		1	*	
401-1	D-67169	ABRASIVEBELT WOOD 76X610	O	1		

Please state Parts No. when your order.

Print Date 10/10/2023