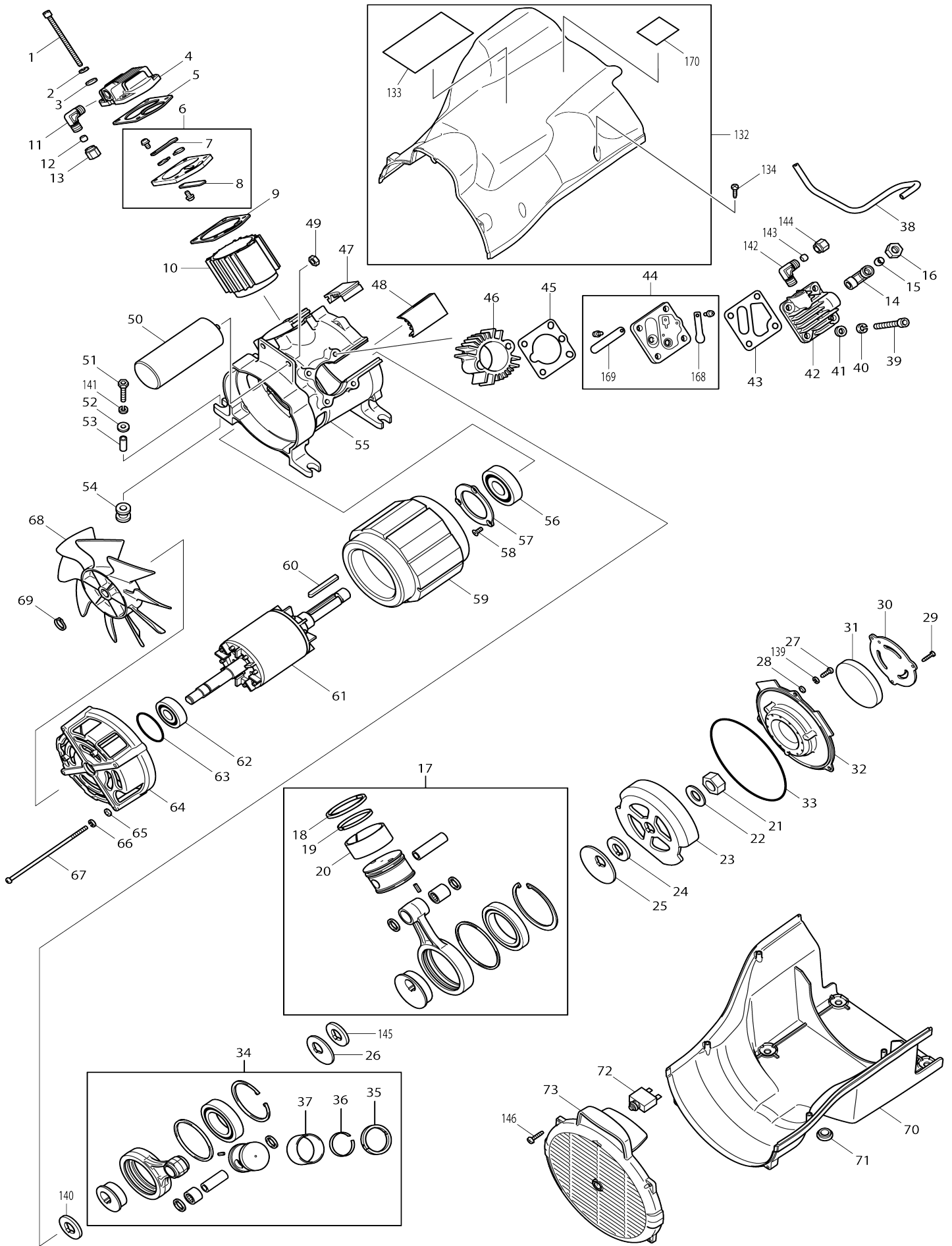
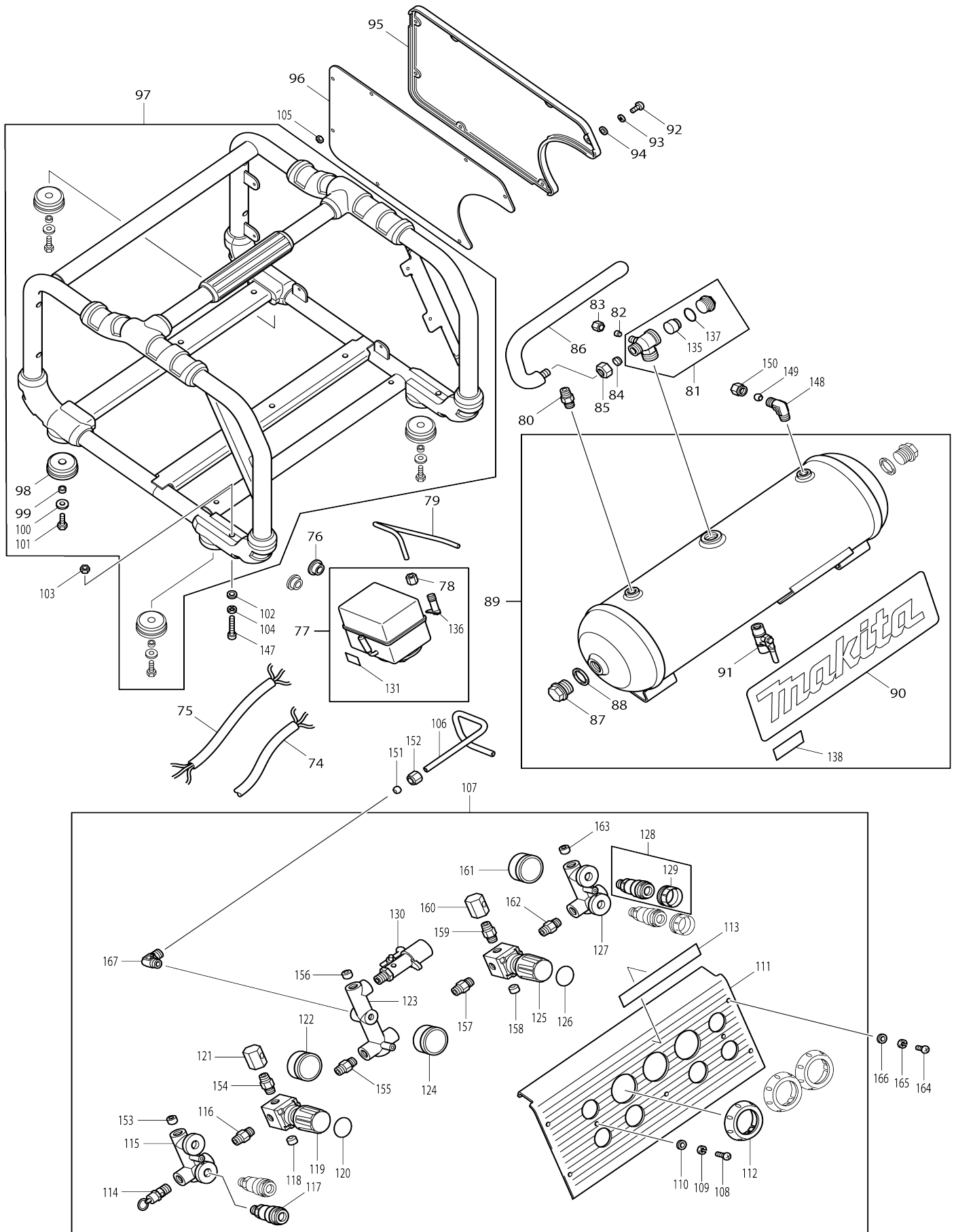


Model No.AC310H AIR COMPRESSOR



Model No.AC310H AIR COMPRESSOR



Model No.AC310H AIR COMPRESSOR

Item No.	Parts No.	Description	Interchangability	Q'ty	New/Old	Note1	Note2
001	HY00000213	HEX SOCKET HEAD BOLT M6X90		4			
002	HY00000214	SPRING WASHER 6		4			
003	HY00000215	FLAT WASHER 6		4			
004	HY00000216	CYLINDER HEAD L		1			
005	HY00000217	HEAD GASKET L		1			
006	HY00000218	VALVE PLATE L COMPLETE		1			
007	HY00000219	OUTLET VALVE		1			
008	HY00000220	INLET VALVE		1			
009	HY00000221	CYLINDER GASKET L		1			
010	HY00000223	CYLINDER L (50HZ)		1			
011	HY00000224	ELBOW 8-R1/4		1			
012	HY00000225	RING 8		1			
013	HY00000226	RING NUT 8		1			
014	HY00000227	ELBOW 10-R3/8		1			
015	HY00000228	RING 10		1			
016	HY00000229	RING NUT 10		1			
017	HY00000230	CONNECTING ROD L ASSEMBLY		1			
018	HY00000231	SHEET RING L		1			
019	HY00000232	LEAF SPRING L		1			
020	HY00000233	WEARING L		1			
021	HY00000234	HEX NUT M18		1			
022	HY00000235	CONED DISC SPRING 18		1			
023	HY00000237	BALANCER (50HZ)		1			
024	HY00000238	SPACER		1			
025	HY00000239	CRANK SPACER L		1			
026	HY00000240	CRANK SPACER H		1			
027	HY00000241	PAN HEAD SCREW M5X16		3			
028	HY00000242	FLAT WASHER 5		3			
029	HY00000243	TAPPING SCREW 4X18		3			
030	HY00000244	FILTER COVER		1			
031	HY00000245	FILTER		1			
032	HY00000246	CRANK CASE COVER		1			
033	HY00000247	O-RING 147		1			
034	HY00000248	CONNECTING ROD H ASSEMBLY		1			
035	HY00000249	SHEET RING H		1			
036	HY00000250	LEAF SPRING H		1			
037	HY00000251	WEARING H		1			
038	HY00000252	PIPE 8		1			
039	HY00000253	HEX SOCKET HEAD BOLT M8X70		4			
040	HY00000254	FLAT WASHER 8		4			
041	HY00000255	SPRING WASHER 8		4			
042	HY00000256	CYLINDER HEAD H		1			
043	HY00000257	HEAD GASKET H		1			
044	HY00000258	VALVE PLATE H COMPLETE		1			
045	HY00000259	CYLINDER GASKET H		1			
046	HY00000261	CYLINDER H (50HZ)		1			
047	HY00000262	STAFFING L		1			

048	HY00000263	STAFFING H		1		
049	HY00000264	HEX NUT M8		1		
050	HY00000266	CAPACITOR RUN ASSEMBLY		1		
051	HY00000267	HEX SOCKET HEAD BOLT M6X40		4		
052	HY00000268	FLAT WASHER 6		4		
053	HY00000269	SLEEVE 6		4		
054	HY00000270	CUSHION		4		
055	HY00000271	CRANK CASE		1		
056	HY00000272	BALL BEARING 6305LLB		1		
057	HY00000273	BEARING RETAINER		1		
058	HY00000274	COUNTERSUNK HEAD SCREW M5 X12		3		
059	HY00000276	STATOR		1		
060	HY00000277	KEY 6		1		
061	HY00000278	ROTOR		1		
062	HY00000279	BALL BEARING 6303LLB		1		
063	HY00000280	O-RING 49		1		
064	HY00000281	REAR BRACKET		1		
065	HY00000242	FLAT WASHER 5		4		
066	HY00000282	SPRING WASHER 5		4		
067	HY00000283	HEX BOLT M5X146		4		
068	HY00000284	FAN 195		1		
069	HY00000285	RETAINING RING 14		1		
070	HY00000286	MOTOR COVER B		1		
071	HY00000287	BUSHING		1		
072	HY00000289	THERMAL CIRCUIT BREAKER		1		
073	HY00000290	MOTOR COVER C		1		
074	HY00000292	POWER SUPPLY CORD		1		
075	HY00000295	CORD		1		
076	HY00000297	CORD CRAMP		2		
077	HY00000299	SWITCH ASSEMBLY		1		
078	HY00000300	RING NUT 6		1		
079	HY00000301	PIPE 6		1		
080	HY00000302	BARREL NIPPLE R1/4-25		1		
081	HY00000303	CHECK VALVE		1		
082	HY00000304	RING 6		1		
083	HY00000305	RING NUT 6		1		
084	HY00000228	RING 10		1		
085	HY00000229	RING NUT 10		1		
086	HY00000306	PIPE 10		1		
087	HY00000307	HEX FLANGE BOLT G1/2(PF1/2)		2	*	
087-1	HY00000307	HEX FLANGE BOLT G1/2(PF1/2)	O	2	*	
087-2	HY00000307	HEX FLANGE BOLT G1/2(PF1/2)	O	2		
088	HY00000308	RUBBER SEAL 20		2		
089	HY00000310	TANK COMPLETE		1		
090	HY00000311	INDICATION LABEL		1		
091	HY00000312	DRAIN VALVE R3/8		1	*	
091-1	HY00000312	DRAIN VALVE R3/8	O	1	*	
091-2	HY00000312	DRAIN VALVE R3/8	O	1	*	
091-3	HY00000312	DRAIN VALVE R3/8	O	1		
092	HY00000313	PAN HEAD SCREW M5X10		7		
093	HY00000282	SPRING WASHER 5		7		

094	HY00000242	FLAT WASHER 5		7		
095	HY00000314	SIDE PANEL COVER		1		
096	HY00000315	SIDE PANEL		1		
097	HY00000316	FRAME COMPLETE		1		
098	HY00000317	FOOT		4		
099	HY00000318	SLEEVE 6		4		
100	HY00000319	FLAT WASHER 6		4		
101	HY00000320	HEX SOCKET HEAD BOLT M6X12		4		
102	HY00000215	FLAT WASHER 6		4		
103	HY00000321	HEX NUT M6		8		
104	HY00000214	SPRING WASHER 6		4		
105	HY00000322	HEX NUT M5		2		
106	HY00000323	PIPE 8		1		
107	HY00000325	FRONT PANEL ASSY (RC1/4)		1		
108	HY00000241	PAN HEAD SCREW M5X16		3		
109	HY00000282	SPRING WASHER 5		3		
110	HY00000242	FLAT WASHER 5		3		
111	HY00000327	FRONT PANEL		1		
112	HY00000328	GAUGE COVER		3		
113	HY00000329	INDICATION LABEL		1		
114	HY00000331	SAFETY VALVE COMPLETE 10		1		
115	HY00000333	MANIFOLD L (RC1/4)		1		
116	HY00000336	BARREL NIPPLE R1/4-30		1		
117	HY00000338	QUICK COUPLER L R1/4		2	*	
117-1	HY00000338	QUICK COUPLER L R1/4	O	2		
118	HY00000340	TAPER SCREW PLUG R 1/4		1		
119	HY00000341	REGULATOR L		1		
120	HY00000342	INDICATION LABEL		1		
121	HY00000343	PRESSURE GAUGE JOINT		1		
122	HY00000344	PRESSURE GAUGE L		1		
123	HY00000346	MANIFOLD A (RC1/4)		1		
124	HY00000347	PRESSURE GAUGE H		1		
125	HY00000348	REGULATOR H		1		
126	HY00000349	INDICATION LABEL		1		
127	HY00000350	MANIFOLD H		1		
128	HY00000351	QUICK COUPLER H R1/4 LEFT SC RE		2		
129	HY00000352	RUBBER SLEEVE		2		
130	HY00000354	SAFETY VALVE COMPLETE 30		1		
131	HY00000355	INDICATION LABEL		1		
132	HY00000357	MOTOR COVER A COMPLETE		1		
133	HY00000360	CAUTION LABEL		1		
134	HY00000243	TAPPING SCREW 4X18		4		
135	HY00000361	CHECK VALVE		1		
136	HY00000362	UNLOADING VALVE		1		
137	HY00000363	O-RING 17		1		
139	HY00000282	SPRING WASHER 5		3		
140	HY00000238	SPACER		1		
141	HY00000214	SPRING WASHER 6		4		
142	HY00000224	ELBOW 8-R1/4		1		
143	HY00000225	RING 8		1		
144	HY00000226	RING NUT 8		1		

145	HY00000238	SPACER		1		
146	HY00000243	TAPPING SCREW 4X18		5		
147	HY00000267	HEX SOCKET HEAD BOLT M6X40		4		
148	HY00000224	ELBOW 8-R1/4		1		
149	HY00000225	RING 8		1		
150	HY00000226	RING NUT 8		1		
151	HY00000225	RING 8		1		
152	HY00000226	RING NUT 8		1		
153	HY00000340	TAPER SCREW PLUG R 1/4		1		
154	HY00000336	BARREL NIPPLE R1/4-30		1		
155	HY00000336	BARREL NIPPLE R1/4-30		1		
156	HY00000340	TAPER SCREW PLUG R 1/4		1		
157	HY00000336	BARREL NIPPLE R1/4-30		1		
158	HY00000340	TAPER SCREW PLUG R 1/4		1		
159	HY00000336	BARREL NIPPLE R1/4-30		1		
160	HY00000343	PRESSURE GAUGE JOINT		1		
161	HY00000347	PRESSURE GAUGE H		1		
162	HY00000336	BARREL NIPPLE R1/4-30		1		
163	HY00000340	TAPER SCREW PLUG R 1/4		1		
164	HY00000313	PAN HEAD SCREW M5X10		4		
165	HY00000282	SPRING WASHER 5		4		
166	HY00000242	FLAT WASHER 5		4		
167	HY00000224	ELBOW 8-R1/4		1		
168	HY00000219	OUTLET VALVE		1		
169	HY00000220	INLET VALVE		1		
171	HY00000365	CARTON		1		
172	HY00000366	CASTER ASSEMBLY		1	*	
C10	HY00000369	CASTER		2	*	

Please state Parts No. when your order.

Print Date 10/10/2023