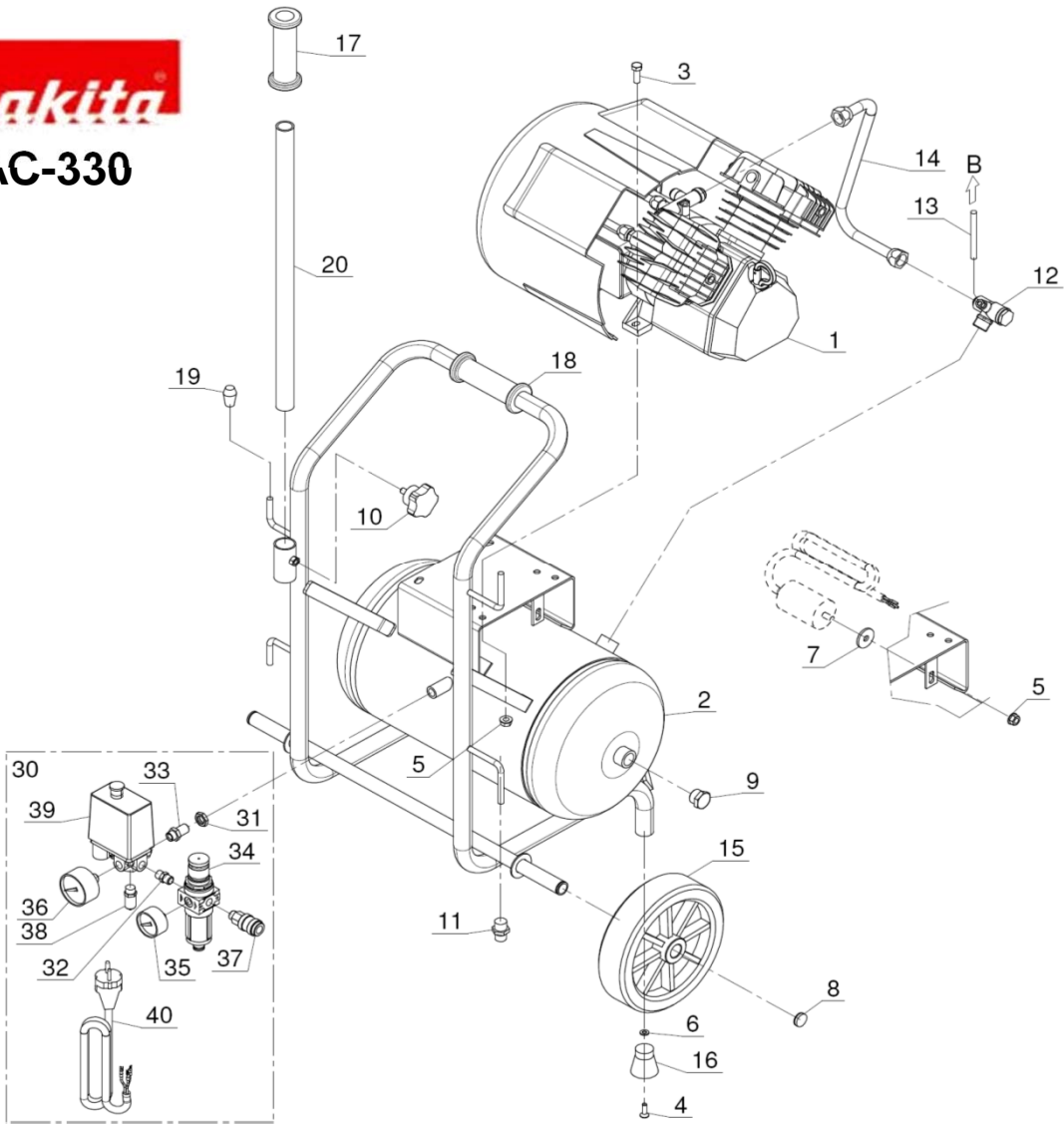




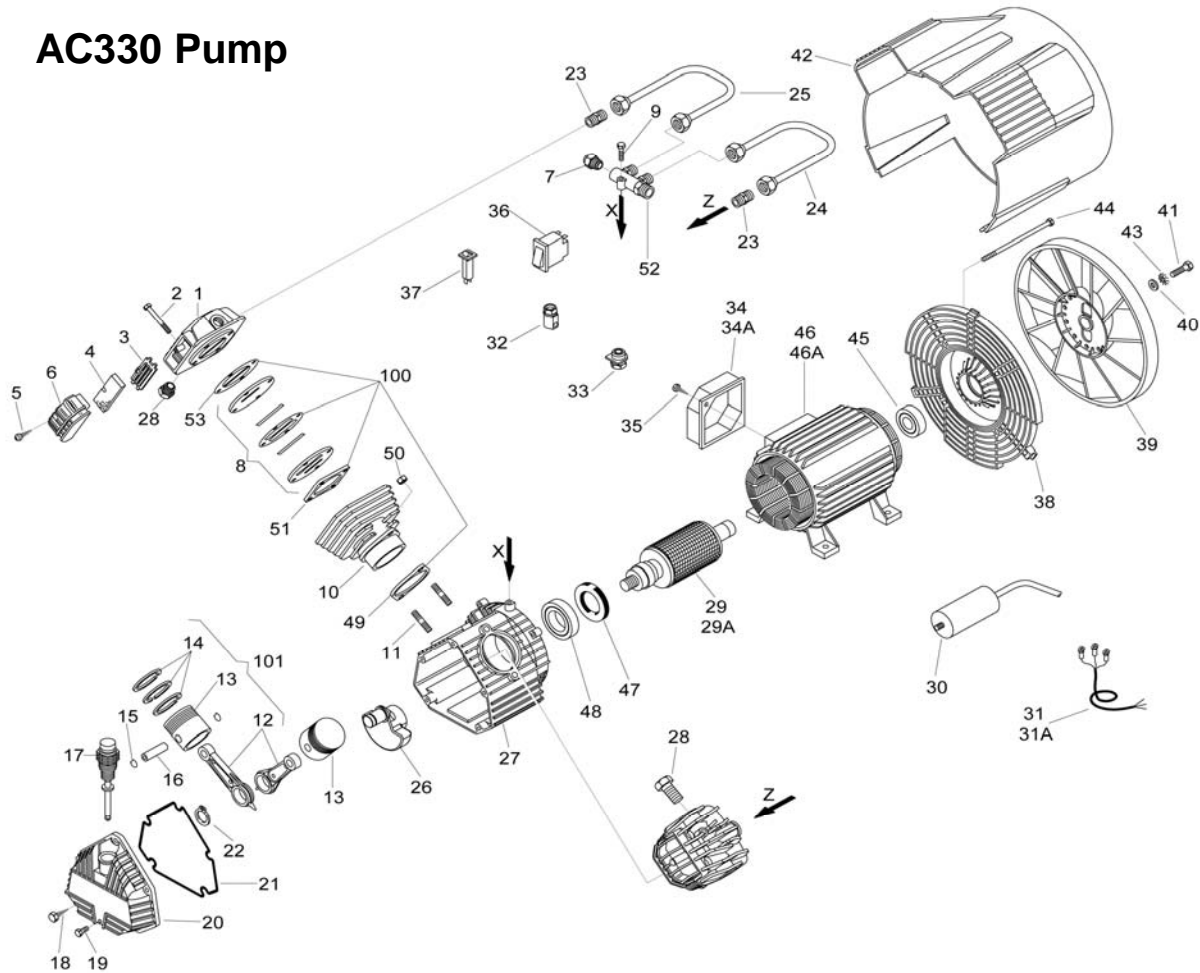
AC-330



REF.	CODE	QT	DESCRIPTION	REF.	CODE	QT	DESCRIPTION
1	2027002000	1	Pump unit				
2	5158470008	1	Tank				
3	7011100000	4	Screw				
4	7012740000	2	Screw				
5	7020240000	5	Nut				
6	7030020000	2	Washer				
7	7030970000	1	Washer				
8	7042020000	2	Internal snapping				
9	7090030000	2	Plug				
10	7101640000	1	Knob				
11	7130580000	1	Tap				
12	7190190000	1	Non return valve				
13	7230010000	1	Rilsan hose				
14	7236360000	1	Infeed hose				
15	7260400000	2	Wheel				
16	7270010000	2	Rubber Foot				
17	7280030000	1	Handle				
18	7280050000	1	Handle				
19	7360460000	4	Rubber				
20	7398510000	1	Handle				
30	4055620000	1	Press. Switch kit				
31	7023040000	1	Locking nut				
32	7081090000	1	Joint				
33	7081140000	1	Joint				
34	7100380000	1	Pressure reducer				
35	7110240000	1	Pressure gauge				
36	7110300000	1	Pressure gauge				
37	7130660000	1	Universal Tap				
38	7192010000	1	Safety valve				
39	7250740000	1	Pressure switch				
40	7329070000	1	Infeed cable				

VALID FROM 23.8.2011 - (REV-00)

AC330 Pump



REF.	CODE	QT	DESCRIPTION	REF.	CODE	QT	DESCRIPTION
1	5030250008	2	Head	38	7640010000	1	Cover
2	7011220000	8	Screw	39	7200340000	1	Fan
3	7458340000	2	Filter plate	40	7038020000	1	Washer
4	7210010000	2	Filtering element	41	7011090000	1	Screw
5	7012010000	2	Screw	42	7150370000	1	Housing
6	7210180000	2	Intake filter	43	7031010000	1	Washer
7	7196000000	1	START valve	44	7015100000	4	Tension rod
8	7459490000	2	Valve plate	45	7060030000	1	Bearing
9	7010120000	1	Screw	46	4011450000	1	Motor
10	5060160008	2	Cylinder	47	7071160000	1	SMIM ring
11	7015020000	4	Stud bolt	48	7060070000	1	Bearing
12	5050160008	2	Con rod	49	7078150000	2	Gasket/cylinder cran
13	7220050000	2	Piston	50	7020070000	4	Nut
14	4080030000	2	Piston rings	51	7078160000	2	Gasket/cylinder valv
15	7041030000	4	Ring	52	7089950000	1	Manifold
16	7050030000	2	Piston pin	53	7078580000	2	Gasket head/valve p.
17	7181060000	1	Oil level				
18	7012180000	5	Screw	100	4082080000	2	Set of gasket
19	7011460000	1	Screw	101	4191040000	2	Set Con rod/Piston
20	7650010000	1	Carter cover				
21	7078440000	1	Gasket				
22	7040040000	1	Seeger				
23	7081100000	2	Joint				
24	7237010000	1	Tube dx.				
25	7237020000	1	Tube dx.				
26	5041390008	1	Counter weight				
27	5070180008	1	Carter				
28	7090080000	2	Plug				
29	4280860000	1	Single phase rotor				
30	7310410000	1	Capacitor				
31	7329900000	1	Single phase cable				
31A	7329870000	1	Three phase cable				
32	7501050000	1	Stretch eliminator				
33	7501060000	1	Stretch eliminator				
34	7382340000	1	Single phase cover				
35	7012020000	2	Screw				
36	7410530000	1	3ph. thermal protec				
37	7410390000	1	1ph. thermal protect				

INVALID FROM 05/12/05 - (REV-02)