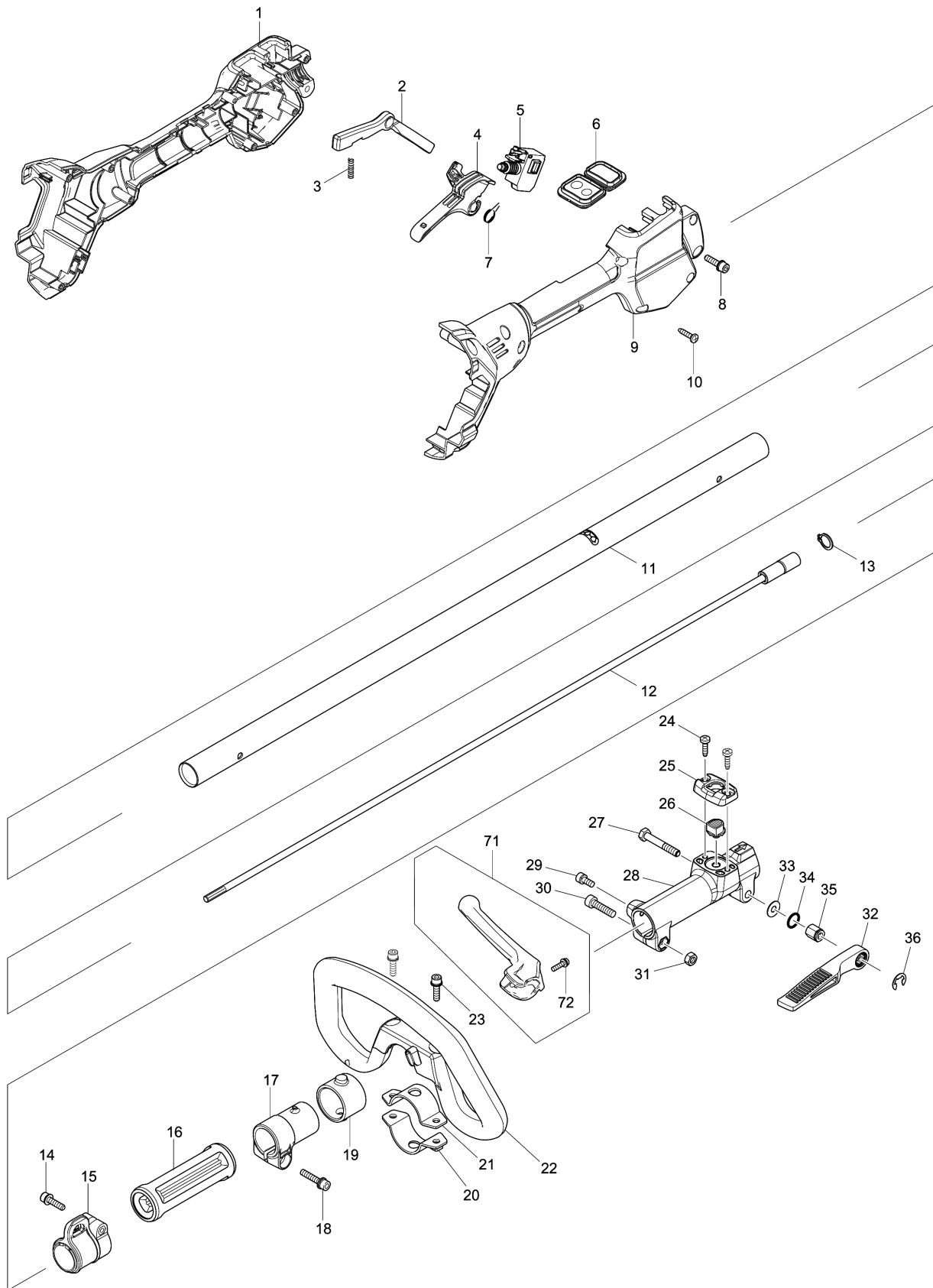
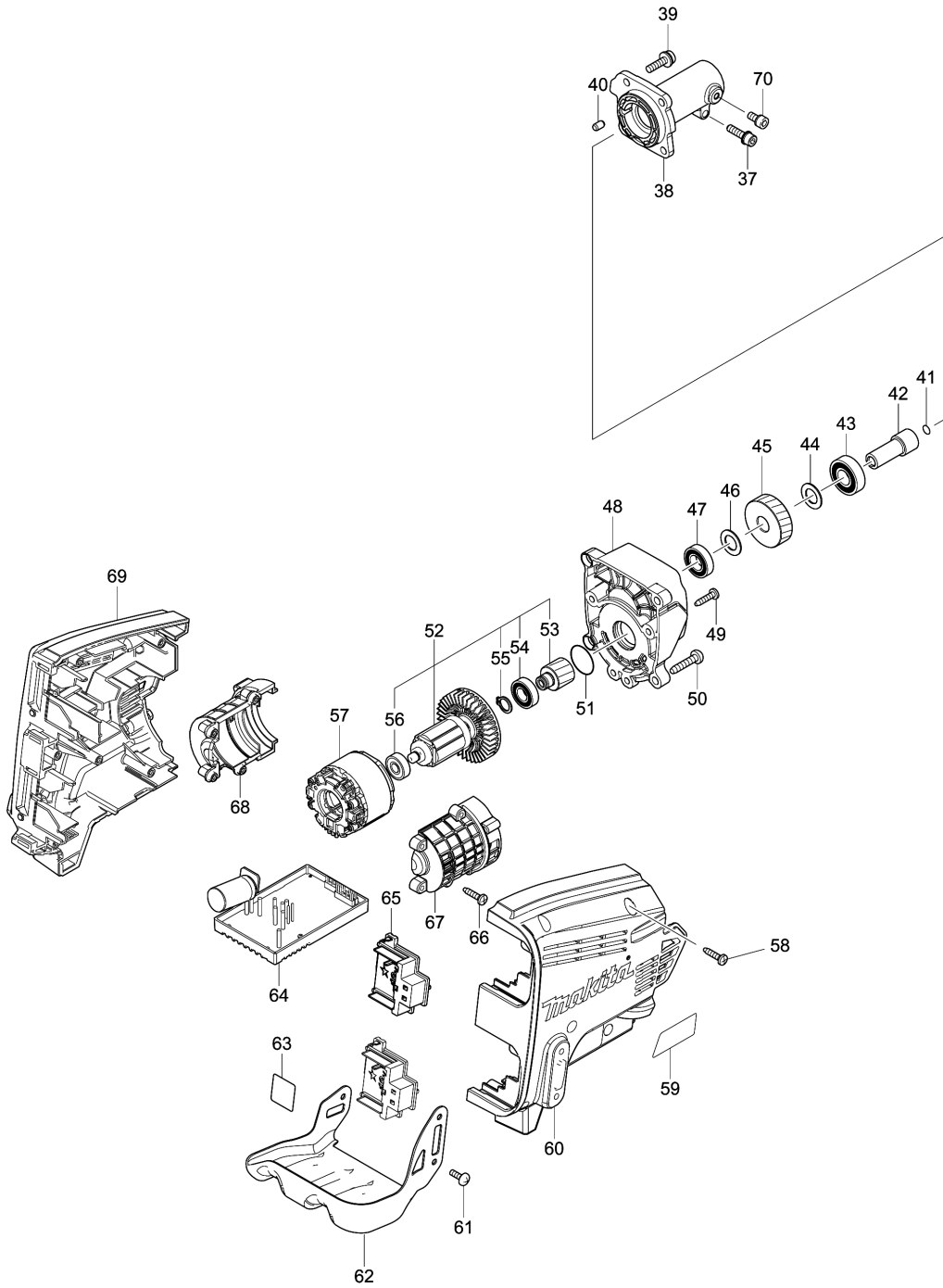


Model No.AC3611 CRDLSS MULTI FNCTN POWER HEAD



Model No.AC3611 CRDLSS MULTI FNCTN POWER HEAD



Model No.AC3611 CRDLSS MULTI FNCTN POWER HEAD

Item	Parts No.	Description	I/C	Qty	New/Old	Opt. 1	Opt. 2	Note
001	183G31-7	GRIP SET		1				
C10	931202-6	HEX. NUT M5		1				
D10		INC. 9						
002	457773-0	LOCK OFF LEVER		1				
003	233101-1	COMPRESSION SPRING 4		1				
004	457771-4	SWITCH LEVER		1				
005	650709-0	SWITCH C3JW-1A-P		1				
006	144570-0	SUB CONTROLLER COMPLETE		1	*			
006-1	141J14-1	SUB CONTROLLER COMPLETE	S	1				
007	233540-5	TORSION SPRING 11		1				
008	922233-6	H.S.H.BOLT M5X20 WITH WR		1				
009	183G31-7	GRIP SET		1				
C10	931202-6	HEX. NUT M5		1				
D10		INC. 1						
010	266326-2	TAPPING SCREW 4X18		8				
011	141499-1	SHAFT PIPE B COMPLETE		1				
C10	898125-0	CAUTION LABEL		1	*			
C11	8029L8-6	CAUTION LABEL	<	1				
012	141238-9	SHAFT B COMPLETE		1				
013	961052-5	RETAINING RING S-12		1				
014	922233-6	H.S.H.BOLT M5X20 WITH WR		1				
015	168478-4	HANGER		1				
C10	931202-6	HEX. NUT M5		1				
016	451601-1	SPACER 24		1				
017	457269-1	PIPE HOLDER 24		1				
018	922244-1	H.S.H.BOLT M5X25 WITH WG		1				
019	424942-8	DAMPER		1				
020	347114-7	LOWER CLAMP 35		1				
021	347113-9	UPPER CLAMP 35		1				
022	457772-2	LOOP HANDLE		1				
C10	263005-3	RUBBER PIN 6		1				
023	922233-6	H.S.H.BOLT M5X20 WITH WR		2				
024	266034-5	TAPPING SCREW CT 4X16		2				
025	452840-6	RELEASE BUTTON COVER		1				
026	452839-1	RELEASE BUTTON		1				
027	265596-0	HEX.BOLT M6X40		1				
028	318750-6	JOINT 24		1	*			
028-1	312D49-5	JOINT24	<	1				
029	922211-6	H.S.H.BOLT M5X12 WITH W		1				
030	922342-1	HEX. SOCKET HEAD BOLT M6X25		1				
031	931302-2	HEX. NUT M6		1				
032	272268-0	LEVER 94		1				
033	253332-6	THIN WASHER 6		1				
034	213105-9	O RING 11		1				

Please order the parts with part number.

Print Date 25/10/2023

Model No.AC3611 CRDLSS MULTI FNCTN POWER HEAD

Item	Parts No.	Description	I/C	Qty	New/Old	Opt. 1	Opt. 2	Note
035	252159-1	HEX. NUT M6		1				
036	961014-3	STOP RING E-8		1				
037	922233-6	H.S.H.BOLT M5X20 WITH WR		1				
038	319609-0	PIPE BRACKET		1	*			
038-1	319919-5	PIPE BRACKET	O	1				
039	911233-1	PAN HEAD SCREW M5X20		4				
040	263005-3	RUBBER PIN 6		1				
041	213045-1	O-RING 6		1				
042	325811-5	SPINDLE HUB		1				
043	211148-5	BALL BEARING 6001ZZ		1				
044	253744-3	FLAT WASHER 12		1				
045	227720-3	HELICAL GEAR 33		1				
046	253744-3	FLAT WASHER 12		1				
047	211150-8	BALL BEARING 6901ZZ		1	*			
047-1	210260-8	BALL BEARING 6901ZZ	O	1				
048	319608-2	GEAR BOX		1				
049	266326-2	TAPPING SCREW 4X18		4				
050	266041-8	TAPPING SCREW 5X25		4				
051	213961-7	O RING 22		1				
052	519447-2	ROTOR ASS'Y		1				
D10		INC. 53-56						
053	227721-1	HELICAL GEAR 16		1				
054	210069-8	BALL BEARING 6900DDW		1	*			
054-1	210258-5	BALL BEARING 6900DDW	O	1				
055	961006-2	RETAINING RING S-10		1				
056	210062-2	BALL BEARING 607ZZ		1				
057	629269-3	STATOR		1				
058	266326-2	TAPPING SCREW 4X18		6				
059	853S68-7	AC3611 NAME PLATE		1				
060	183H31-3	HOUSING SET		1				
C10	263005-3	RUBBER PIN 6		4				
C20	252126-6	HEX. LOCK NUT M4-7		3				
D10		INC. 69						
061	251314-2	+ SCREW M4X12		3				
062	346858-6	BATTERY GUARD		1				
063	853S70-0	AC3611 SERIAL NO. LABEL		1				
064	620676-3	CONTROLLER		1	*			
064-1	620A23-4	CONTROLLER	<	1	*			
064-2	620F08-0	CONTROLLER	<	1	*			
064-3	620D86-8	CONTROLLER	S	1				
065	644809-6	TERMINAL		2				
066	266326-2	TAPPING SCREW 4X18		4				
067	183G30-9	MOTOR HOUSING SET		1				
D10		INC. 68						
068	183G30-9	MOTOR HOUSING SET		1				

Please order the parts with part number.

Print Date 25/10/2023

Model No.AC3611 CRDLSS MULTI FNCTN POWER HEAD

Item	Parts No.	Description	I/C	Qty	New/Old	Opt. 1	Opt. 2	Note
D10		INC. 67						
069	183H31-3	HOUSING SET		1				
C10	263005-3	RUBBER PIN 6		4				
C20	252126-6	HEX. LOCK NUT M4-7		3				
D10		INC. 60						
070	922211-6	H.S.H.BOLT M5X12 WITH W		1				
071	144315-6	BARRIER COMPLETE		1				
D10		INC. 72						
072	911128-8	P.H.SCREW M4X16 WITH WR		1				
A01	125516-5	BAND ASSEMBLY		1				
A02	783202-0	HEX. WRENCH 4		1				
A03	195246-2	SAFETY GOGGLE		1	*			
A04	831315-2	ACCESSORY BAG		1				

Please order the parts with part number.

Print Date 25/10/2023