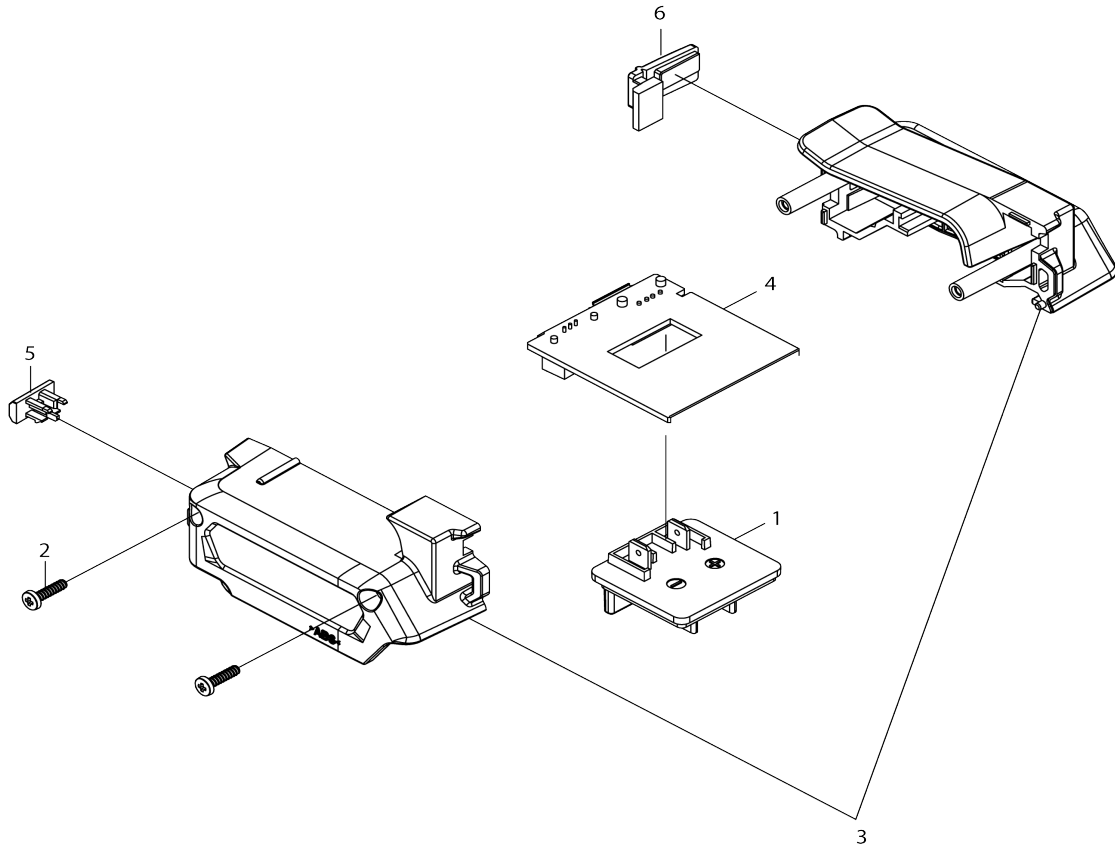


Model No.ADP06 ADAPTER FOR USB



Model No.ADP06 ADAPTER FOR USB

Item No.	Parts No.	Description	Interchangability	Q'ty	New/Old	Note1	Note2
001	SE00000511	TERMINAL 10.8V-B 2PIN		1			
002	SE00000506	SCREW PTB 2.6X10(ZK)		2			
003	SE00000507	CASE L/R SET 011B4A1		1	*		
004	SE00000505	PCB A ASSY 07AB4A1		1			
005	SE00000509	SLIDE KNOB(BLK) 3100B4000010		1			
006	SE00000510	RUBBER COVER(BLK)		1			

Please state Parts No. when your order.

Print Date 10/10/2023