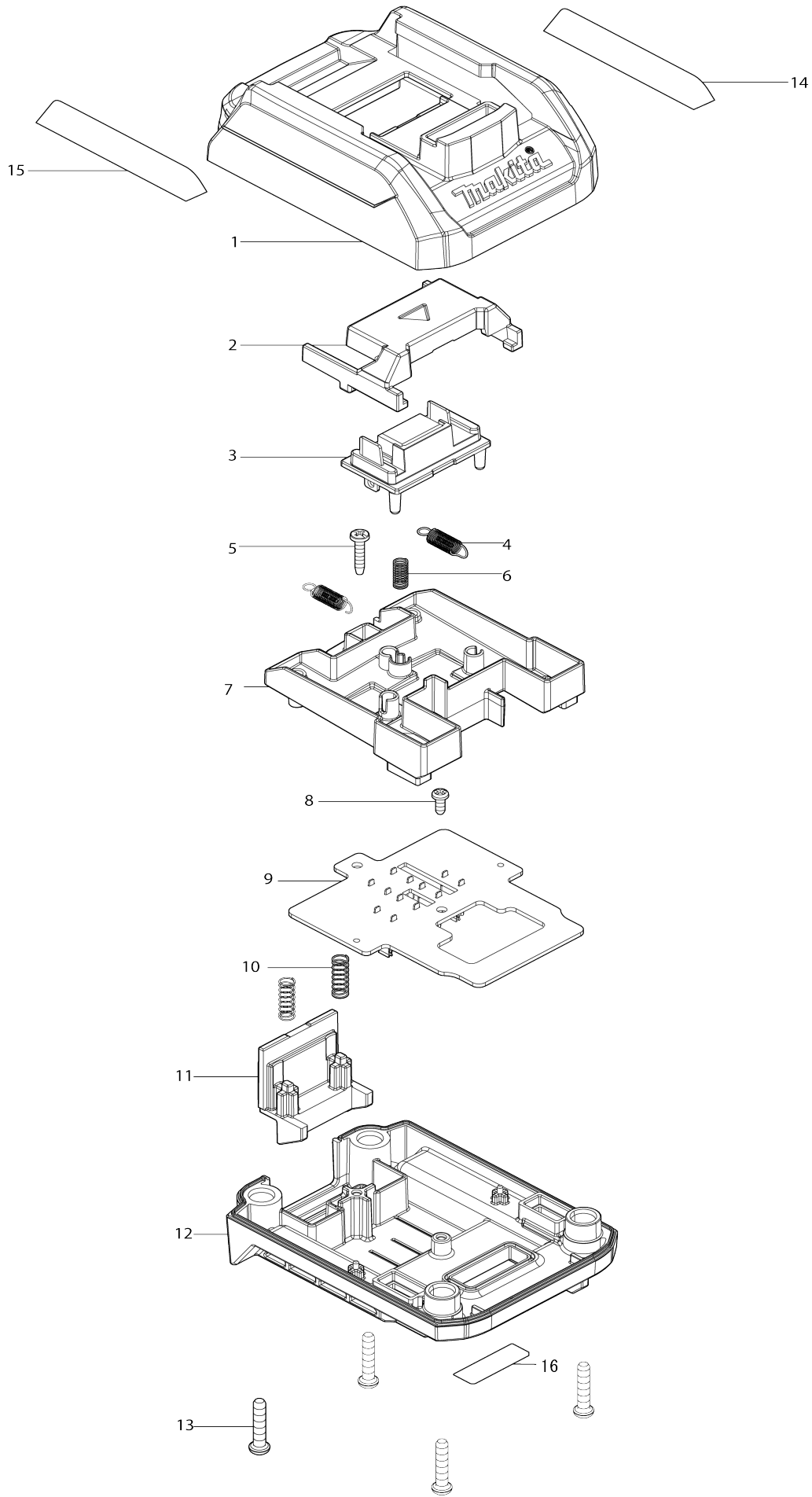


# Model No.ADP10 INTERCHANGEABLE ADAPTER



**Model No.ADP10 INTERCHANGEABLE ADAPTER**

Item No.	Parts No.	Description	Interchangability	Q'ty	New/Old	Note1	Note2
001	459737-0	ADAPTER CASE		1			
002	459740-1	TERMINAL COVER		1			
003	632N92-1	TERMINAL UNIT		1			
004	232604-2	TENSION SPRING 5		2			
005	265B03-5	TAPPING SCREW PT 3X16		1			
006	232603-4	COMPRESSION SPRING 4		1			
007	459739-6	TERMINAL BASE		1			
008	265B02-7	TAPPING SCREW 3X8		1			
009	620B80-8	ADAPTER CIRCUIT		1			
010	232603-4	COMPRESSION SPRING 4		2			
011	459741-9	HOOK		1			
012	459738-8	ADAPTER CASE COVER		1			
013	265B01-9	TAPPING SCREW PT 4X20		4			
014	8004U3-3	INDICATION LABEL L		1			
015	8004U4-1	INDICATION LABEL R		1			
016	857F49-5	ADP10 NAME PLATE		1			

Please state Parts No. when your order.

Print Date 10/25/2023