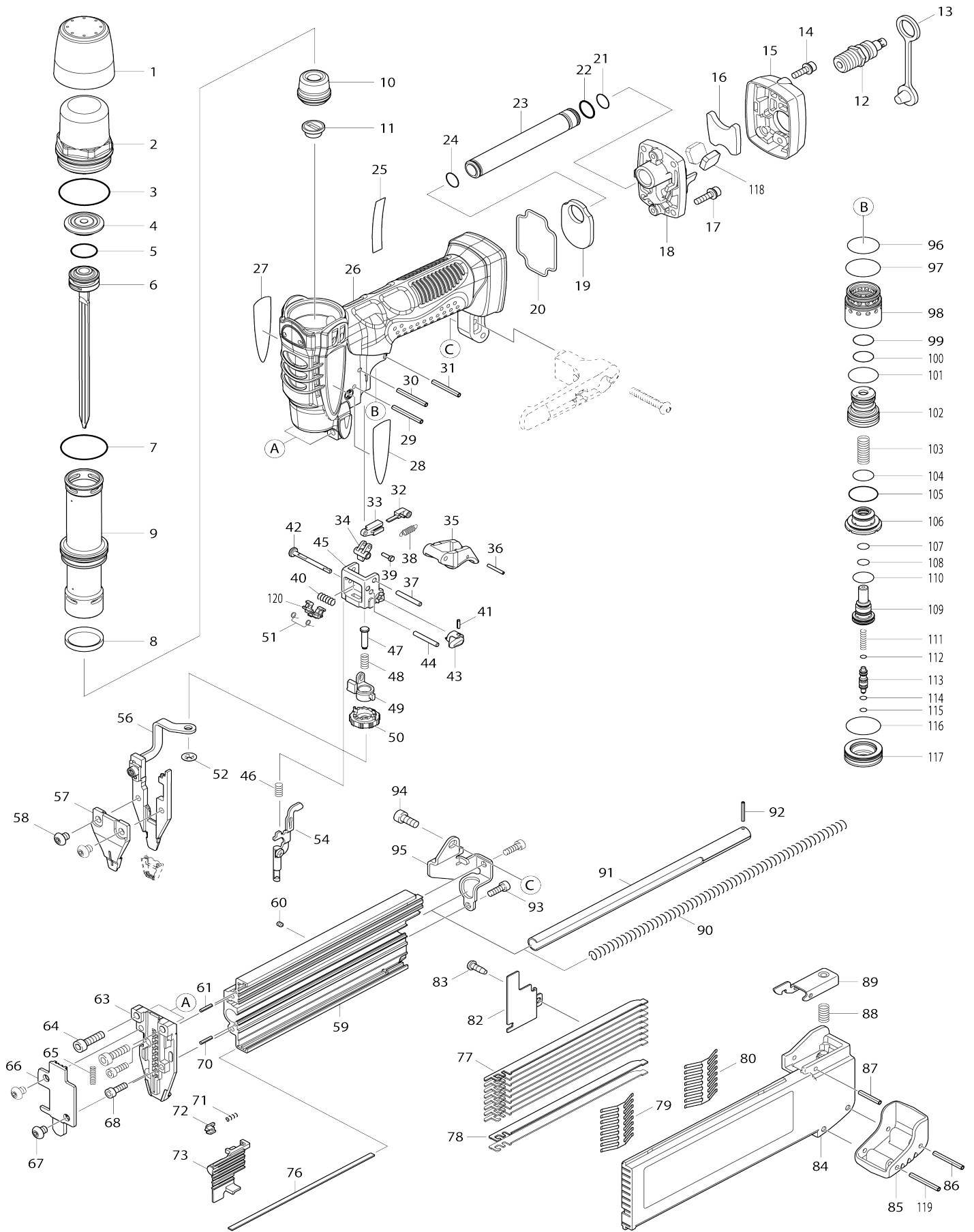


Model No.AF550H BRAD NAILER



Model No.AF550H BRAD NAILER

Item No.	Parts No.	Description	Interchangability	Q'ty	New/Old	Note1	Note2
001	450630-1	Top cap cover (black)		1			
002	318286-5	TOP CAP		1			
003	213487-9	O RING 31		1			
004	424120-0	REAR CUSHION		1	*		
004-1	424947-8	REAR CUSHION	O	1			
005	213189-7	O-ring 14		1			
006	158686-5	Driver complete		1			
007	213412-0	O RING 29		1			
008	424116-1	D-RING 21.5		1			
009	331830-1	Cylinder		1			
010	424119-5	FRONT CUSHION		1			
011	424118-7	Front seal		1	*		
011-1	424233-7	Front seal	<	1			
012	243105-5	ONE-TOUCH JOINT H22PM		1			
013	286280-4	CAP 9		1			
014	265353-6	HEX. SOCKET HEAD BOLT M4X12		2			
015	450632-7	Exhaust cover (black)		1			
016	413123-9	FILTER		1			
017	922127-5	HEX. SOCKET HEAD BOLT M4X16		4			
018	318287-3	INLET CAP		1			
019	413122-1	INLET FILTER		1			
020	424117-9	Seal ring		1			
021	213138-4	O-ring 11.2		1	*		
021-1	213194-4	O-RING 9.5	<	1			
022	213105-9	O RING 11		1			
023	331832-7	PIPE		1			
024	213138-4	O-ring 11.2		1	*		
024-1	213194-4	O-RING 9.5	<	1			
025	865254-4	Name plate AF550H		1			
026	188553-0	Housing set		1	*		
D10		INC. 27,28					
026-1	188601-5	Housing set	X	1			
D10		INC. 27,28					
027	819307-1	Makita logo label (R) AF550H		1	*		
027-1	819313-6	Makita logo label R	X	1			
028	819306-3	Makita logo label (L) AF550H		1	*		
028-1	819314-4	Makita logo label L	X	1			
029	951075-1	SPRING PIN 3-28		1			
030	951075-1	SPRING PIN 3-28		1			
031	951072-7	SPRING PIN 3-24		1	*		
031-1	258037-3	SPRING PIN 3-26	<	1			
032	310263-3	IDLER		1			
033	310264-1	IDLER GUIDE		1	*		
033-1	310296-8	IDLER GUIDE	S	1			
034	310267-5	Link block		1	*		
034-1	310312-6	Link block	S	1			
035	450633-5	Trigger		1			

036	951010-9	SPRING PIN 2-14		1		
037	256221-4	PIN 3		1		
038	231856-2	TENSION SPRING 4		1		
039	268218-1	PIN 2		1		
040	231309-1	COMPRESSION SPRING 5		1		
041	951001-0	SPRING PIN 2-8		1		
042	324948-5	Lock pin		1		
043	450786-0	Knob		1		
044	256221-4	PIN 3		1		
045	450631-9	Trigger base		1	*	
045-1	451027-7	Trigger base	S	1	*	
045-2	451332-2	Trigger base	S	1		
046	234067-8	COMPRESSION SPRING 5		1		
047	268219-9	Headed shoulder pin 4		1	*	
047-1	268243-2	Headed shoulder pin 4	O	1		
048	234069-4	Compression spring 5		1	*	
048-1	234100-6	Compression spring 6	S	1		
049	310265-9	Stopper		1	*	
049-1	310313-4	Stopper	O	1		
050	310266-7	Adjuster		1		
051	233533-2	Torsion spring 4		1		
052	259009-1	PUSH NUT 3		1		
054	165568-4	Arm		1		
056	158687-3	Contact arm complete		1		
057	310268-3	FRONT DRIVER GUIDE		1		
058	266450-1	Hex socket button head bolt M5 X6		2	*	
058-1	266577-7	Hex socket button head bolt M5 X6	<	2		
059	331833-5	Magazine		1		
060	266463-2	Hex socket set screw (flat point) M3X4		1	*	
060-1	266999-1	H.S.SET SCREW(FLAT POINT)M3X 4	O	1		
061	951004-4	SPRING PIN 2-10		1		
063	310270-6	Set plate		1		
064	266369-4	HEX SOCKET HEAD BOLT M5X20		2		
065	234073-3	Compression spring 3		1	*	
065-1	234099-5	Compression spring 3	S	1		
066	310271-4	REAR DRIVER GUIDE		1		
067	266450-1	Hex socket button head bolt M5 X6		2	*	
067-1	266577-7	Hex socket button head bolt M5 X6	<	2		
068	265353-6	HEX. SOCKET HEAD BOLT M4X12		2		
070	951004-4	SPRING PIN 2-10		1		
071	233018-8	COMPRESSION SPRING 3		1		
072	310176-8	STOPPER		1		
073	310269-1	Pusher		1		
076	345955-5	Nail plate		1		
077	345951-3	Nail guide plate A		8		
078	345956-3	Nail guide plate B		2		
079	232244-6	Leaf spring		1		

080	232244-6	Leaf spring		1		
082	345952-1	Cover plate		1		
083	266451-9	Bind head tapping screw 4X12		1	*	
083-1	266020-6	TAPPING SCREW 4X12	<	1		
084	158750-2	Slide door complete		1	*	
084-1	142806-1	Slide door complete	<	1		
085	424122-6	MAGAZINE BUMPER		1		
086	951075-1	SPRING PIN 3-28		1		
087	258033-1	SPRING PIN 3-22		1		
088	233097-6	COMPRESSION SPRING 7		1		
089	345954-7	LOCK LEVER		1		
090	234071-7	Compression spring 6		1		
091	345957-1	GUIDE PIPE		1		
092	951013-3	SPRING PIN 2-16		1		
093	265353-6	HEX. SOCKET HEAD BOLT M4X12		2		
094	265909-5	HEX. SOCKET HEAD BOLT M5X14		1		
095	345953-9	JOINT		1		
096	213310-8	O RING 20		1		
097	213373-4	O RING 22		1		
098	331831-9	TRIGGER VALVE GUIDE A		1		
099	213137-6	O-RING 11.2		1		
100	213191-0	O-ring 12.5		1		
101	213262-3	O RING 18		1		
102	412091-3	Main valve		1		
103	234070-9	COMPRESSION SPRING 7		1		
104	213122-9	O RING 12		1		
105	213275-4	O RING 18		1		
106	324912-6	TRIGGER VALVE GUIDE B		1		
107	213998-4	O-RING 6		1		
108	213998-4	O-RING 6		1		
109	412090-5	Pilot valve		1	*	
109-1	451026-9	Pilot valve	S	1	*	
109-2	326353-2	PILOT VALVE	S	1		
110	213122-9	O RING 12		1		
111	234068-6	COMPRESSION SPRING 3		1		
112	213034-6	O RING 3		1	*	
112-1	213640-7	O-RING 3	S	1		
113	324914-2	Trigger valve stem		1	*	
113-1	325634-1	Trigger valve stem	S	1	*	
113-2	325691-9	TRIGGER VALVE STEM	S	1		
114	213979-8	O-RING 3		1	*	
114-1	213640-7	O-RING 3	S	1		
115	213979-8	O-RING 3		1		
116	213373-4	O RING 22		1		
117	324913-4	Trigger valve case		1	*	
117-1	325633-3	TRIGGER VALVE CASE	S	1		
118	413125-5	FILTER B		2	*	
119	951075-1	SPRING PIN 3-28		1		
120	310284-5	Link lever		1		
121	195098-1	Repair kit for trigger		1	*	
D10		INC. 96,97,99-101,104,105,107,				
D20		INC. 108,110,112,114-116				

A01	192517-8	SAFETY GOGGLE		1	*		
A01-1	195246-2	SAFETY GOGGLE	<	1	*		
A02	194381-3	OIL SUPPLY SET		1			
A03	266100-8	HEX. SOCKET HEAD BOLT M5X30		1			
A04	415000-1	HOOK		1	*		
A04-1	452213-3	HOOK	O	1			
A05	424121-8	NOSE ADAPTER		2	*		
A05-1	424121-8	NOSE ADAPTER	O	2			
A06	783201-2	HEX. WRENCH 3		1			
A07	824858-1	PLASTIC CARRYING CASE		1			
C10	186347-7	SLIDE LATCH SET		1			

Please state Parts No. when your order.

Print Date 10/10/2023