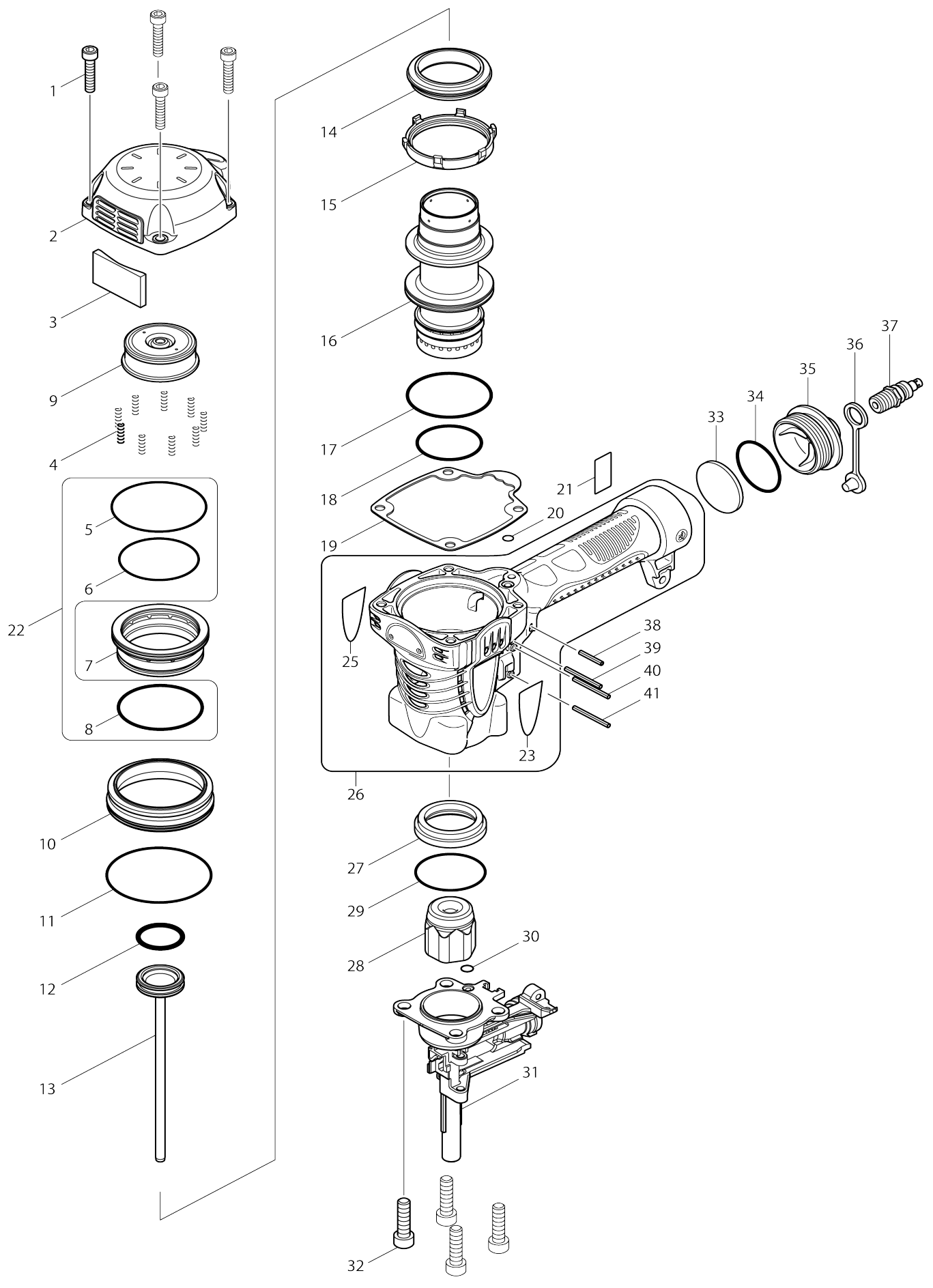
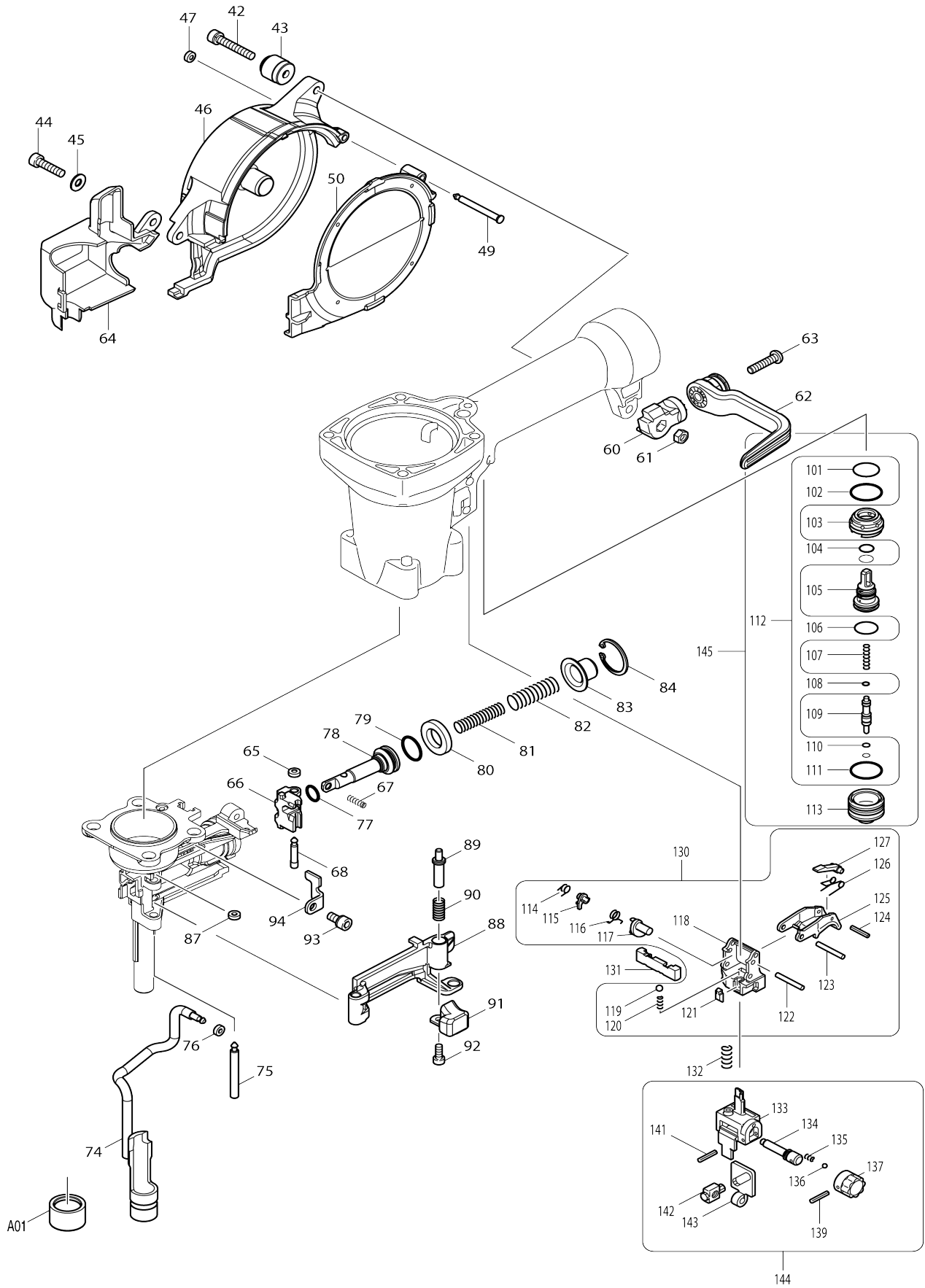


Model No.AN250HC PNEUMATIC CONCRETE NAILER



Model No. AN250HC PNEUMATIC CONCRETE NAILER



Model No.AN250HC PNEUMATIC CONCRETE NAILER

Item No.	Parts No.	Description	Interchangability	Q'ty	New/Old	Note1	Note2
001	265566-9	HEX SOCKET HEAD BOLT M6X30		4			
002	158219-6	TOPCAP COMPLETE		1			
003	413112-4	FILTER		1			
004	233484-9	COMPRESSION SPRING 4		9			
005	213668-5	O RING 60		1			
006	213612-2	O RING 50		1			
007	419842-5	HEAD VALVE		1			
008	213657-0	O RING 53		1			
009	424012-3	REAR CUSHION		1	*		
009-1	424012-3	REAR CUSHION	O	1			
010	331764-8	HEAD VALVE GUIDE		1			
011	213720-9	O RING 67		1	*		
011-1	213A35-0	O-RING 67	<	1			
012	213982-9	O-RING 26		1			
013	168538-2	DRIVER		1			
014	424013-1	VALVE SEAT		1			
015	331759-1	CYLINDER STAY		1			
016	331763-0	CYLINDER		1			
017	213657-0	O RING 53		1			
018	213531-2	O-RING 39		1			
019	162254-8	TOP CAP GASKET		1			
020	213045-1	O-RING 6		1			
021	867290-6	AN250HC NAME PLATE		1			
022	194737-0	AIR LEAK REPAIR SET		1	*		
D10		INC. 5,6,8,112					
022-1	199953-9	AIR LEAK REPAIR SET	<	1			
D10		INC. 5,6,8,112					
023	819324-1	MAKITA ROGO LABEL L		1			
025	819323-3	MAKITA LOGO LABEL R		1			
026	188777-8	HOUSING SET		1			
C10	816921-4	INDICATION LABEL		1			
D10		INC. 23,25					
027	331758-3	CYLINDER GUIDE		1			
028	424011-5	FRONT CUSHION		1			
029	213554-0	O RING 44		1			
030	213021-5	O RING 5		1			
031	310318-4	DRIVER GUIDE		1			
032	265565-1	HEX SOCKET HEAD BOLT M8X30		4			
033	413105-1	INLET FILTER		1			
034	213521-5	O RING 36		1	*		
034-1	213506-1	O RING 36	O	1			
035	318108-9	INLET CAP		1			
036	286280-4	CAP 9		1			
037	243105-5	ONE-TOUCH JOINT H22PM		1			
038	951069-6	SPRING PIN 3-20		1			
039	951078-5	SPRING PIN 3-32		1			
040	951078-5	SPRING PIN 3-32		1			

041	951078-5	SPRING PIN 3-32		1		
042	265919-2	HEX. SOCKET HEAD BOLT M5X30		1		
043	325725-8	SLEEVE 5		1		
044	266369-4	HEX SOCKET HEAD BOLT M5X20		1		
045	267343-5	FLAT WASHER 5		1		
046	451377-0	MAGAZINE		1		
047	262120-0	URETHANE RING 3		1		
049	256678-9	PIN 4		1		
050	140304-9	MAGAZINE CAP COMPLETE		1		
060	162255-6	HOOK BASE		1		
061	931202-6	HEX. NUT M5		1		
062	168499-6	HOOK		1		
063	265176-2	PAN.HD.SCREW M5X22		1		
064	451379-6	CONTACT ARM COVER		1		
065	262120-0	URETHANE RING 3		1		
066	310320-7	FEEDING CLAW		1		
067	234150-1	COMPRESSION SPRING 3		1		
068	256432-1	PIN 4-4.5		1		
074	165584-6	CONTACT ARM		1		
075	256782-4	PIN 5		1		
076	262120-0	URETHANE RING 3		1		
077	213054-0	O RING 9		1		
078	325718-5	PISTON		1		
079	213154-6	O RING 14		1		
080	262123-4	RUBBER RING 14		1		
081	234045-8	COMPRESSION SPRING 9		1		
082	234046-6	COMPRESSION SPRING 10		1		
083	345781-2	CUP WASHER		1	*	
083-1	326913-0	CUP WASHER	<	1		
084	962103-7	RETAINING RING R-24		1		
087	262120-0	URETHANE RING 3		1		
088	310319-2	DOOR		1		
089	325721-6	LOCK PIN		1		
090	233201-7	COMPRESSION SPRING 6		1		
091	310050-0	LOCK LEVER		1		
092	266167-6	HEX. SOCKET HEAD BOLT M4X10		1		
093	922211-6	H.S.H.BOLT M5X12 WITH W		1		
094	346127-5	HOLDER		1		
101	213233-0	O-RING 15		1		
102	213275-4	O RING 18		1		
103	419841-7	TRIGGER VALVE GUIDE		1		
104	213968-3	O-RING 7		2		
105	419958-6	PILOT VALVE		1	*	
105-1	456261-4	PILOT VALVE	<	1		
106	213185-5	O-RING 12.5		1		
107	234014-9	COMPRESSION SPRING 3		1	*	
107-1	234187-8	COMPRESSION SPRING 3	<	1		
108	213034-6	O RING 3		1	*	
108-1	213044-3	O RING 3	S	1	*	
108-2	213A17-2	O-RING 3	O	1		
109	324743-3	TRIGGER VALVE STEM		1	*	
109-1	326189-9	TRIGGER VALVE STEM	S	1		

110	213979-8	O-RING 3		2	*		
110-1	213640-7	O-RING 3	S	2			
111	213275-4	O RING 18		1	*		
111-1	213310-8	O RING 20	<	1			
112	194737-0	AIR LEAK REPAIR SET		1	*		
D10		INC. 22,101,102,104,106,108,					
D20		INC. 110,111					
112-1	199953-9	AIR LEAK REPAIR SET	<	1			
D10		INC. 22,101,102,104,106,108,					
D20		INC. 110,111					
113	331741-0	TRIGGER VALVE CASE		1			
114	233501-5	TORSION SPRING 5		1			
115	310199-6	STOPPER PLATE		1			
116	233502-3	TORSION SPRING 6		1			
117	310310-0	LEVER		1			
118	419844-1	TRIGGER BASE		1			
119	216024-8	STEEL BALL 4		1	*		
119-1	326144-1	LOCK PIN	<	1			
120	233490-4	COMPRESSION SPRING 2		1			
121	419743-7	SPRING COVER		1			
122	268168-0	PIN 3		1			
123	268168-0	PIN 3		1			
124	951007-8	SPRING PIN 2-12		1			
125	310190-4	TRIGGER		1			
126	231699-2	TORSION SPRING 4		1			
127	310196-2	TRIP LEVER		1			
130	135188-8	TRIGGER ASSEMBLY		1	*		
D10		INC. 114-127					
130-1	135188-8	TRIGGER ASSEMBLY	O	1			
D10		INC. 114-127					
131	310187-3	CHANGE ROD		1			
132	233489-9	COMPRESSION SPRING 6		1			
133	310227-7	UPPER YOKE		1			
134	324767-9	ADJUSTER SHAFT		1			
135	233491-2	COMPRESSION SPRING 2		1			
136	216031-1	STEEL BALL 2.3		1			
137	158747-1	ADJUSTER COMPLETE		1			
139	951010-9	SPRING PIN 2-14		1			
141	951010-9	SPRING PIN 2-14		1			
142	310201-5	ADJUSTER PIECE		1			
143	345801-2	SLIDE PLATE		1			
144	135228-2	ADJUSTER ASSY		1			
D10		INC. 133-137,139,141-143					
145	135597-1	TRIGGER VALVE ASS'Y		1	*		
D10		INC. 101-111,113					
145-1	135682-0	TRIGGER VALVE ASS'Y	<	1	*		
D10		INC. 101-111,113					
145-2	136098-2	TRIGGER VALVE ASS'Y	<	1			
D10		INC. 101-111,113					
A01	424234-5	NOSE ADAPTER A		2			
A02	424237-9	NOSE ADAPTER B		2			

A03	824792-5	PLASTIC CARRYING CASE		1			
C10	188610-4	SLIDE LATCH RL SET		1			
A04	192517-8	SAFETY GOGGLE		1	*		
A04-1	195246-2	SAFETY GOGGLE	<	1	*		
A05	194381-3	OIL SUPPLY SET		1			

Please state Parts No. when your order.

Print Date 10/10/2023