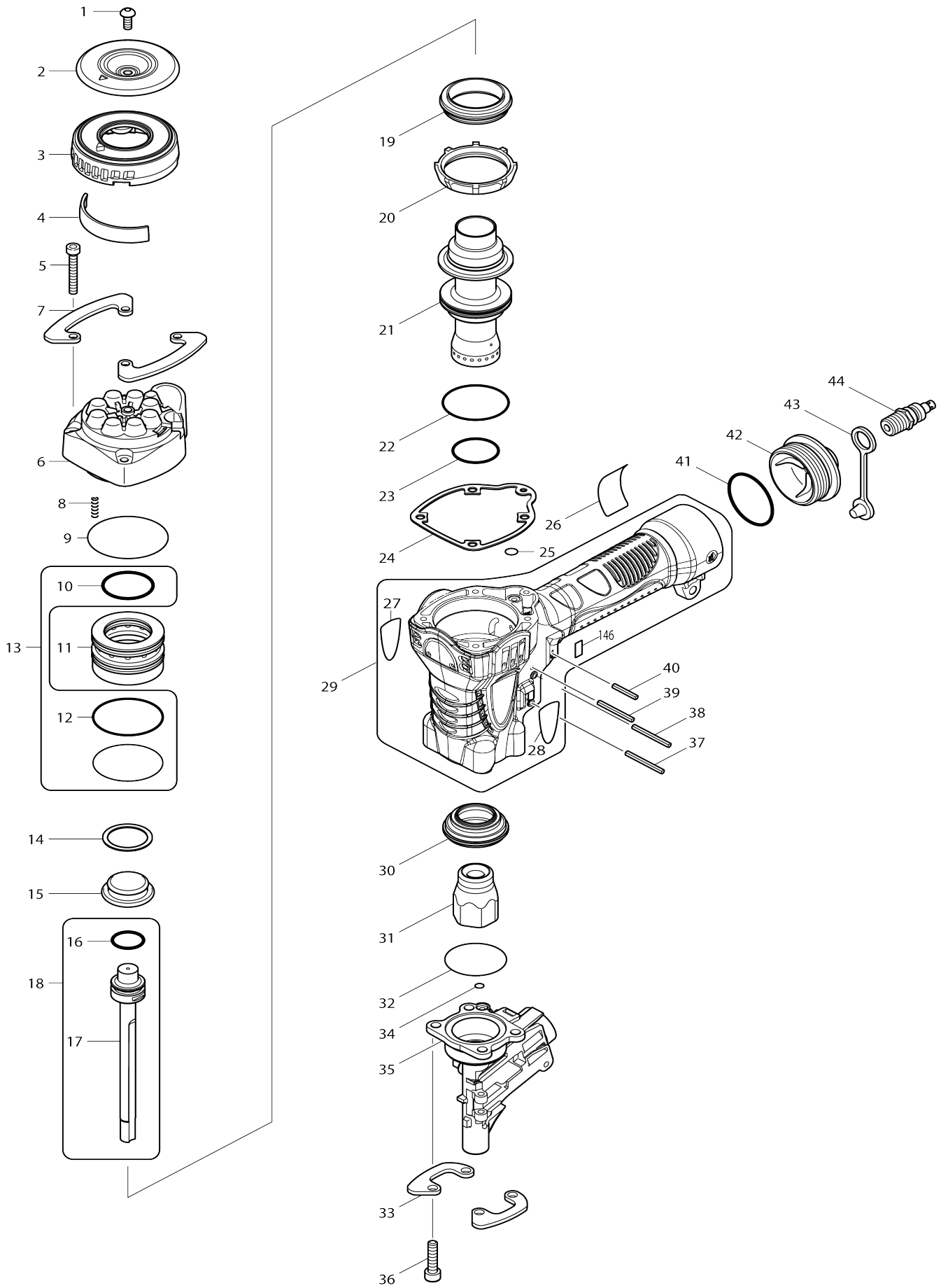
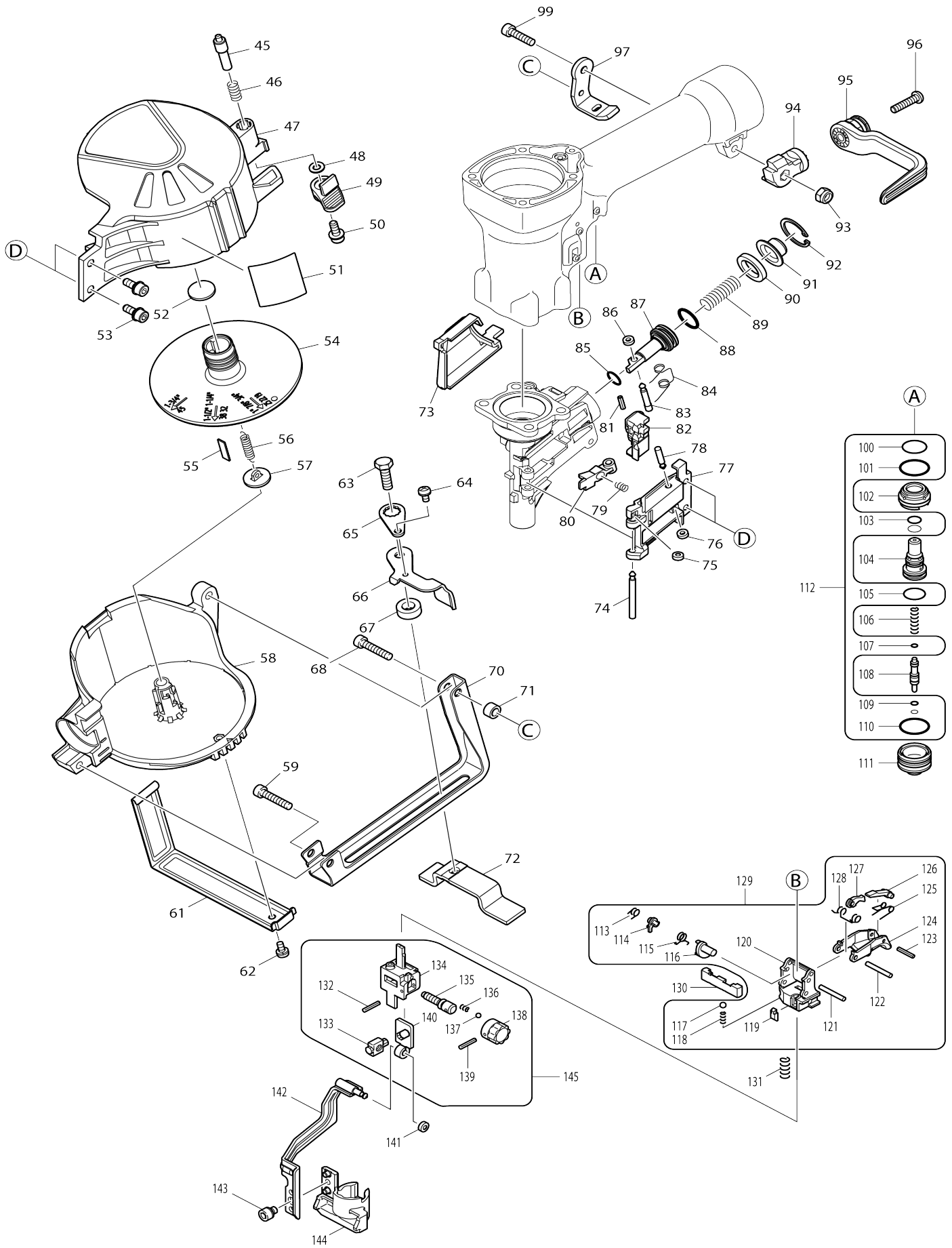


Model No.AN450H PNEUMATIC COIL NAILER



Model No.AN450H PNEUMATIC COIL NAILER



Model No.AN450H PNEUMATIC COIL NAILER

Item No.	Parts No.	Description	Interchangability	Q'ty	New/Old	Note1	Note2
001	266501-0	HEX.SOCKET BUTTON HEAD BOLT M5		1			
002	346013-0	EXHAUST COVER CAP		1			
003	450834-5	EXHAUST COVER		1			
004	413128-9	FILTER		1			
005	922257-2	HEX. SOCKET HEAD BOLT M5X35		4			
006	318109-7	TOP CAP		1			
007	346011-4	REAR HOUSING GUARD		2			
008	233484-9	COMPRESSION SPRING 4		8			
009	213604-1	O RING 50		1			
010	213447-1	O-RING 30		1	*		
010-1	213423-5	O RING 30	O	1			
011	419736-4	HEAD VALVE		1			
012	213558-2	O RING 42		2			
013	194735-4	AIR LEAK REPAIR SET		1			
D10		INC. 10,12,112					
014	267342-7	FLAT WASHER 26		1			
015	424225-6	REAR CUSHION		1			
016	213282-7	O-RING 17		1			
017	158827-3	DRIVER COMPLETE		1			
018	135248-6	DRIVER ASS'Y		1			
D10		INC. 16,17					
019	421981-9	VALVE SEAT		1			
020	331739-7	CYLINDER STAY		1			
021	331847-4	CYLINDER		1			
022	213509-5	O RING 40		1			
023	213413-8	O RING 28		1			
024	162246-7	TOP CAP GASKET		1			
025	213021-5	O RING 5		1			
026	866139-7	AN450H NAME PLATE		1			
027	819321-7	MAKITA LOGO LABEL R		1			
028	819322-5	MAKITA LOGO LABEL L		1			
029	188604-9	HOUSING SET		1			
D10		INC. 27,28,146					
030	324968-9	CYLINDER GUIDE		1			
031	424159-3	FRONT CUSHION		1			
032	213528-1	O-RING 38		1			
033	346010-6	FRONT HOUSING GUARD		2			
034	213970-6	O-RING 4		1			
035	158828-1	DRIVER GUIDE COMPLETE		1			
036	266087-4	HEX.BOLT M6X25		4			
037	951078-5	SPRING PIN 3-32		1			
038	951078-5	SPRING PIN 3-32		1			
039	258029-2	SPRING PIN 3-30		1	*		
039-1	258039-9	SPRING PIN 3-30	O	1			
040	951069-6	SPRING PIN 3-20		1			
041	213521-5	O RING 36		1	*		
041-1	213506-1	O RING 36	O	1			

042	318108-9	INLET CAP		1		
043	286280-4	CAP 9		1		
044	243105-5	ONE-TOUCH JOINT H22PM		1		
045	322532-0	LOCK PIN		1		
046	231307-5	COMPRESSION SPRING 6		1		
047	158924-5	MAGAZINE CAP COMPLETE		1		
C10	810418-5	CAUTION LABEL		1		
048	267010-2	FLAT WASHER 5		1		
049	414933-7	LOCK LEVER		1		
050	266233-9	HEX. SOCKET HEAD BOLT M5X12		1		
051	807990-6	AN450H MAGAZINE LABEL		1		
052	414934-5	HOLDER CAP		1		
053	266233-9	HEX. SOCKET HEAD BOLT M5X12		2		
054	415169-1	CHANGE PLATE		1		
055	423232-6	RUBBER PLATE 6-20		1		
056	231793-0	TENSION SPRING 5		1		
057	414934-5	HOLDER CAP		1		
058	415779-4	MAGAZINE		1		
059	266099-7	HEX. SOCKET HEAD BOLT M5X25		1		
061	344254-2	MAGAZINE GUARD		1		
062	911110-7	PAN HEAD SCREW M4X8		1		
063	921332-1	HEX. BOLT M6X20		1		
064	911110-7	PAN HEAD SCREW M4X8		1		
065	341718-7	LOCK PLATE		1		
066	343977-9	LEVER PLATE		1		
067	257166-9	RING 9		1		
068	266099-7	HEX. SOCKET HEAD BOLT M5X25		1		
070	343978-7	SINGLE GUIDE		1		
071	257140-7	RING 6		1		
072	165250-5	ADJUSTER PLATE		1		
073	450832-9	COVER		1		
074	256779-3	PIN 4		1		
075	262120-0	URETHANE RING 3		1		
076	262120-0	URETHANE RING 3		1		
077	311914-1	DOOR		1		
078	256778-5	PIN 4		1		
079	233095-0	COMPRESSION SPRING 4		1		
080	311913-3	CHECK CLAW		1		
081	951054-9	SPRING PIN 3-10		1		
082	310098-2	FEEDING CLAW		1		
083	256432-1	PIN 4-4.5		1		
084	231603-1	TORSION SPRING 6		1		
085	213054-0	O RING 9		1		
086	262120-0	URETHANE RING 3		1		
087	324965-5	PISTON		1		
088	213154-6	O RING 14		1		
089	233346-1	COMPRESSION SPRING 7		1		
090	262075-9	RUBBER RING 16		1		
091	344452-8	CUP WASHER 5		1		
092	962103-7	RETAINING RING R-24		1		
093	931202-6	HEX. NUT M5		1		

094	162255-6	HOOK BASE		1		
095	419843-3	HOOK		1		
096	265176-2	PAN.HD.SCREW M5X22		1		
097	346012-2	MAGAZINE LOCK		1		
099	266369-4	HEX SOCKET HEAD BOLT M5X20		1		
100	213233-0	O-RING 15		1		
101	213275-4	O RING 18		1		
102	419732-2	TRIGGER VALVE GUIDE		1		
103	213968-3	O-RING 7		2		
104	419733-0	PILOT VALVE		1	*	
104-1	456262-2	PILOT VALVE	<	1		
105	213185-5	O-RING 12.5		1		
106	233485-7	COMPRESSION SPRING 4		1		
107	213034-6	O RING 3		1	*	
107-1	213044-3	O RING 3	S	1		
108	324743-3	TRIGGER VALVE STEM		1	*	
108-1	326189-9	TRIGGER VALVE STEM	S	1		
109	213979-8	O-RING 3		2	*	
109-1	213640-7	O-RING 3	S	2		
110	213275-4	O RING 18		1		
111	331741-0	TRIGGER VALVE CASE		1		
112	194735-4	AIR LEAK REPAIR SET		1		
D10		INC. 13,100,101,103,105,107,				
D20		109,110				
113	233501-5	TORSION SPRING 5		1		
114	310199-6	STOPPER PLATE		1		
115	233502-3	TORSION SPRING 6		1	*	
115-1	233576-4	TORSION SPRING 6	<	1		
116	310310-0	LEVER		1		
117	216024-8	STEEL BALL 4		1	*	
117-1	326144-1	LOCK PIN	<	1		
118	233490-4	COMPRESSION SPRING 2		1		
119	419743-7	SPRING COVER		1		
120	419844-1	TRIGGER BASE		1		
121	268168-0	PIN 3		1		
122	268168-0	PIN 3		1		
123	951007-8	SPRING PIN 2-12		1		
124	310294-2	TRIGGER		1		
125	231699-2	TORSION SPRING 4		1		
126	310196-2	TRIP LEVER		1		
127	310198-8	LEVER		1		
128	233503-1	TORSION SPRING 4		1		
129	135231-3	TRIGGER ASS'Y		1	*	
D10		INC. 113-128				
129-1	135494-1	TRIGGER ASS'Y	O	1		
D10		INC. 113-128				
130	310293-4	CHANGE ROD		1		
131	233489-9	COMPRESSION SPRING 6		1		
132	951010-9	SPRING PIN 2-14		1		
133	310201-5	ADJUSTER PIECE		1		
134	310234-0	UPPER YOKE		1		
135	324745-9	ADJUSTER SHAFT		1		

136	233491-2	COMPRESSION SPRING 2		1		
137	216031-1	STEEL BALL 2.3		1		
138	158747-1	ADJUSTER COMPLETE		1		
139	951010-9	SPRING PIN 2-14		1		
140	345775-7	SLIDE PLATE		1		
141	262120-0	URETHANE RING 3		1		
142	165546-4	CONTACT ARM		1		
143	265480-9	HEX. SOCKET HEAD BOLT M5X8		1		
144	165545-6	CONTACT TOP		1		
145	135232-1	ADJUSTER ASS'Y		1		
D10		INC. 132-140				
146	816919-1	INDICATION LABEL		1		
A01	192517-8	SAFETY GOGGLE		1	*	
A01-1	195246-2	SAFETY GOGGLE	<	1	*	
A02	194381-3	OIL SUPPLY SET		1		
A03	783202-0	HEX. WRENCH 4		1		
A04	824792-5	PLASTIC CARRYING CASE		1		
C10	188610-4	SLIDE LATCH RL SET		1		

Please state Parts No. when your order.

Print Date 10/25/2023