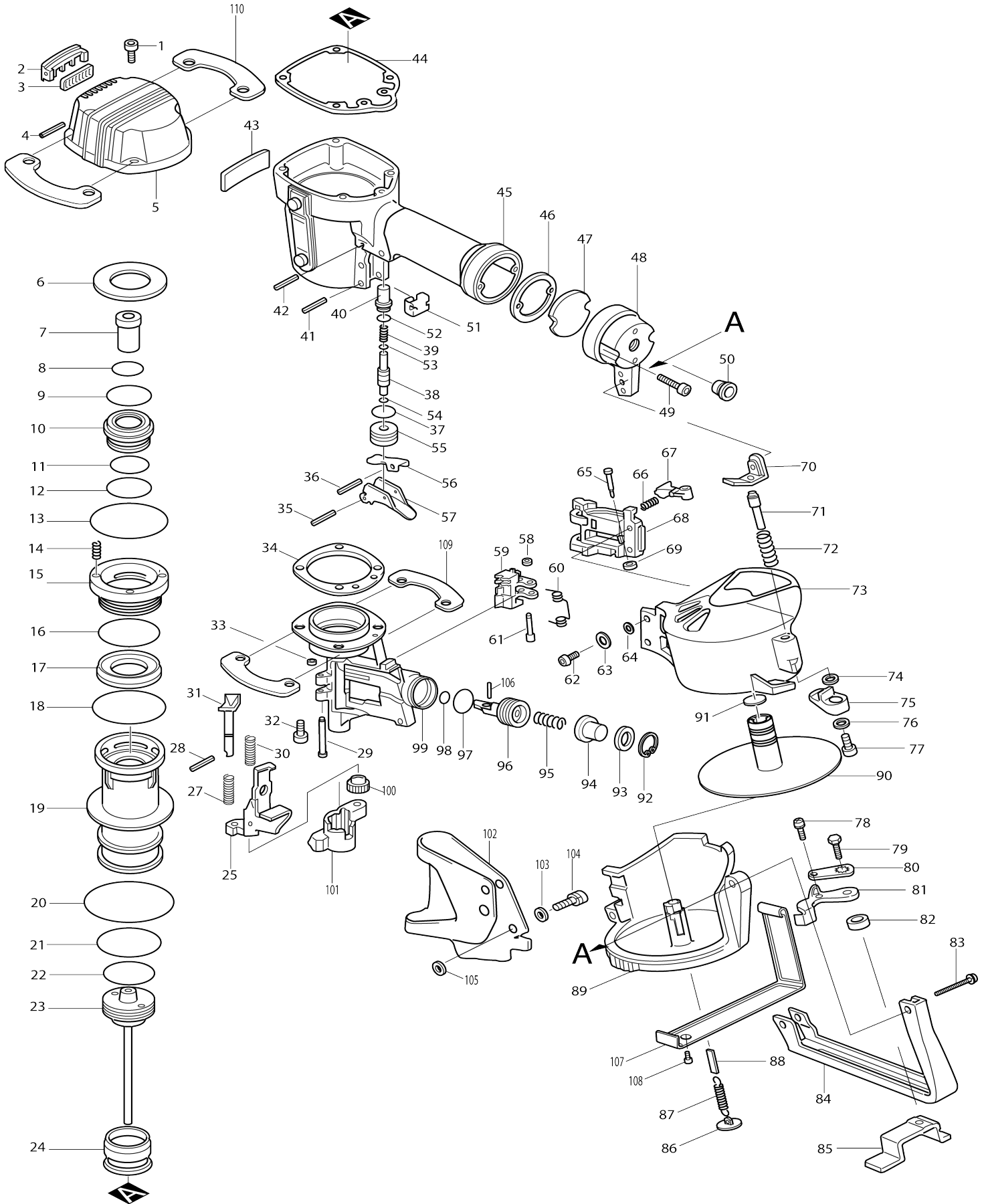


# Model No.AN451 PNEUMATIC ROOFING COIL NAILER



# Model No.AN451 PNEUMATIC ROOFING COIL NAILER

Item No.	Parts No.	Description	Interchangability	Q'ty	New/Old	Note1	Note2
001-1	922241-7	HEX. SOCKET HEAD BOLT M5X25		4			
002	414957-3	COVER		1			
003	415235-4	MUFFLER		1			
004	258018-7	SPRING PIN 2.5-9		2			
005-3	151605-0	TOP CAP COMPLETE		1			
C10	819734-2	INDICATION LABEL		1			
006	261093-4	URETHANE WASHER 32		1			
007	421399-4	CUSHION R		1			
008	213416-2	O RING 26		1			
009	213462-5	O RING 33		1			
010	414935-3	MAIN VALVE		1			
011	213424-3	O RING 27		1			
012	213423-5	O RING 30		1			
013	213665-1	O RING 56		1			
014	233038-2	COMPRESSION SPRING 5		4			
015	316380-7	SUB VALVE		1			
016	213558-2	O RING 42		1			
017	421400-5	VALVE SHEET		1			
018-1	213656-2	O RING 53		1			
019	316409-9	CYLINDER		1			
020	213706-3	O RING 67		1			
021-1	213613-0	O RING 45		1			
022	213475-6	O RING 34		1			
023	150383-9	DRIVER COMPLETE		1			
024	421491-6	CUSHION F		1			
025-1	165207-6	CONTACT ARM		1			
027	233097-6	COMPRESSION SPRING 7		1			
028	258021-8	SPRING PIN 2-9		1			
029	256678-9	PIN 4		1			
030	233096-8	COMPRESSION SPRING 5		1			
031	162170-4	LEVER PIN 6		1			
032-1	265929-9	HEX. SOCKET HEAD BOLT M6X22		4			
033	262054-7	URETHANE RING 3		1			
034	442118-5	DRIVER GUIDE GASKET		1			
035	951072-7	SPRING PIN 3-24		1			
036	258004-8	SPRING PIN 2.5-16		1			
037	213218-6	O RING 16		1			
038	322530-4	TRIGGER VALVE STEM		1			
039-1	233425-5	COMPRESSION SPRING 3		1			
040	322531-2	PILOT VALVE		1			
041	951072-7	SPRING PIN 3-24		1			
042	258020-0	SPRING PIN 2.5-22		2			
043	857129-1	NAME PLATE AN451		1			
044	442109-6	TOP CAP GASKET		1			
045-3	151604-2	HOUSING COMPLETE		1			
C10	819733-4	INDICATION LABEL		1			
C20	819732-6	INDICATION LABEL		1			

046	442110-1	INLET CAP GASKET	1		
047	413054-2	INLET FILTER	1		
048-1	317861-4	INLET CAP	1		
049	922242-5	HEX. SOCKET HEAD BOLT M5X25	2		
050	286219-7	CAP 12	1		
051	343879-9	HOLDER	1		
052	213030-4	O RING 8	1		
053-1	213957-8	O RING 2	1		
054-1	213957-8	O RING 2	1		
055	322380-7	TRIGGER VALVE CASE	1		
056-1	344258-4	IDLER	1		
057-1	165133-9	TRIGGER	1		
058	262054-7	URETHANE RING 3	1		
059-1	310098-2	FEEDING CLAW	1		
060	231603-1	TORSION SPRING 6	1		
061	256432-1	PIN 4-4.5	1		
062-1	265903-7	HEX. SOCKET HEAD BOLT M5X12	1		
063	253999-0	WASHER 5	1		
064-1	267010-2	FLAT WASHER 5	1		
065	256679-7	PIN 4	1		
066	233095-0	COMPRESSION SPRING 4	1		
067	311913-3	CHECK CLAW	1		
068	311914-1	DOOR	1		
069	262054-7	URETHANE RING 3	1		
070-1	344256-8	MAGAZINE LOCK	1		
071	322532-0	LOCK PIN	1		
072	231307-5	COMPRESSION SPRING 6	1		
073	154457-8	MAGAZINE CAP COMPLETE	1		
C10	810072-5	CAUTION LABEL	1		
074	267010-2	FLAT WASHER 5	1		
075	414933-7	LOCK LEVER	1		
077-1	266233-9	HEX. SOCKET HEAD BOLT M5X12	1		
078	911105-0	PAN HEAD SCREW M4X6	1		
079	921322-4	HEX. BOLT M6X16	1		
080	341718-7	LOCK PLATE	1		
081	343977-9	LEVER PLATE	1		
082	257166-9	RING 9	1		
083	265919-2	HEX. SOCKET HEAD BOLT M5X30	1		
084	343978-7	SINGLE GUIDE	1		
085-1	165250-5	ADJUSTER PLATE	1		
086	414934-5	HOLDER CAP	1		
087	231793-0	TENSION SPRING 5	1		
088	423232-6	RUBBER PLATE 6-20	1		
089-1	415779-4	MAGAZINE	1		
090	415169-1	CHANGE PLATE	1		
091	414934-5	HOLDER CAP	1		
092	962112-6	RETAINING RING R-22	1		
093	262055-5	RUBBER RING 16	1		
094-1	344597-2	CUP WASHER 5	1		
095	233057-8	COMPRESSION SPRING 11	1		
096	322579-4	PISTON	1		
097	213261-5	O RING 17	1		

098	213007-9	O RING 8		1		
099	150386-3	DRIVER GUIDE COMPLETE		1		
100	311891-7	ADJUSTER		1		
101	165073-1	CONTACT TOP		1		
102	413060-7	SAFETY COVER		1		
103	253999-0	WASHER 5		1		
104	265919-2	HEX. SOCKET HEAD BOLT M5X30		1		
105	253999-0	WASHER 5		1		
106	951054-9	SPRING PIN 3-10		1		
107	344254-2	MAGAZINE GUARD		1		
108	911110-7	PAN HEAD SCREW M4X8		1		
109	344747-9	HOUSING GUARD F		2		
110	344748-7	HOUSING GUARD R		2		
111	266233-9	HEX. SOCKET HEAD BOLT M5X12		1		
A01	181434-7	OIL SUPPLY 30CC		1		
E02-1	192517-8	SAFETY GOGGLE		1	*	
E02-2	195246-2	SAFETY GOGGLE	<	1	*	

Please state Parts No. when your order.

Print Date 10/10/2023