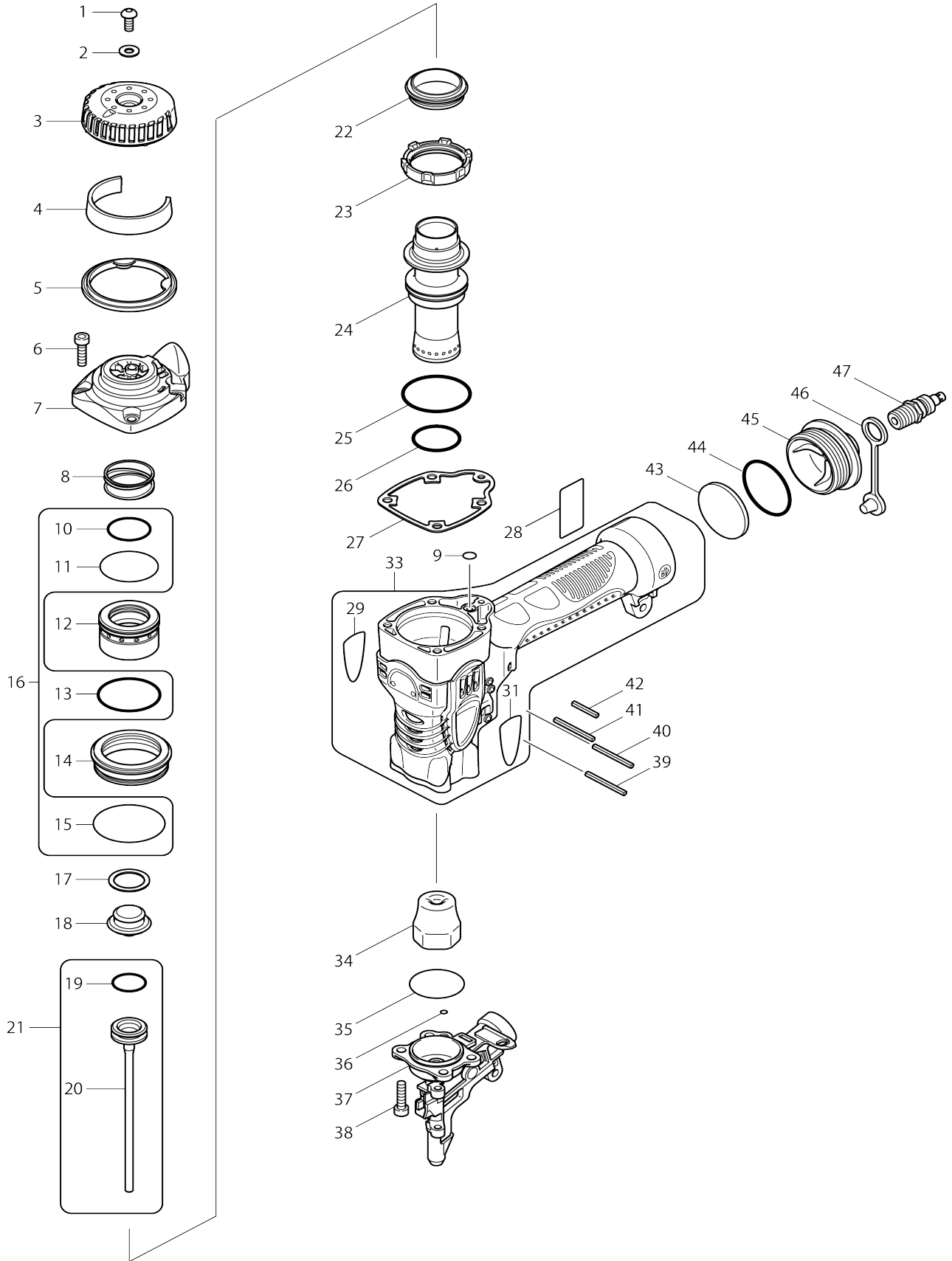
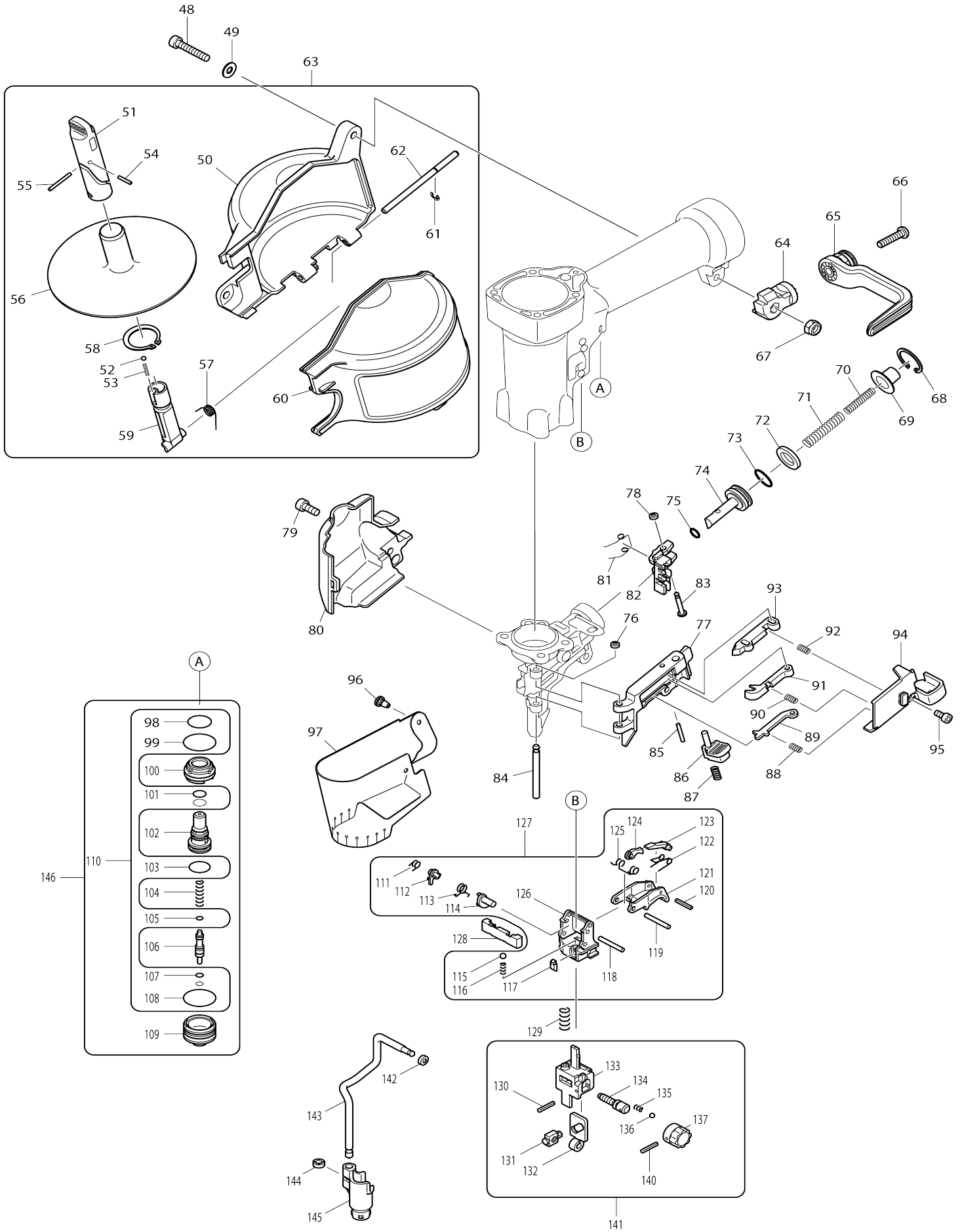


Model No.AN510H PNEUMATIC COIL NAILER



Model No. AN510H PNEUMATIC COIL NAILER



Model No.AN510H PNEUMATIC COIL NAILER

Item No.	Parts No.	Description	Interchangability	Q'ty	New/Old	Note1	Note2
001	266233-9	HEX. SOCKET HEAD BOLT M5X12		1	*		
001-1	265903-7	HEX. SOCKET HEAD BOLT M5X12	O	1			
002	267343-5	FLAT WASHER 5		1			
003	419764-9	EXHAUT COVER		1			
004	413106-9	FILTER		1			
005	419763-1	COVER SEAL		1			
006	266369-4	HEX SOCKET HEAD BOLT M5X20		4			
007	318252-2	TOP CAP		1			
008	234055-5	COMPRESSION SPRING 27		1			
009	213021-5	O RING 5		1			
010	213393-8	O RING 23		1			
011	213458-6	O RING 34		1			
012	419770-4	HEAD VALVE		1			
013	213510-0	O RING 36		1			
014	331744-4	HEAD VALVE GUIDE		1			
015	213561-3	O RING 42		1			
016	194736-2	AIR LEAK REPAIR SET		1			
D10		INC. 10,11,13,15,110					
017	267344-3	FLAT WASHER 18		1			
018	421993-2	REAR CUSHION		1			
019	213282-7	O-RING 17		1			
020	165458-1	DRIVER		1			
021	135135-9	DRIVER ASS'Y		1			
D10		INC. 19,20					
022	421994-0	VALVE SEAT		1			
023	331743-6	CYLINDER STAY		1			
024	331742-8	CYLINDER		1	*		
024-1	326756-0	CYLINDER	<	1			
025	213462-5	O RING 33		1			
026	213405-7	O RING 26		1	*		
026-1	213643-1	O RING 26	O	1			
027	162249-1	TOP CAP GASKET		1			
028	866113-5	AN510H NAME PLATE		1			
029	819333-0	MAKITA LOGO LABEL R		1			
031	819334-8	MAKITA LOGO LABEL L		1			
033	188650-2	HOUSING SET		1			
C10	816919-1	INDICATION LABEL		1			
D10		INC. 29,31					
034	421992-4	FRONT CUSHION		1			
035	213491-8	O RING 31		1	*		
035-1	213990-0	O-RING 31.5	O	1			
036	213034-6	O RING 3		1			
037	158171-8	DRIVER GUIDE COMPLETE		1			
038	266369-4	HEX SOCKET HEAD BOLT M5X20		4			
039	951078-5	SPRING PIN 3-32		1			
040	951078-5	SPRING PIN 3-32		1			
041	951078-5	SPRING PIN 3-32		1			

042	951069-6	SPRING PIN 3-20		1	*		
042-1	258033-1	SPRING PIN 3-22	O	1			
043	413105-1	INLET FILTER		1			
044	213521-5	O RING 36		1	*		
044-1	213506-1	O RING 36	O	1			
045	318108-9	INLET CAP		1			
046	286280-4	CAP 9		1			
047	243105-5	ONE-TOUCH JOINT H22PM		1			
048	265570-8	HEX.SOCKET HEAD BOLT M5X28		1			
049	267343-5	FLAT WASHER 5		1			
050	419768-1	MAGAZINE		1			
051	419767-3	CHANGE SLEEVE		1			
052	216001-0	STEEL BALL 3.5		1			
053	233492-0	COMPRESSION SPRING 2		1			
054	268169-8	PIN 2.5		1			
055	268167-2	PIN 2.5		1			
056	419766-5	CHANGE PLATE		1			
057	233505-7	TORSION SPRING 7		1			
058	961105-0	RETAINING RING S-25		1			
059	419765-7	CHANGE SHAFT		1	*		
059-1	459119-6	CHANGE SHAFT	O	1			
060	158916-4	MAGAGINE CAP COMPLETE		1			
C10	808229-0	AN510H MAGAZINE LABEL		1			
061	259042-3	STOP RING E-3		1			
062	268171-1	PIN 4		1			
063	135257-5	MAGAZINE ASS'Y		1	*		
D10		INC. 50-62					
063-1	136046-1	MAGAZINE ASSY	O	1			
D10		INC. 50-62					
064	162255-6	HOOK BASE		1			
065	419843-3	HOOK		1			
066	265176-2	PAN.HD.SCREW M5X22		1			
067	931202-6	HEX. NUT M5		1			
068	962101-1	RETAINING RING INT R-21		1			
069	345777-3	CUP WASHER		1	*		
069-1	346842-1	CUP WASHER	<	1	*		
069-2	326664-5	CAP WASHER	<	1	*		
069-3	326664-5	CAP WASHER	O	1	*		
069-4	327061-8	CUP WASHER	<	1			
070	233493-8	COMPRESSION SPRING 6		1			
071	233494-6	COMPRESSION SPRING 8		1			
072	262121-8	RUBBER RING 13		1			
073	213154-6	O RING 14		1			
074	324750-6	PISTON		1			
075	213007-9	O RING 8		1			
076	262120-0	URETHANE RING 3		1			
077	310189-9	DOOR		1			
078	262120-0	URETHANE RING 3		1			
079	265903-7	HEX. SOCKET HEAD BOLT M5X12		1			
080	419762-3	CONTACT ARM COVER		1			
081	231652-8	TORSION SPRING 6		1			
082	310116-6	FEEDING CLAW		1			

083	256463-0	SHOULDER PIN 3-4		1		
084	268170-3	PIN 4		1		
085	268183-4	PIN 3		1		
086	162247-5	LOCK LEVER		1		
087	234013-1	COMPRESSION SPRING 5		1		
088	233133-8	COMPRESSION SPRING 4		1		
089	344995-0	CHECK CLAW		1		
090	233133-8	COMPRESSION SPRING 4		1		
091	311998-9	NAIL HOLDER		1		
092	233133-8	COMPRESSION SPRING 4		1		
093	311997-1	ARM		1		
094	419761-5	DOOR COVER		1		
095	265903-7	HEX. SOCKET HEAD BOLT M5X12		1		
096	421418-6	RUBBER PIN 9.5		1		
097	413107-7	COVER		1		
098	213233-0	O-RING 15		1		
099	213275-4	O RING 18		1		
100	419732-2	TRIGGER VALVE GUIDE		1		
101	213968-3	O-RING 7		2		
102	419733-0	PILOT VALVE		1	*	
102-1	456262-2	PILOT VALVE	<	1		
103	213185-5	O-RING 12.5		1		
104	233485-7	COMPRESSION SPRING 4		1		
105	213034-6	O RING 3		1	*	
105-1	213044-3	O RING 3	S	1		
106	324743-3	TRIGGER VALVE STEM		1	*	
106-1	326189-9	TRIGGER VALVE STEM	S	1		
107	213979-8	O-RING 3		2	*	
107-1	213640-7	O-RING 3	S	2		
108	213275-4	O RING 18		1		
109	331741-0	TRIGGER VALVE CASE		1		
110	194736-2	AIR LEAK REPAIR SET		1		
D10		INC. 16,98,99,101,103,105,107,				
D20		INC. 108				
111	233501-5	TORSION SPRING 5		1		
112	310199-6	STOPPER PLATE		1		
113	233502-3	TORSION SPRING 6		1	*	
113-1	233576-4	TORSION SPRING 6	<	1		
114	310310-0	LEVER		1		
115	216024-8	STEEL BALL 4		1	*	
115-1	326144-1	LOCK PIN	<	1		
116	233490-4	COMPRESSION SPRING 2		1		
117	419743-7	SPRING COVER		1		
118	268168-0	PIN 3		1		
119	268168-0	PIN 3		1		
120	951007-8	SPRING PIN 2-12		1		
121	310294-2	TRIGGER		1		
122	231699-2	TORSION SPRING 4		1		
123	310196-2	TRIP LEVER		1		
124	310198-8	LEVER		1		
125	233503-1	TORSION SPRING 4		1		

126	419844-1	TRIGGER BASE		1		
127	135231-3	TRIGGER ASS'Y		1	*	
D10		INC. 111-126				
127-1	135494-1	TRIGGER ASS'Y	O	1		
D10		INC. 111-126				
128	310293-4	CHANGE ROD		1		
129	234012-3	COMPRESSION SPRING 6		1		
130	951010-9	SPRING PIN 2-14		1		
131	310201-5	ADJUSTER PIECE		1		
132	345775-7	SLIDE PLATE		1		
133	310234-0	UPPER YOKE		1		
134	324745-9	ADJUSTER SHAFT		1		
135	233491-2	COMPRESSION SPRING 2		1		
136	216031-1	STEEL BALL 2.3		1		
137	158747-1	ADJUSTER COMPLETE		1		
140	951010-9	SPRING PIN 2-14		1		
141	135232-1	ADJUSTER ASS'Y		1		
D10		INC. 130-137,140				
142	262120-0	URETHANE RING 3		1		
143	324751-4	ARM		1		
144	262128-4	URETHANE RING 4		1		
145	310240-5	CONTACT TOP		1		
146	135598-9	TRIGGER VALVE ASS'Y		1	*	
D10		INC. 98-109				
146-1	135681-2	TRIGGER VALVE ASS'Y	<	1		
D10		INC. 98-109				
A01	192517-8	SAFETY GOGGLE		1	*	
A01-1	195246-2	SAFETY GOGGLE	<	1	*	
A02	194381-3	OIL SUPPLY SET		1		
A03	421996-6	BOARD ADAPTER		1		
A04	421997-4	FLOOR ADAPTER		1		
A05	824793-3	PLASTIC CARRYING CASE		1		
C10	163455-1	LATCH		2		
C20	419360-3	HANDLE		1		

Please state Parts No. when your order.

Print Date 10/10/2023