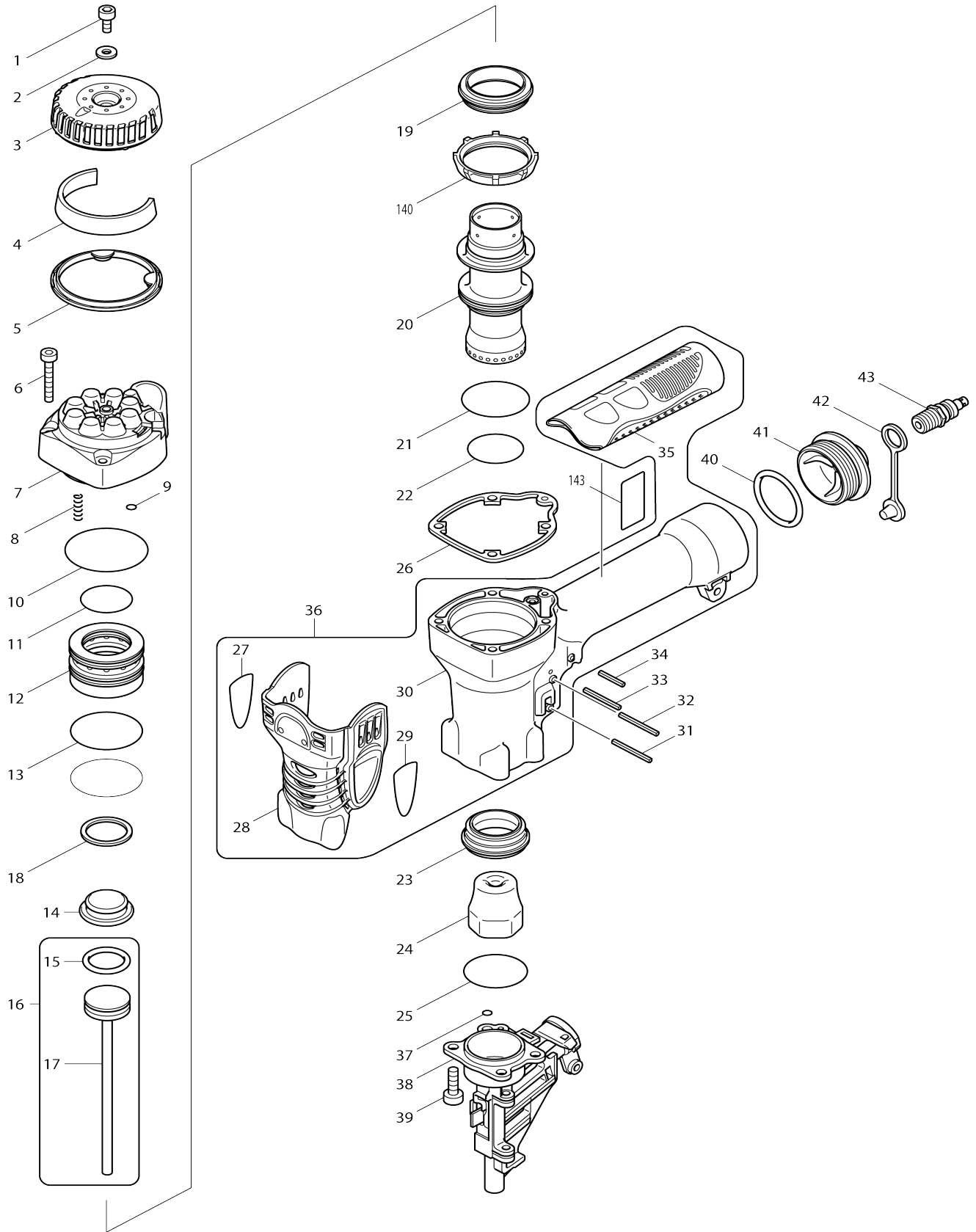
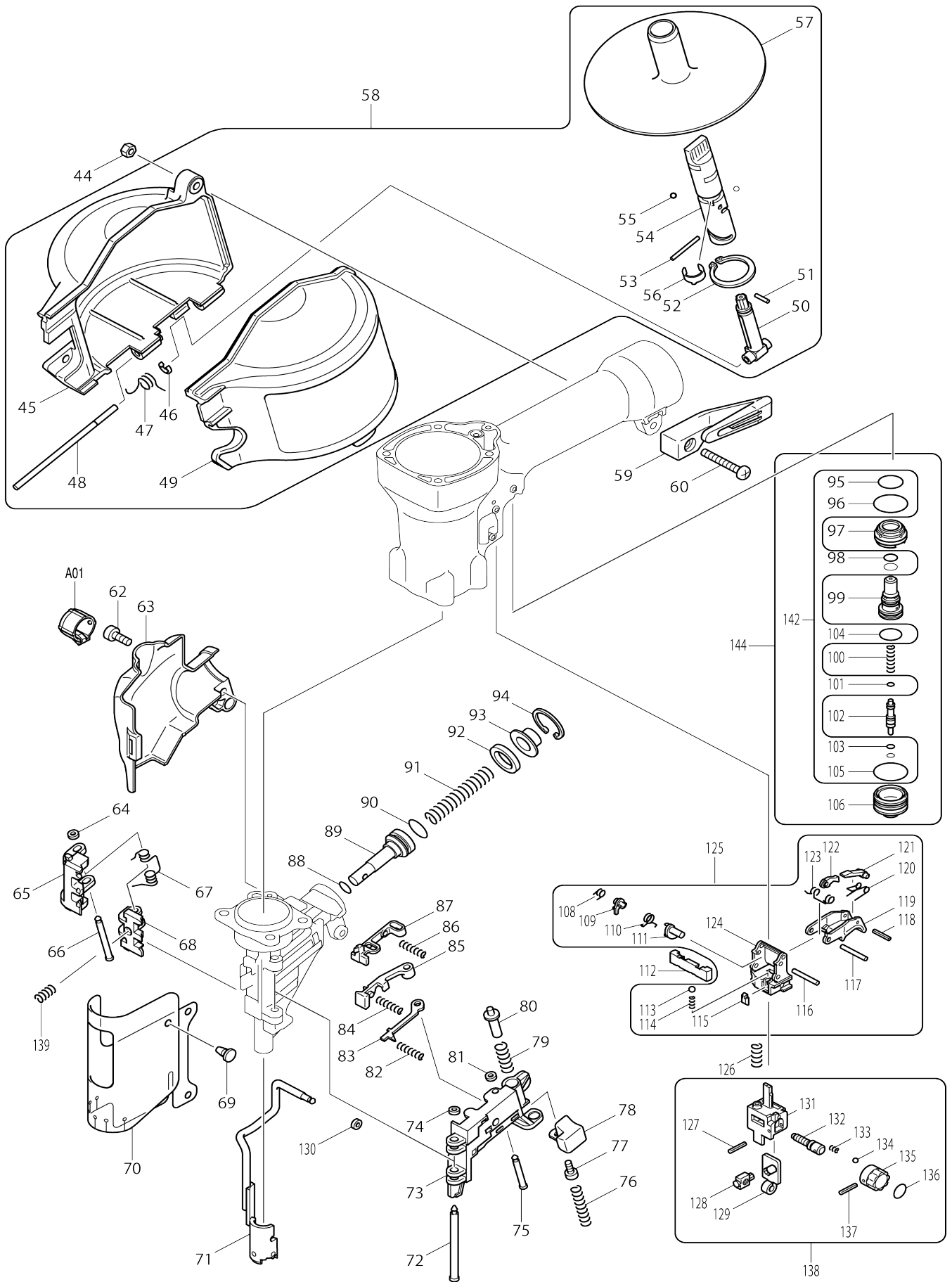


# Model No.AN610H PNEUMATIC COIL NAILER



# Model No.AN610H PNEUMATIC COIL NAILER



Model No.AN610H PNEUMATIC COIL NAILER

| Item No. | Parts No. | Description                 | Interchangability | Q'ty | New/Old | Note1 | Note2 |
|----------|-----------|-----------------------------|-------------------|------|---------|-------|-------|
| 001      | 922212-4  | HEX. SOCKET HEAD BOLT M5X12 |                   | 1    |         |       |       |
| 002      | 267343-5  | FLAT WASHER 5               |                   | 1    |         |       |       |
| 003      | 419734-8  | EXHAUST COVER               |                   | 1    | *       |       |       |
| 003-1    | 453875-0  | EXHAUST COVER               | <                 | 1    |         |       |       |
| 004      | 413103-5  | FILTER                      |                   | 1    |         |       |       |
| 005      | 419735-6  | COVER SEAL                  |                   | 1    |         |       |       |
| 006      | 922257-2  | HEX. SOCKET HEAD BOLT M5X35 |                   | 4    |         |       |       |
| 007      | 318109-7  | TOP CAP                     |                   | 1    |         |       |       |
| 008      | 233484-9  | COMPRESSION SPRING 4        |                   | 8    |         |       |       |
| 009      | 213021-5  | O RING 5                    |                   | 1    |         |       |       |
| 010      | 213604-1  | O RING 50                   |                   | 1    |         |       |       |
| 011      | 213447-1  | O-RING 30                   |                   | 1    | *       |       |       |
| 011-1    | 213423-5  | O RING 30                   | O                 | 1    |         |       |       |
| 012      | 419736-4  | HEAD VALVE                  |                   | 1    |         |       |       |
| 013      | 213558-2  | O RING 42                   |                   | 2    |         |       |       |
| 014      | 421983-5  | REAR CUSHION                |                   | 1    |         |       |       |
| 015      | 213967-5  | O-RING 22.5                 |                   | 1    |         |       |       |
| 016      | 135235-5  | DRIVER ASSY                 |                   | 1    |         |       |       |
| D10      |           | INC. 15,17                  |                   |      |         |       |       |
| 017      | 168500-7  | DRIVER                      |                   | 1    |         |       |       |
| 018      | 267342-7  | FLAT WASHER 26              |                   | 1    |         |       |       |
| 019      | 421981-9  | VALVE SEAT                  |                   | 1    |         |       |       |
| 020      | 331740-2  | CYLINDER                    |                   | 1    | *       |       |       |
| 020-1    | 326758-6  | CYLINDER                    | <                 | 1    |         |       |       |
| 021      | 213509-5  | O RING 40                   |                   | 1    |         |       |       |
| 022      | 213475-6  | O RING 34                   |                   | 1    |         |       |       |
| 023      | 324742-5  | CYLINDER GUIDE              |                   | 1    |         |       |       |
| 024      | 421982-7  | FRONT CUSHION               |                   | 1    |         |       |       |
| 025      | 213528-1  | O-RING 38                   |                   | 1    |         |       |       |
| 026      | 162246-7  | TOP CAP GASKET              |                   | 1    |         |       |       |
| 027      | 819321-7  | MAKITA LOGO LABEL R         |                   | 1    |         |       |       |
| 029      | 819322-5  | MAKITA LOGO LABEL L         |                   | 1    |         |       |       |
| 031      | 951078-5  | SPRING PIN 3-32             |                   | 1    |         |       |       |
| 032      | 951078-5  | SPRING PIN 3-32             |                   | 1    |         |       |       |
| 033      | 258029-2  | SPRING PIN 3-30             |                   | 1    | *       |       |       |
| 034      | 951069-6  | SPRING PIN 3-20             |                   | 1    |         |       |       |
| 036      | 188604-9  | HOUSING SET                 |                   | 1    |         |       |       |
| C10      | 816919-1  | INDICATION LABEL            |                   | 1    |         |       |       |
| D10      |           | INC. 27,29                  |                   |      |         |       |       |
| 037      | 213970-6  | O-RING 4                    |                   | 1    |         |       |       |
| 038      | 310250-2  | DRIVER GUIDE                |                   | 1    |         |       |       |
| 039      | 922332-4  | HEX. SOCKET HEAD BOLT M6X20 |                   | 4    |         |       |       |
| 040      | 213521-5  | O RING 36                   |                   | 1    | *       |       |       |
| 040-1    | 213506-1  | O RING 36                   | O                 | 1    |         |       |       |
| 041      | 318108-9  | INLET CAP                   |                   | 1    |         |       |       |
| 042      | 286280-4  | CAP 9                       |                   | 1    |         |       |       |
| 043      | 243105-5  | ONE-TOUCH JOINT H22PM       |                   | 1    |         |       |       |

|       |          |                             |   |   |   |  |
|-------|----------|-----------------------------|---|---|---|--|
| 044   | 264008-0 | HEX. ROCK NUT M5-8          |   | 1 |   |  |
| 045   | 419737-2 | MAGAZINE                    |   | 1 | * |  |
| 045-1 | 453103-3 | MAGAZINE                    | < | 1 | * |  |
| 045-2 | 457138-6 | MAGAZINE                    | < | 1 |   |  |
| 046   | 259042-3 | STOP RING E-3               |   | 1 |   |  |
| 047   | 233504-9 | TORSION SPRING 8            |   | 1 |   |  |
| 048   | 256773-5 | PIN 4                       |   | 1 |   |  |
| 049   | 158936-8 | MAGAZINE CAP COMPLETE       |   | 1 |   |  |
| C10   | 808231-3 | AN610H MAGAZINE LABEL       |   | 1 |   |  |
| 050   | 419747-9 | ADJUST SHAFT                |   | 1 | * |  |
| 050-1 | 456962-4 | ADJUST SHAFT                | < | 1 |   |  |
| 051   | 268166-4 | PIN 2.5                     |   | 1 |   |  |
| 052   | 961105-0 | RETAINING RING S-25         |   | 1 |   |  |
| 053   | 268167-2 | PIN 2.5                     |   | 1 |   |  |
| 054   | 419746-1 | ADJUST SLEEVE               |   | 1 |   |  |
| 055   | 216001-0 | STEEL BALL 3.5              |   | 2 |   |  |
| 056   | 232233-1 | LEAF SPRING                 |   | 1 |   |  |
| 057   | 419745-3 | CHANGE PLATE                |   | 1 |   |  |
| 058   | 135233-9 | MAGAZINE ASSY               |   | 1 | * |  |
| D10   |          | INC. 45-57                  |   |   |   |  |
| 058-1 | 135498-3 | MAGAZINE ASSY               | < | 1 | * |  |
| D10   |          | INC. 45-57                  |   |   |   |  |
| 058-2 | 135805-0 | MAGAZINE ASSEMBLY           | < | 1 |   |  |
| D10   |          | INC. 45-57                  |   |   |   |  |
| 059   | 419739-8 | HOOK                        |   | 1 |   |  |
| 060   | 911257-7 | PAN HEAD SCREW M5X35        |   | 1 | * |  |
| 060-1 | 911258-5 | PAN HEAD SCREW M5X35        | < | 1 |   |  |
| 062   | 922212-4 | HEX. SOCKET HEAD BOLT M5X12 |   | 1 |   |  |
| 063   | 450828-0 | CONTACT ARM COVER           |   | 1 |   |  |
| 064   | 262054-7 | URETHANE RING 3             |   | 1 |   |  |
| 065   | 310046-1 | FEEDING CLAW F              |   | 1 |   |  |
| 066   | 268027-8 | PIN 4                       |   | 1 |   |  |
| 067   | 231632-4 | TORSION SPRING 6            |   | 1 |   |  |
| 068   | 310186-5 | FEEDING CLAW R              |   | 1 |   |  |
| 069   | 421418-6 | RUBBER PIN 9.5              |   | 2 |   |  |
| 070   | 413127-1 | COVER                       |   | 1 |   |  |
| 071   | 165542-2 | CONTACT ARM                 |   | 1 |   |  |
| 072   | 268025-2 | PIN 5                       |   | 1 |   |  |
| 073   | 310182-3 | DOOR                        |   | 1 |   |  |
| 074   | 262054-7 | URETHANE RING 3             |   | 1 |   |  |
| 075   | 268024-4 | PIN 4                       |   | 1 |   |  |
| 076   | 233204-1 | COMPRESSION SPRING 5        |   | 1 |   |  |
| 077   | 266167-6 | HEX. SOCKET HEAD BOLT M4X10 |   | 1 |   |  |
| 078   | 310050-0 | LOCK LEVER                  |   | 1 |   |  |
| 079   | 233201-7 | COMPRESSION SPRING 6        |   | 1 |   |  |
| 080   | 323713-9 | LOCK PIN                    |   | 1 |   |  |
| 081   | 262054-7 | URETHANE RING 3             |   | 1 |   |  |
| 082   | 233101-1 | COMPRESSION SPRING 4        |   | 1 |   |  |
| 083   | 345758-7 | CHECK CLAW                  |   | 1 |   |  |
| 084   | 233101-1 | COMPRESSION SPRING 4        |   | 1 |   |  |
| 085   | 310179-2 | NAIL HOLDER                 |   | 1 |   |  |
| 086   | 233101-1 | COMPRESSION SPRING 4        |   | 1 |   |  |

|       |          |                      |   |   |   |  |
|-------|----------|----------------------|---|---|---|--|
| 087   | 310184-9 | ARM                  |   | 1 |   |  |
| 088   | 213054-0 | O RING 9             |   | 1 |   |  |
| 089   | 324962-1 | PISTON               |   | 1 |   |  |
| 090   | 213154-6 | O RING 14            |   | 1 |   |  |
| 091   | 233198-0 | COMPRESSION SPRING 9 |   | 1 |   |  |
| 092   | 262075-9 | RUBBER RING 16       |   | 1 |   |  |
| 093   | 344452-8 | CUP WASHER 5         |   | 1 |   |  |
| 094   | 962103-7 | RETAINING RING R-24  |   | 1 |   |  |
| 095   | 213233-0 | O-RING 15            |   | 1 |   |  |
| 096   | 213275-4 | O RING 18            |   | 1 |   |  |
| 097   | 419732-2 | TRIGGER VALVE GUIDE  |   | 1 |   |  |
| 098   | 213968-3 | O-RING 7             |   | 2 |   |  |
| 099   | 419733-0 | PILOT VALVE          |   | 1 | * |  |
| 099-1 | 456262-2 | PILOT VALVE          | < | 1 |   |  |
| 100   | 233485-7 | COMPRESSION SPRING 4 |   | 1 |   |  |
| 101   | 213034-6 | O RING 3             |   | 1 | * |  |
| 101-1 | 213044-3 | O RING 3             | S | 1 |   |  |
| 102   | 324743-3 | TRIGGER VALVE STEM   |   | 1 | * |  |
| 102-1 | 326189-9 | TRIGGER VALVE STEM   | S | 1 |   |  |
| 103   | 213979-8 | O-RING 3             |   | 2 | * |  |
| 103-1 | 213640-7 | O-RING 3             | S | 2 |   |  |
| 104   | 213185-5 | O-RING 12.5          |   | 1 |   |  |
| 105   | 213275-4 | O RING 18            |   | 1 |   |  |
| 106   | 331741-0 | TRIGGER VALVE CASE   |   | 1 |   |  |
| 108   | 233501-5 | TORSION SPRING 5     |   | 1 |   |  |
| 109   | 310199-6 | STOPPER PLATE        |   | 1 |   |  |
| 110   | 233502-3 | TORSION SPRING 6     |   | 1 | * |  |
| 110-1 | 233576-4 | TORSION SPRING 6     | < | 1 |   |  |
| 111   | 310197-0 | LEVER                |   | 1 | * |  |
| 111-1 | 310310-0 | LEVER                | X | 1 |   |  |
| 112   | 310293-4 | CHANGE ROD           |   | 1 |   |  |
| 113   | 216024-8 | STEEL BALL 4         |   | 1 | * |  |
| 113-1 | 326144-1 | LOCK PIN             | < | 1 |   |  |
| 114   | 233490-4 | COMPRESSION SPRING 2 |   | 1 |   |  |
| 115   | 419743-7 | SPRING COVER         |   | 1 |   |  |
| 116   | 268168-0 | PIN 3                |   | 1 |   |  |
| 117   | 268168-0 | PIN 3                |   | 1 |   |  |
| 118   | 951007-8 | SPRING PIN 2-12      |   | 1 |   |  |
| 119   | 310294-2 | TRIGGER              |   | 1 |   |  |
| 120   | 231699-2 | TORSION SPRING 4     |   | 1 |   |  |
| 121   | 310196-2 | TRIP LEVER           |   | 1 |   |  |
| 122   | 310198-8 | LEVER                |   | 1 |   |  |
| 123   | 233503-1 | TORSION SPRING 4     |   | 1 |   |  |
| 124   | 419844-1 | TRIGGER BASE         |   | 1 |   |  |
| 125   | 135231-3 | TRIGGER ASS'Y        |   | 1 | * |  |
| D10   |          | INC. 108-111,113-124 |   |   |   |  |
| 125-1 | 135494-1 | TRIGGER ASS'Y        | O | 1 |   |  |
| D10   |          | INC. 108-111,113-124 |   |   |   |  |
| 126   | 233489-9 | COMPRESSION SPRING 6 |   | 1 |   |  |
| 127   | 951010-9 | SPRING PIN 2-14      |   | 1 |   |  |
| 128   | 310201-5 | ADJUSTER PIECE       |   | 1 |   |  |
|       |          |                      |   |   |   |  |

|       |          |                          |   |   |   |  |
|-------|----------|--------------------------|---|---|---|--|
| 129   | 345775-7 | SLIDE PLATE              |   | 1 |   |  |
| 130   | 262120-0 | URETHANE RING 3          |   | 1 |   |  |
| 131   | 310234-0 | UPPER YOKE               |   | 1 |   |  |
| 132   | 324745-9 | ADJUSTER SHAFT           |   | 1 |   |  |
| 133   | 233491-2 | COMPRESSION SPRING 2     |   | 1 |   |  |
| 134   | 216031-1 | STEEL BALL 2.3           |   | 1 |   |  |
| 135   | 158747-1 | ADJUSTER COMPLETE        |   | 1 |   |  |
| 137   | 951010-9 | SPRING PIN 2-14          |   | 1 |   |  |
| 138   | 135232-1 | ADJUSTER ASS'Y           |   | 1 |   |  |
| D10   |          | INC. 127-129,131-135,137 |   |   |   |  |
| 139   | 233081-1 | COMPRESSION SPRING 3     |   | 1 |   |  |
| 140   | 331739-7 | CYLINDER STAY            |   | 1 |   |  |
| 141   | 194735-4 | AIR LEAK REPAIR SET      |   | 1 |   |  |
| D10   |          | INC. 11,13,95,96,98,101, |   |   |   |  |
| D20   |          | INC. 103-105             |   |   |   |  |
| 143   | 866116-9 | AN610H NAME PLATE        |   | 1 |   |  |
| 144   | 135598-9 | TRIGGER VALVE ASS'Y      |   | 1 | * |  |
| D10   |          | INC. 95-106              |   |   |   |  |
| 144-1 | 135681-2 | TRIGGER VALVE ASS'Y      | < | 1 |   |  |
| D10   |          | INC. 95-106              |   |   |   |  |
| A01   | 421574-2 | NOSE ADAPTER             |   | 1 |   |  |
| A02   | 192517-8 | SAFETY GOGGLE            |   | 1 | * |  |
| A02-1 | 195246-2 | SAFETY GOGGLE            | < | 1 | * |  |
| A03   | 194381-3 | OIL SUPPLY SET           |   | 1 |   |  |
| A04   | 824490-1 | PLASTIC CARRYING CASE    |   | 1 |   |  |
| C10   | 186347-7 | SLIDE LATCH SET          |   | 1 |   |  |

Please state Parts No. when your order.

Print Date 10/11/2023