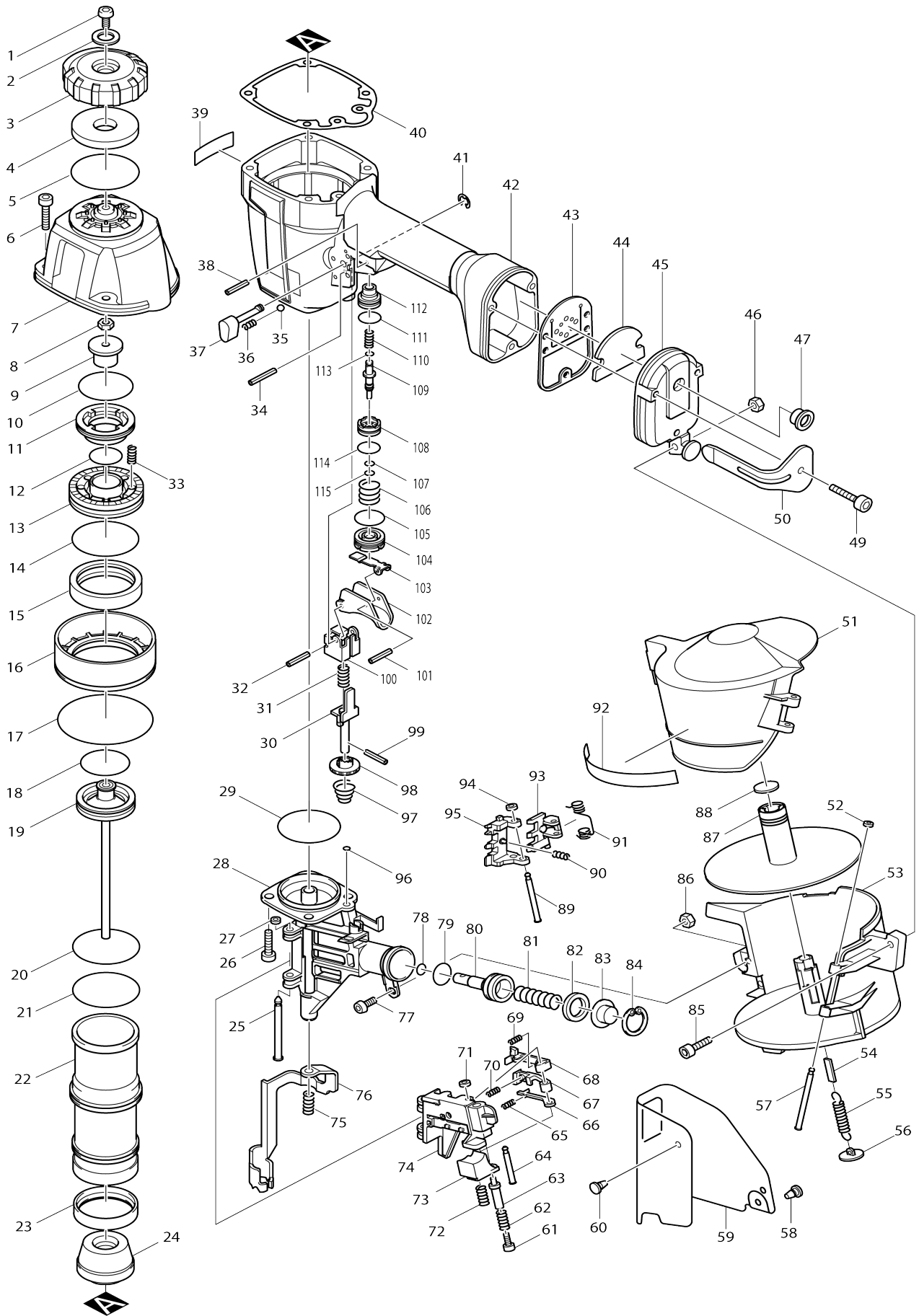


Model No.AN611 PNEUMATIC COIL NAILER



Model No.AN611 PNEUMATIC COIL NAILER

Item No.	Parts No.	Description	Interchangability	Q'ty	New/Old	Note1	Note2
001	266169-2	H.S. BUTTON HEAD BOLT M5X12		1			
002	267171-8	FLAT WASHER 6		1			
003	416233-1	EXTHAUST COVER		1			
004	423300-5	FILTER		1	*		
004-1	422445-6	FILTER	O	1			
005	213604-1	O RING 50		1			
006	922242-5	HEX. SOCKET HEAD BOLT M5X25		4			
007-1	317287-0	TOP CAP		1			
008	931202-6	HEX. NUT M5		1			
009	421573-4	CUSHION R		1			
010	213513-4	O RING 39		1			
011	416234-9	SEPARATOR		1			
012	213393-8	O RING 23		1			
013	416236-5	HEAD VALVE		1			
014	213616-4	O RING 48		1			
015	421576-8	VALVE SHEET		1			
016	416235-7	CYLINDER SEPARATOR		1			
017	213706-3	O RING 67		1			
018	213521-5	O RING 36		1			
019	150744-3	DRIVER COMPLETE		1			
020	213608-3	O RING 47		1			
021	213615-6	O RING 46		1			
022-1	331567-0	CYLINDER		1			
023	323716-3	CUSHION GUIDE		1			
024	421575-0	CUSHION F		1			
025	268025-2	PIN 5		1			
026	265844-7	HEX. SOCKET HEAD BOLT M6X20		4			
027	262054-7	URETHANE RING 3		1			
028-1	310169-5	DRIVER GUIDE		1	*		
028-2	310473-2	DRIVER GUIDE	S	1			
029	213569-7	O RING 45		1			
030	310055-0	STOPPER		1			
031	233197-2	COMPRESSION SPRING 7		1			
032	951075-1	SPRING PIN 3-28		1			
033	233199-8	COMPRESSION SPRING 3		8			
034	951075-1	SPRING PIN 3-28		1			
035	216008-6	STEEL BALL 4		1			
036	231236-2	COMPRESSION SPRING 3		1			
037	162189-3	LOCK PIN 6		1			
038	258010-3	SPRING PIN 2.5-25		2			
039-1	863754-8	NAME PLATE AN611		1			
040	162190-8	TOP CAP GASKET		1			
041	961011-9	STOP RING E-4		1			
042B_	151592-3	HOUSING COMPLETE		1			
C10	421527-1	GRIP		1			
C20	421643-9	HOUSING BUMPER R		1			
C30	421644-7	HOUSING BUMPER L		1			

C40	816312-9	INDICATION LABEL		1		
043	162198-2	INLET CAP GASKET		1		
044	415784-1	INLET FILTER		1		
045	316887-3	INLET CAP		1		
046-1	252103-8	HEX. LOCK NUT M5-8		1		
047A2	286219-7	CAP 12		1		
049	922252-2	HEX. SOCKET HEAD BOLT M5X30		3		
050	344267-3	HOOK		1		
051	416237-3	MAGAZINE CAP		1	*	
051-1	141201-2	MAGAZINE CAP COMPLETE	S	1		
C10	810071-7	CAUTION LABEL		1		
052	262054-7	URETHANE RING 3		1		
053	141020-6	MAGAZINE COMPLETE		1	*	
C10	810071-7	CAUTION LABEL		1	*	
053-1	416239-9	MAGAZINE	S	1		
054	423232-6	RUBBER PLATE 6-20		1		
055	231791-4	TENSION SPRING 5		1		
056	414934-5	HOLDER CAP		1		
057	268026-0	PIN 4		1		
058	421418-6	RUBBER PIN 9.5		1		
059	413069-9	COVER		1		
060	421418-6	RUBBER PIN 9.5		1		
061	266167-6	HEX. SOCKET HEAD BOLT M4X10		1		
062	233201-7	COMPRESSION SPRING 6		1		
063	323713-9	LOCK PIN		1		
064	268024-4	PIN 4		1		
065	233101-1	COMPRESSION SPRING 4		1		
066	344633-4	CHECK CLAW		1		
067-1	310179-2	NAIL HOLDER		1		
068-1	310184-9	ARM		1		
069	233101-1	COMPRESSION SPRING 4		1		
070	233101-1	COMPRESSION SPRING 4		1		
071	262054-7	URETHANE RING 3		1		
072	233204-1	COMPRESSION SPRING 5		1		
073	310050-0	LOCK LEVER		1		
074-2	310180-7	DOOR		1	*	
074-3	310472-4	DOOR	S	1		
075	233127-3	COMPRESSION SPRING 7		1		
076-1	345640-0	CONTACT ARM		1		
077-3	265487-5	H.S. BUTTON HEAD BOLT M5X16		1		
078	213054-0	O RING 9		1		
079	213261-5	O RING 17		1		
080	323714-7	PISTON		1		
081	233198-0	COMPRESSION SPRING 9		1		
082	262075-9	RUBBER RING 16		1		
083	344452-8	CUP WASHER 5		1		
084	962103-7	RETAINING RING R-24		1		
085-1	922231-0	HEX. SOCKET HEAD BOLT M5X20		1		
087	416238-1	CHANGE PLATE		1		
088	414934-5	HOLDER CAP		1		
089	268027-8	PIN 4		1		
090	233081-1	COMPRESSION SPRING 3		1		

091	231632-4	TORSION SPRING 6		1		
092	818599-9	INDICATION LABEL		1		
093	310047-9	FEEDING CLAW R		1		
094	262054-7	URETHANE RING 3		1		
095	310046-1	FEEDING CLAW F		1		
096	213017-6	O RING 6		1		
097	231978-8	CONICAL COMP. SPRING 9-16		1		
098	310056-8	ADJUSTER		1		
099	951010-9	SPRING PIN 2-14		1		
100-1	344895-4	HOLDER		1		
101	258004-8	SPRING PIN 2.5-16		1		
102	415790-6	TRIGGER		1		
103	344265-7	IDLER		1		
104	323727-8	TRIGGER VALVE CASE		1		
105	213315-8	O RING 19		1		
106	233136-2	COMPRESSION SPRING 14		1		
107	213023-1	O RING 4		1		
108	415789-1	PILOT VALVE		1		
109	322993-4	TRIGGER VALVE STEM		1		
110	233189-1	COMPRESSION SPRING 6		1		
111	213162-7	O RING 14		1		
112	416379-3	TRIGGER VALVE GUIDE		1		
113	213023-1	O RING 4		1		
114	213162-7	O RING 14		1		
115	213023-1	O RING 4		1		
A01-1	195246-2	SAFETY GOGGLE		1	*	
A02	181434-7	OIL SUPPLY 30CC		1		
A04	783202-0	HEX. WRENCH 4		1		
A05	824490-1	PLASTIC CARRYING CASE		1		
C10	186347-7	SLIDE LATCH SET		1		
B01	193007-4	FIRST AID KIT		1		
E01	346130-6	GUARD PLATE		1		

Please state Parts No. when your order.

Print Date 10/11/2023