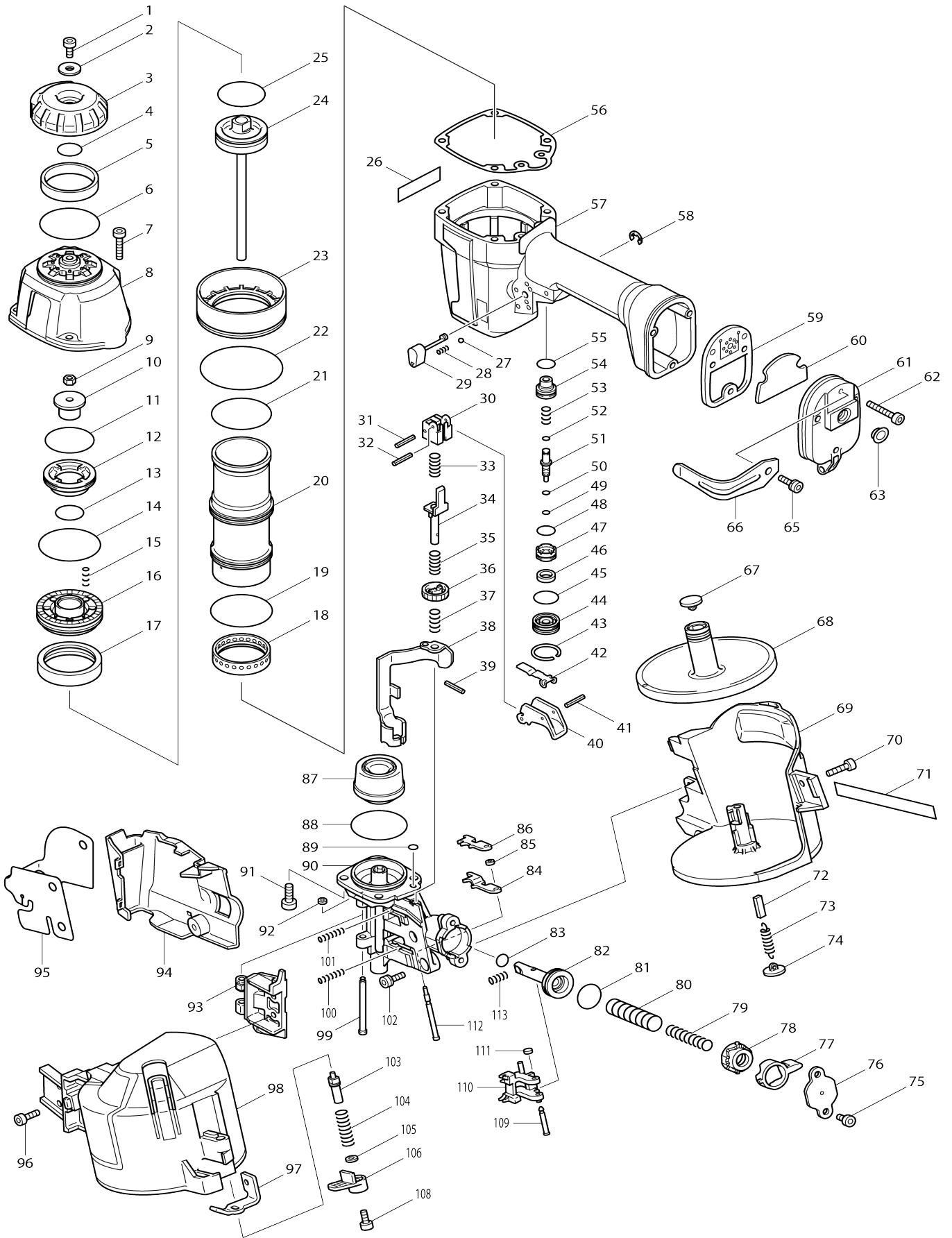


# Model No.AN621 PNEUMATIC COIL NAILER



**Model No.AN621 PNEUMATIC COIL NAILER**

Item No.	Parts No.	Description	Interchangability	Q'ty	New/Old	Note1	Note2
001	265903-7	HEX. SOCKET HEAD BOLT M5X12		1			
002	267171-8	FLAT WASHER 6		1			
003	317345-2	EXTHAUST COVER		1			
004	213255-0	O RING 18		1			
005	323863-0	EXHAUST FILTER		1			
006	213604-1	O RING 50		1			
007	922242-5	HEX. SOCKET HEAD BOLT M5X25		4			
008	317287-0	TOP CAP		1			
009	931202-6	HEX. NUT M5		1			
010	421573-4	CUSHION R		1			
011	213513-4	O RING 39		1			
012	416234-9	SEPARATOR		1			
013	213393-8	O RING 23		1			
014	213616-4	O RING 48		1			
015	233199-8	COMPRESSION SPRING 3		8			
016	416236-5	HEAD VALVE		1			
017	421576-8	VALVE SHEET		1			
018	323979-1	CUSHION GUIDE		1			
019	213616-4	O RING 48		1			
020	331573-5	CYLINDER		1			
021	213608-3	O RING 47		1			
022	213706-3	O RING 67		1			
023	416235-7	CYLINDER SEPARATOR		1			
024	152756-2	DRIVER COMPLETE		1			
025	213521-5	O RING 36		1			
026	852995-1	NAME PLATE AN621		1			
027	216008-6	STEEL BALL 4		1			
028	231236-2	COMPRESSION SPRING 3		1			
029	162189-3	LOCK PIN 6		1			
030	344895-4	HOLDER		1			
031	951075-1	SPRING PIN 3-28		1			
032	951075-1	SPRING PIN 3-28		1			
033	233039-0	COMPRESSION SPRING 7		1			
034	310104-3	STOPPER		1			
035	233267-7	COMPRESSION SPRING 7		1			
036	310101-9	ADJUSTER		1			
037	233382-7	COMPRESSION SPRING 6		1			
038	344865-3	CONTACT ARM		1			
039	951010-9	SPRING PIN 2-14		1			
040	415790-6	TRIGGER		1			
041	258004-8	SPRING PIN 2.5-16		1			
042	344265-7	IDLER		1			
043	258010-3	SPRING PIN 2.5-25		2			
044	323727-8	TRIGGER VALVE CASE		1			
045	213315-8	O RING 19		1			
046	257229-1	RING 12		1			
047	415789-1	PILOT VALVE		1			

048	213162-7	O RING 14		1		
049	213023-1	O RING 4		1		
050	213023-1	O RING 4		1		
051	323978-3	TRIGGER VALVE STEM		1		
052	213023-1	O RING 4		1		
053	233189-1	COMPRESSION SPRING 6		1		
054	416379-3	TRIGGER VALVE GUIDE		1		
055	213162-7	O RING 14		1		
056	162190-8	TOP CAP GASKET		1		
057	152844-5	HOUSING COMPLETE		1	*	
C10	421527-1	GRIP		1	*	
C20	421643-9	HOUSING BUMPER R		1	*	
C30	421644-7	HOUSING BUMPER L		1	*	
C40	810767-0	CAUTION LABEL		1	*	
C50	816791-1	OPERATIONAL INDICATION LABEL		1	*	
057-1	158105-1	HOUSING COMPLETE	<	1		
C10	421527-1	GRIP		1		
C20	421643-9	HOUSING BUMPER R		1		
C30	421644-7	HOUSING BUMPER L		1		
C40	816791-1	OPERATIONAL INDICATION LABEL		1		
058	961011-9	STOP RING E-4		1		
059	162198-2	INLET CAP GASKET		1		
060	415784-1	INLET FILTER		1		
061	317129-8	INLET CAP		1		
062	922252-2	HEX. SOCKET HEAD BOLT M5X30		3		
063-2	286219-7	CAP 12		1		
065	922216-6	H.S.H.BOLT M5X14 WITH W		1		
066	344720-9	HOOK		1		
067	414934-5	HOLDER CAP		1		
068	417173-6	CHANGE PLATE		1		
069	154455-2	MAGAZINE COMPLETE		1		
C10	810071-7	CAUTION LABEL		1		
070	265973-6	HEX. SOCKET HEAD BOLT M5X20		1		
071	813776-8	INDICATION LABEL		1		
072	423232-6	RUBBER PLATE 6-20		1		
073	231791-4	TENSION SPRING 5		1		
074	414934-5	HOLDER CAP		1		
075	265903-7	HEX. SOCKET HEAD BOLT M5X12		2		
076	344864-5	CYLINDER COVER		1		
077	310102-7	CHANGE LEVER		1		
078	310103-5	PISTON STOPPER		1		
079	233198-0	COMPRESSION SPRING 9		1		
080	233268-5	COMPRESSION SPRING 14		1		
081	213379-2	O RING 21		1		
082	323977-5	PISTON		1		
083	213055-8	O RING 10		1		
084	344862-9	CHECK CLAW F		1		
085	262054-7	URETHANE RING 3		1		
086	344863-7	CHECK CLAW R		1		
087	421722-3	CUSHION F		1		

088	213569-7	O RING 45		1		
089	213017-6	O RING 6		1		
090	151924-4	DRIVER GUIDE COMPLETE		1		
091	265844-7	HEX. SOCKET HEAD BOLT M6X20		4		
092	262054-7	URETHANE RING 3		1		
093	310106-9	DOOR		1		
094	417175-2	CONTACT ARM COVER		1		
095	417174-4	COVER		1		
096	266233-9	HEX. SOCKET HEAD BOLT M5X12		2		
097	344861-1	MAGAZINE LOCK		1		
098	417176-0	MAGAZINE CAP		1		
099	268025-2	PIN 5		1		
100	233265-1	COMPRESSION SPRING 5		1		
101	233265-1	COMPRESSION SPRING 5		1		
102	922216-6	H.S.H.BOLT M5X14 WITH W		1		
103	323976-7	LOCK PIN		1		
104	233197-2	COMPRESSION SPRING 7		1		
105	267010-2	FLAT WASHER 5		1		
106	414933-7	LOCK LEVER		1		
108	266233-9	HEX. SOCKET HEAD BOLT M5X12		1		
109	268050-3	PIN 4		1		
110	310105-1	FEEDING CLAW		1		
111	262054-7	URETHANE RING 3		1		
112	268051-1	PIN 4		1		
113	233266-9	COMPRESSION SPRING 5		1		
A01	192517-8	SAFETY GOGGLE		1	*	
A01-1	195246-2	SAFETY GOGGLE	<	1	*	
A02	181434-7	OIL SUPPLY 30CC		1		
A03	783202-0	HEX. WRENCH 4		1		
A04	824582-6	PLASTIC CARRYING CASE		1		
C10	186347-7	SLIDE LATCH SET		1		

Please state Parts No. when your order.

Print Date 10/25/2023