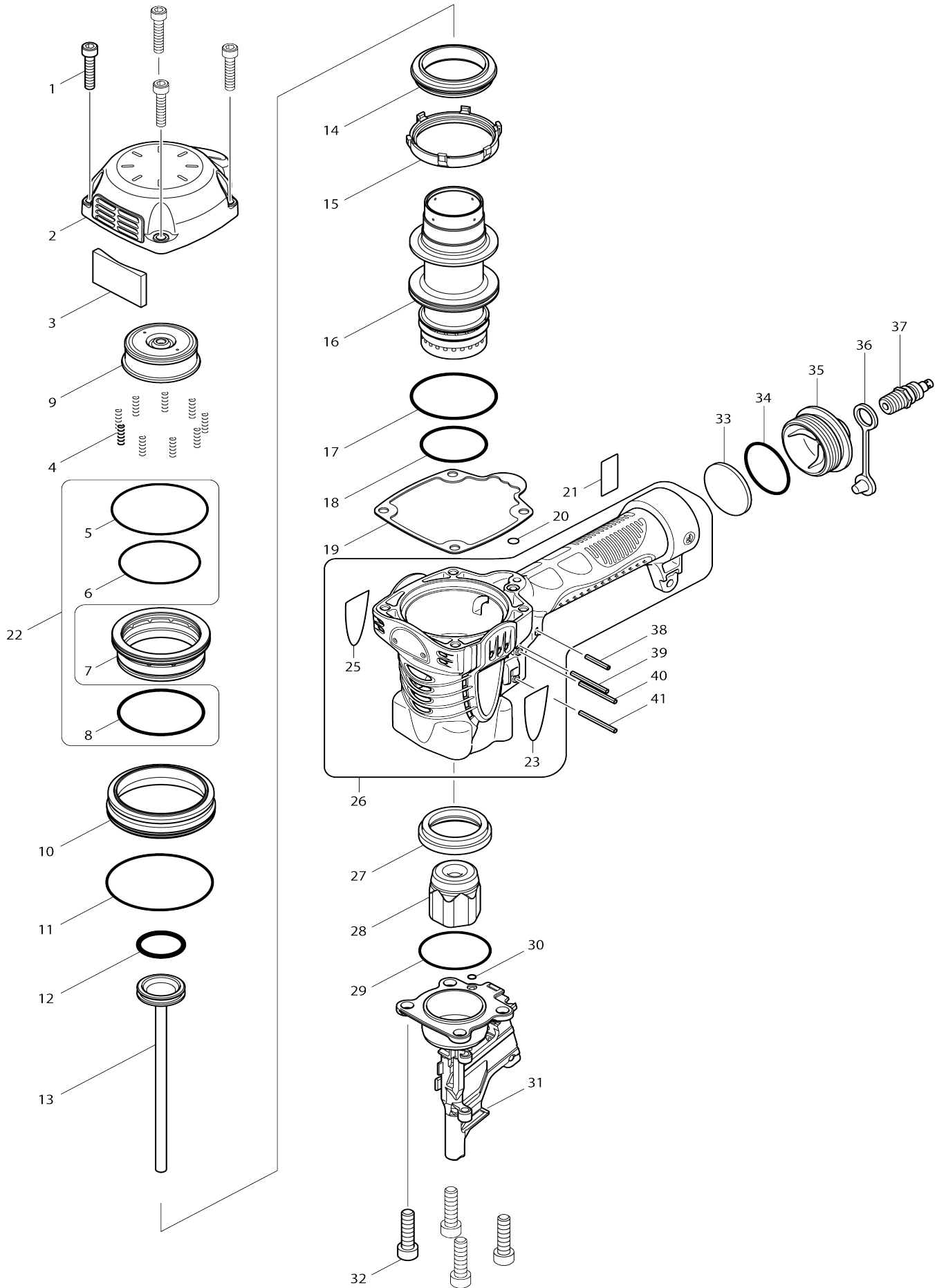
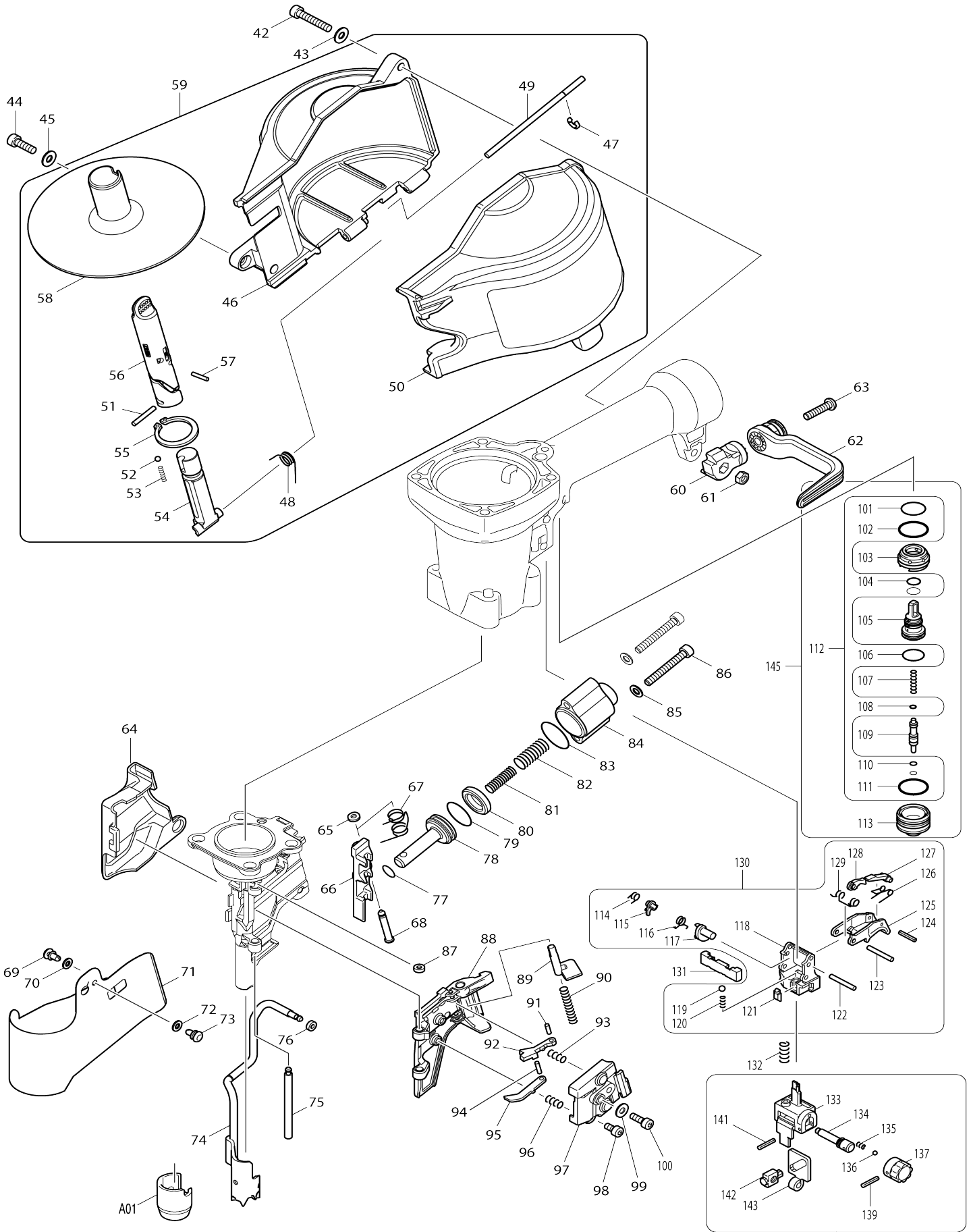


Model No.AN711H PNEUMATIC COIL NAILER



Model No.AN711H PNEUMATIC COIL NAILER



Model No.AN711H PNEUMATIC COIL NAILER

Item No.	Parts No.	Description	Interchangability	Q'ty	New/Old	Note1	Note2
001	265566-9	HEX SOCKET HEAD BOLT M6X30		4			
002	158219-6	TOPCAP COMPLETE		1			
003	413112-4	FILTER		1			
004	233484-9	COMPRESSION SPRING 4		9			
005	213668-5	O RING 60		1			
006	213612-2	O RING 50		1			
007	419842-5	HEAD VALVE		1			
008	213657-0	O RING 53		1			
009	424012-3	REAR CUSHION		1	*		
009-1	424012-3	REAR CUSHION	O	1			
010	331764-8	HEAD VALVE GUIDE		1			
011	213720-9	O RING 67		1	*		
011-1	213A35-0	O-RING 67	<	1			
012	213982-9	O-RING 26		1			
013	168439-4	DRIVER		1			
014	424013-1	VALVE SEAT		1			
015	331759-1	CYLINDER STAY		1			
016	331763-0	CYLINDER		1			
017	213657-0	O RING 53		1			
018	213531-2	O-RING 39		1			
019	162254-8	TOP CAP GASKET		1			
020	213045-1	O-RING 6		1			
021	866122-4	AN711H NAME PLATE		1			
022	194737-0	AIR LEAK REPAIR SET		1			
D10		INC. 5,6,8,112					
023	819324-1	MAKITA ROGO LABEL L		1			
025	819323-3	MAKITA LOGO LABEL R		1			
026	188603-1	HOUSING SET		1			
C10	816919-1	INDICATION LABEL		1			
D10		INC. 23,25					
027	331758-3	CYLINDER GUIDE		1			
028	424011-5	FRONT CUSHION		1			
029	213554-0	O RING 44		1			
030	213023-1	O RING 4		1			
031	310224-3	DRIVER GUIDE		1			
032	265565-1	HEX SOCKET HEAD BOLT M8X30		4			
033	413105-1	INLET FILTER		1			
034	213521-5	O RING 36		1	*		
034-1	213506-1	O RING 36	O	1			
035	318108-9	INLET CAP		1			
036	286280-4	CAP 9		1			
037	243105-5	ONE-TOUCH JOINT H22PM		1			
038	951069-6	SPRING PIN 3-20		1			
039	951078-5	SPRING PIN 3-32		1			
040	951078-5	SPRING PIN 3-32		1			
041	951078-5	SPRING PIN 3-32		1			
042	265570-8	HEX.SOCKET HEAD BOLT M5X28		1			

043	267343-5	FLAT WASHER 5		1		
044	265563-5	HEX SOCKET HEAD BOLT M5X16		1		
045	267343-5	FLAT WASHER 5		1		
046	419853-0	MAGAZINE		1		
047	259042-3	STOP RING E-3		1		
048	233505-7	TORSION SPRING 7		1		
049	256773-5	PIN 4		1		
050	158920-3	MAGAZINE CAP COMPLETE		1		
051	268181-8	PIN 3		1		
052	216001-0	STEEL BALL 3.5		1		
053	233492-0	COMPRESSION SPRING 2		1		
054	419863-7	ADJUST SHAFT		1		
055	961105-0	RETAINING RING S-25		1		
056	419864-5	ADJUST SLEEVE		1		
057	268169-8	PIN 2.5		1	*	
057-1	268272-5	PIN 2.5	O	1		
058	419851-4	CHANGE PLATE		1		
059	135255-9	MAGAZINE ASS'Y		1		
D10		INC. 46-58				
060	162255-6	HOOK BASE		1		
061	931202-6	HEX. NUT M5		1		
062	168499-6	HOOK		1		
063	265176-2	PAN.HD.SCREW M5X22		1		
064	419852-2	CONTACT ARM COVER		1		
065	262130-7	URETHANE RING 4		1		
066	310231-6	FEEDING CLAW		1		
067	233515-4	TORSION SPRING 9		1		
068	268180-0	PIN 4.5		1		
069	255174-4	PUSH RIVET		1		
070	941052-1	FLAT WASHER 4		1		
071	413113-2	COVER		1		
072	941052-1	FLAT WASHER 4		1		
073	255174-4	PUSH RIVET		1		
074	165462-0	CONTACT ARM		1		
075	268179-5	PIN 5		1		
076	262120-0	URETHANE RING 3		1		
077	213054-0	O RING 9		1		
078	324766-1	PISTON		1		
079	213154-6	O RING 14		1		
080	262129-2	RUBBER RING 13		1		
081	234007-6	COMPRESSION SPRING 6		1		
082	234008-4	COMPRESSION SPRING 9		1		
083	213008-7	O RING 22.4		1		
084	419840-9	CYLINDER		1		
085	267345-1	FLAT WASHER 5		2		
086	265562-7	HEX SOCKET HEAD BOLT M5X35		2		
087	262120-0	URETHANE RING 3		1		
088	310317-6	DOOR		1		
089	310233-2	LOCK LEVER		1		
090	233486-5	COMPRESSION SPRING 5		1		
091	268177-9	PIN 2.5		1		
092	310232-4	NAIL HOLDER		1	*	

092-1	310451-2	NAIL HOLDER	O	1			
093	234009-2	COMPRESSION SPRING 4		1			
094	268177-9	PIN 2.5		1			
095	345802-0	CHECK CLAW		1			
096	234010-7	COMPRESSION SPRING 5		1			
097	419861-1	DOOR COVER		1			
098	265911-8	HEX. SOCKET HEAD BOLT M4X8		1	*		
098-1	922107-1	HEX. SOCKET HEAD BOLT M4X8	X	1			
099	941051-3	FLAT WASHER 4		1			
100	266201-2	HEX.SOCKET HEAD BOLT M4X14		1	*		
100-1	922122-5	HEX.SOCKET HEAD BOLT M4X14	X	1			
101	213233-0	O-RING 15		1			
102	213275-4	O RING 18		1			
103	419841-7	TRIGGER VALVE GUIDE		1			
104	213968-3	O-RING 7		2			
105	419958-6	PILOT VALVE		1	*		
105-1	456261-4	PILOT VALVE	<	1			
106	213185-5	O-RING 12.5		1			
107	234014-9	COMPRESSION SPRING 3		1	*		
107-1	234187-8	COMPRESSION SPRING 3	<	1			
108	213034-6	O RING 3		1	*		
108-1	213044-3	O RING 3	S	1			
109	324743-3	TRIGGER VALVE STEM		1	*		
109-1	326189-9	TRIGGER VALVE STEM	S	1			
110	213979-8	O-RING 3		2	*		
110-1	213640-7	O-RING 3	S	2			
111	213275-4	O RING 18		1			
112	194737-0	AIR LEAK REPAIR SET		1			
D10		INC. 22,101,102,104,106,108,					
D20		INC. 110,111					
113	331741-0	TRIGGER VALVE CASE		1			
114	233501-5	TORSION SPRING 5		1			
115	310199-6	STOPPER PLATE		1			
116	233502-3	TORSION SPRING 6		1	*		
116-1	233576-4	TORSION SPRING 6	<	1			
117	310310-0	LEVER		1			
118	419844-1	TRIGGER BASE		1			
119	216024-8	STEEL BALL 4		1	*		
119-1	326144-1	LOCK PIN	<	1			
120	233490-4	COMPRESSION SPRING 2		1			
121	419743-7	SPRING COVER		1			
122	268168-0	PIN 3		1			
123	268168-0	PIN 3		1			
124	951007-8	SPRING PIN 2-12		1			
125	310294-2	TRIGGER		1			
126	231699-2	TORSION SPRING 4		1			
127	310196-2	TRIP LEVER		1			
128	310198-8	LEVER		1			
129	233503-1	TORSION SPRING 4		1			
130	135231-3	TRIGGER ASS'Y		1	*		
D10		INC. 114-129					

130-1	135494-1	TRIGGER ASS'Y	O	1		
D10		INC. 114-129				
131	310293-4	CHANGE ROD		1		
132	233489-9	COMPRESSION SPRING 6		1		
133	310227-7	UPPER YOKE		1		
134	324767-9	ADJUSTER SHAFT		1		
135	233491-2	COMPRESSION SPRING 2		1		
136	216031-1	STEEL BALL 2.3		1		
137	158747-1	ADJUSTER COMPLETE		1		
139	951010-9	SPRING PIN 2-14		1		
141	951010-9	SPRING PIN 2-14		1		
142	310201-5	ADJUSTER PIECE		1		
143	345801-2	SLIDE PLATE		1		
144	135228-2	ADJUSTER ASSY		1		
D10		INC. 133-137,139,141-143				
145	135597-1	TRIGGER VALVE ASS'Y		1	*	
D10		INC. 101-111,113				
145-1	135682-0	TRIGGER VALVE ASS'Y	<	1		
D10		INC. 101-111,113				
A01	424136-5	NOSE ADAPTER		1		
A02	824792-5	PLASTIC CARRYING CASE		1		
C10	188610-4	SLIDE LATCH RL SET		1		
A03	192517-8	SAFETY GOGGLE		1	*	
A03-1	195246-2	SAFETY GOGGLE	<	1	*	
A04	194381-3	OIL SUPPLY SET		1		

Please state Parts No. when your order.

Print Date 10/11/2023