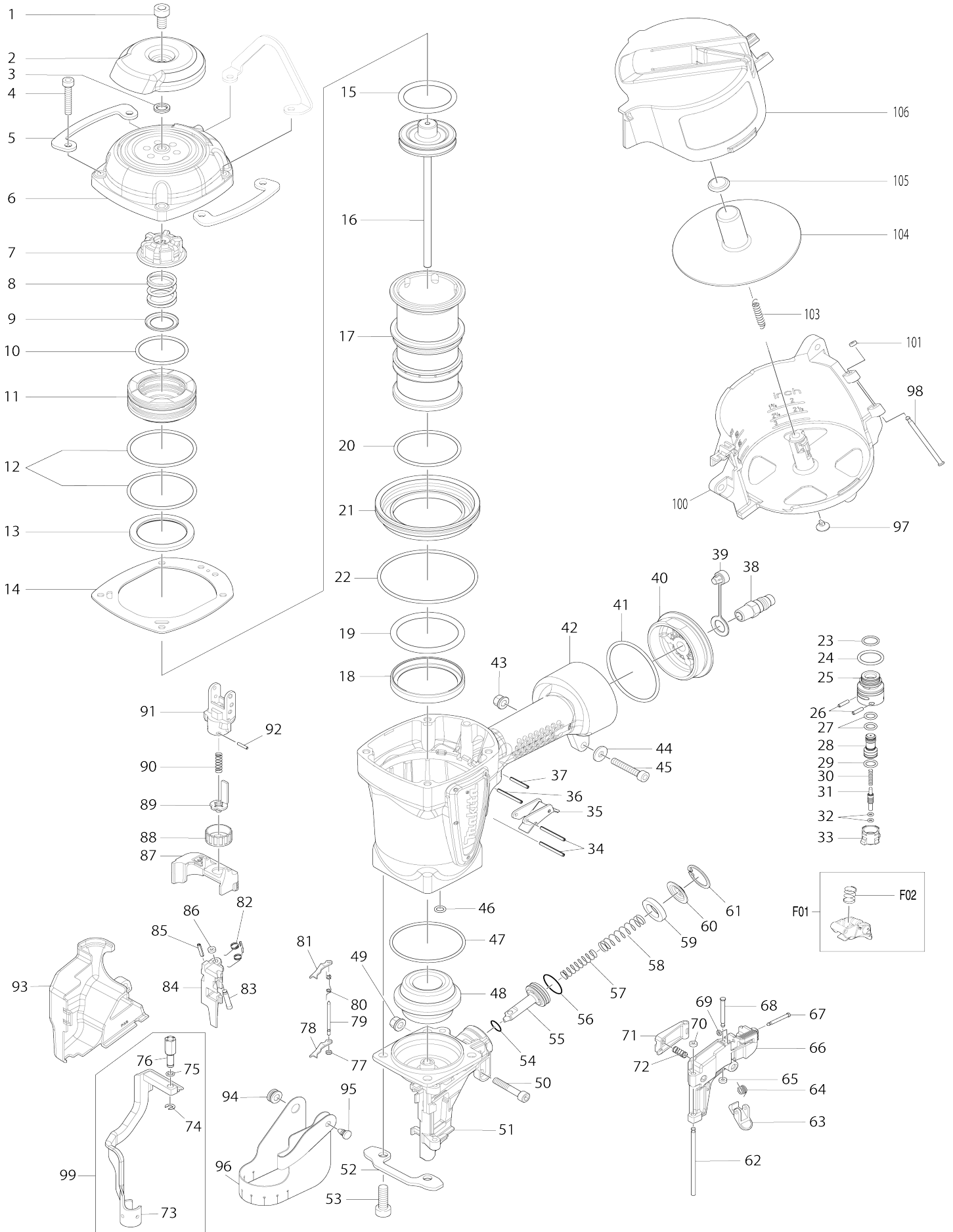


Model No.AN760 PNEUMATIC PALLET COIL NAILER



Model No.AN760 PNEUMATIC PALLET COIL NAILER

Item No.	Parts No.	Description	Interchangability	Q'ty	New/Old	Note1	Note2
001	BA00000263	HEX. SOCKET HEAD BOLT M8X16		1			
002	BA00000264	EXHAUST COVER		1			
003	BA00000005	RUBBER PAD 10		1			
004	BA00000265	HEX. SOCKET HEAD BOLT M6X35		4			
005	BA00000284	REAR HOUSING GUARD		2			
006	BA00000266	TOP CAP COMPLETE		1			
007	BA00000267	REAR CUSHION		1			
008	BA00000268	COMPRESSION SPRING 21		1			
009	BA00000269	CAP WASHER		1			
010	BA00000271	O-RING 42		1			
011	BA00000282	HEAD VALVE		1			
012	BA00000272	O-RING 57		2			
013	BA00000270	CYLINDER SEAL		1			
014	BA00000273	CYLINDER CAP SEAL		1	*		
014-1	BA00000273	CYLINDER CAP SEAL	O	1			
015	BA00000274	O-RING 43		1			
016	BA00000275	DRIVER COMPLETE		1			
017	BA00000276	CYLINDER		1			
018	BA00000283	SHEET RING		1			
019	BA00000277	O-RING 56		1			
020	BA00000278	O-RING 55		1			
021	BA00000279	CYLINDER SEPARATOR		1			
022	BA00000280	O-RING 85		1			
023	BA00000026	O-RING 12		1			
024	BA00000028	O-RING 19		1			
025	BA00000027	TRIGGER VALVE GUIDE		1			
026	BA00000036	SPRING PIN 3-12		2			
027	BA00000030	O-RING 6		2			
028	BA00000029	PILOT VALVE		1			
029	BA00000031	O-RING 9		1			
030	BA00000032	COMPRESSION SPRING 3		1			
031	BA00000033	TRIGGER VALVE STEM		1			
032	BA00000034	O-RING 3		2	*		
032-1	BA00000034	O-RING 3	O	2			
033	BA00000035	TRIGGER VALVE CASE		1			
034	BA00000038	SPRING PIN 3-30		2			
035	BA00000039	TRIGGER ASSY		1			
036	BA00000038	SPRING PIN 3-30		1			
037	BA00000037	SPRING PIN 3-22		1			
038	BA00000045	ONE-TOUCH JOINT 20PM		1			
039	BA00000044	CAP 9		1			
040	BA00000287	INLET CAP		1			
041	BA00000288	O-RING 49		1			
042	BA00000286	HOUSING COMPLETE		1			
043	BA00000250	BOLT CAP		1			
044	BA00000245	FLAT WASHER		1			
045	BA00000265	HEX. SOCKET HEAD BOLT M6X35		1			

046	BA00000344	O-RING 7		1	*		
046-1	BA00000387	O-RING	<	1			
047	BA00000290	O-RING 64		1			
048	BA00000281	FRONT CUSHION		1	*		
048-1	BA00000388	FRONT CUSHION	O	1			
049	BA00000250	BOLT CAP		1			
050	BA00000289	HEX. SOCKET HEAD BOLT M6X38		1			
051	BA00000291	DRIVER GUIDE		1			
052	BA00000312	FRONT HOUSING GUARD		1			
053	BA00000292	HEX. SOCKET HEAD BOLT M8X25		4			
054	BA00000293	O-RING 10		1			
055	BA00000294	PISTON		1			
056	BA00000295	O-RING 21		1			
057	BA00000297	COMPRESSION SPRING 8		1			
058	BA00000296	COMPRESSION SPRING 10		1			
059	BA00000298	RUBBER RING 16		1			
060	BA00000299	CUP WASHER 5		1			
061	BA00000300	RETAINING RING R-26		1			
062	BA00000309	PIN 4		1			
063	BA00000301	LOCK LEVER		1			
064	BA00000302	TORSION SPRING 6		1			
065	BA00000306	URETHANE RING 3		1			
066	BA00000303	DOOR		1			
067	BA00000304	PIN 3		1			
068	BA00000305	PIN 3.5		1			
069	BA00000060	URETHANE RING 2		1			
070	BA00000306	URETHANE RING 3		1			
071	BA00000308	NAIL HODER		1			
072	BA00000307	COMPRESSION SPRING 5		1			
073	BA00000311	CONTACT ARM		1			
074	BA00000083	STOP RING E-4		1			
075	BA00000081	O-RING 5		1			
076	BA00000317	ADJUSTER LOD		1			
077	BA00000060	URETHANE RING 2		1			
078	BA00000333	CHECK CLAW		1			
079	BA00000335	PIN 3		1			
080	BA00000334	TORSION SPRING 4		1			
081	BA00000333	CHECK CLAW		1			
082	BA00000338	TORSION SPRING 6		1			
083	BA00000337	PIN 4.5		1			
084	BA00000336	FEEDING CLAW		1			
085	BA00000339	SPRING PIN 3-16		1			
086	BA00000306	URETHANE RING 3		1			
087	BA00000316	ADJUSTER GUIDE		1			
088	BA00000077	ADJUSTER		1			
089	BA00000315	STOPPER		1	*		
089-1	BA00000481	STOPPER	S	1			
090	BA00000314	COMPRESSION SPRING 5		1	*		
090-1	BA00000479	COMPRESSION SPRING 7	S	1			
091	BA00000313	HOLDER		1			
092	BA00000074	SPRING PIN 2.5-10		1			
093	BA00000340	CONTACT ARM COVER		1			

094	BA00000342	WASHER 6		1		
095	BA00000343	RUBBER PIN		1		
096	BA00000341	COVER		1		
097	BA00000325	HOLDER CAP B		1		
098	BA00000326	PIN 4		1		
099	BA00000310	CONTACT ARM ASSY		1		
D10		INC. 73-76				
100	BA00000320	MAGAZINE COMPLETE		1		
C10	BA00000323	CAUTION LABEL		1		
C20	BA00000324	CAUTION LABEL		1		
101	BA00000306	URETHANE RING 3		1		
103	BA00000327	TENSION SPRING 5 COMPLETE		1		
104	BA00000328	CHANGE PLATE		1		
105	BA00000329	HOLDER CAP A		1		
106	BA00000331	MAGAZINE CAP		1		
107	BA00000480	COMPRESSION SPRING 6	S	1		
108	BA00000487	TRIGGER VALVE ASSEMBLY		1		
D10		INC. 23-33				
A01	BA00000285	HOOK		1		
A02	181434-7	OIL SUPPLY 30CC		1		
A03	192517-8	SAFETY GOGGLE		1		
F07	F-10133	WIRE NAIL WF2550		1		
F08	F-10146	WIRE NAIL WF2557		1		
F09	F-10159	WIRE NAIL WF2565		1		
F10	F-10162	WIRE NAIL WF3175M		1		
F11	F-10069	WIRE NAIL WF2545N		1		
F12	F-10966	WIRE NAIL WF2850N		1		
F13	F-11087	WIRE NAIL WF2950		1		
F14	F-11045	WIRE NAIL WF3365		1		
F15	F-11344	WIRE NAIL WF2950X		1		
F16	F-11357	WIRE NAIL WF3365X		1		
F17	F-10175	WIRE SC NAIL WFS2550C		1		
F18	F-10207	WIRE SC NAIL WFS2950C		1		
F19	F-10210	WIRE SC NAIL WFS2957C		1		
F20	F-10188	WIRE SC NAIL WFS2557C		1		
F21	F-10191	WIRE SC NAIL WFS2565CM		1		
F22	F-10638	WIRE SC NAIL WFS2565C		1		
F23	F-10223	WIRE SC NAIL WFS2965C		1		
F24	F-11399	WIRE SC NAIL WFS2971C		1		
F25	F-10249	WIRE SC NAIL WFS3275CM		1		

Please state Parts No. when your order.

Print Date 10/11/2023