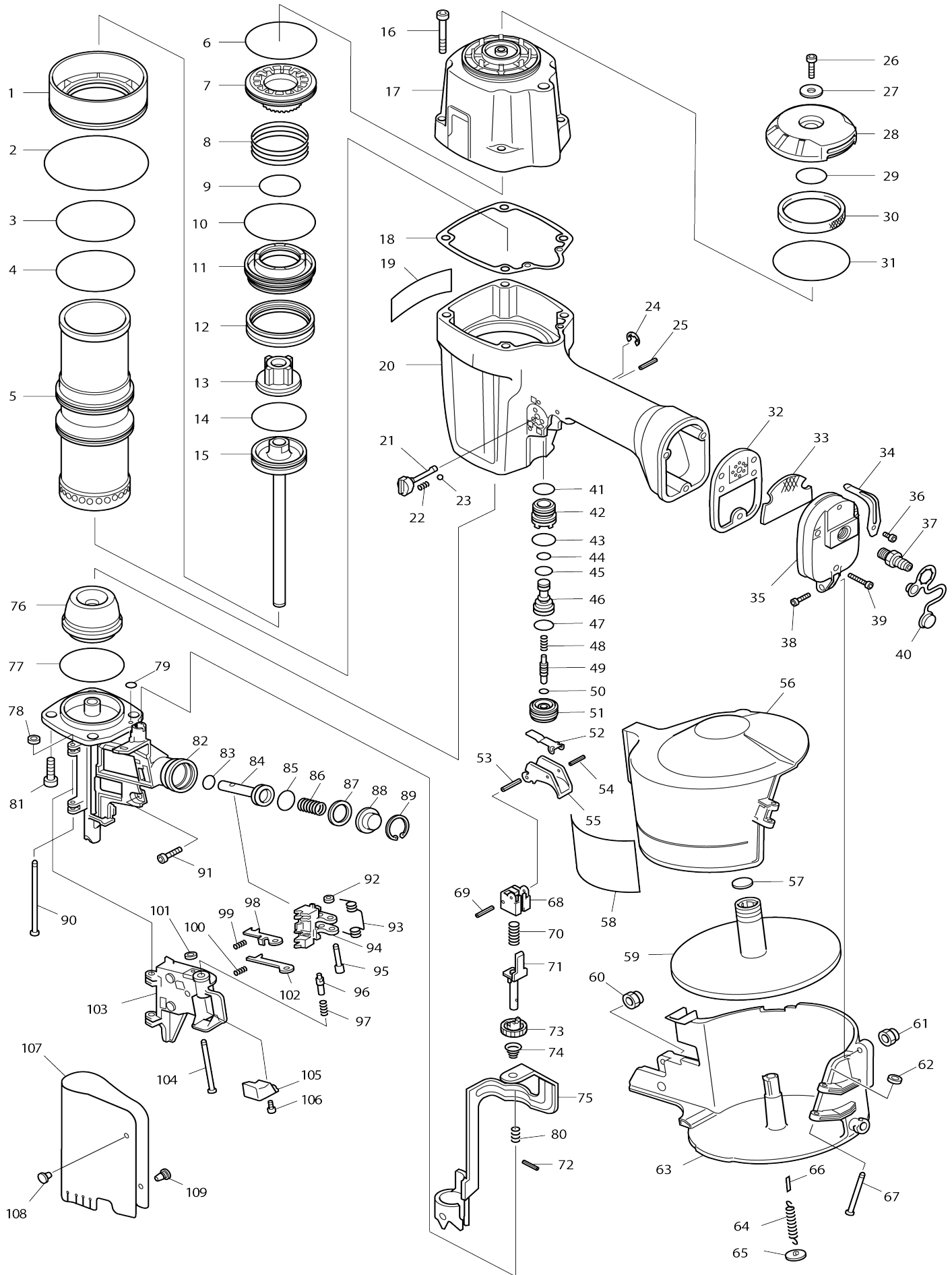


Model No.AN901 COIL NAILER



Model No.AN901 COIL NAILER

Item No.	Parts No.	Description	Interchangability	Q'ty	New/Old	Note1	Note2
001	416808-6	CYLINDER SEPARATER		1			
002	213761-5	O RING 76		1			
003	213657-0	O RING 53		1			
004	213605-9	O RING 50		1			
005	331545-0	CYLINDER		1			
006	213657-0	O RING 53		1			
007	416807-8	SEPARATER		1			
008	233241-5	COMPRESSION SPRING 44		1			
009	213462-5	O RING 33		1			
010	213657-0	O RING 53		1			
011	416803-6	HEAD VALVE		1			
012	421661-7	VALVE SHEET		1			
013	421660-9	CUSHION R		1			
014	213504-5	O RING 40		1			
015-1	152929-7	DRIVER COMPLETE		1	*		
015-2	158606-9	DRIVER COMPLETE	O	1			
016	922356-0	HEX. SOCKET HEAD BOLT M6X35		4			
017	317817-7	TOP CAP		1			
018	162207-7	TOP CAP GASKET		1			
019	852034-7	NAME PLATE AN901		1			
020	153927-4	HOUSING COMPLETE		1			
C10	421527-1	GRIP		1			
C20	421643-9	HOUSING BUMPER R		1			
C30	421644-7	HOUSING BUMPER L		1			
C40	812498-7	INDICATION LABEL		1			
C50	817592-0	CAUTION LABEL		1			
021	162208-5	LOCK PIN 6		1			
022	231236-2	COMPRESSION SPRING 3		1			
023	216008-6	STEEL BALL 4		1			
024	961011-9	STOP RING E-4		1			
025	951075-1	SPRING PIN 3-28		2			
026	265853-6	HEX. SOCKET HEAD BOLT M5X18		1			
027	267171-8	FLAT WASHER 6		1			
028	317128-0	EXHAUST COVER		1			
029	213320-5	O RING 20		1			
030	323853-3	FILTER		1			
031	213654-6	O RING 60		1			
032	162198-2	INLET CAP GASKET		1			
033	415784-1	INLET FILTER		1			
034	344720-9	HOOK		1			
035	317129-8	INLET CAP		1			
036	922212-4	HEX. SOCKET HEAD BOLT M5X12		1			
037-2	286219-7	CAP 12		1			
038	922232-8	HEX. SOCKET HEAD BOLT M5X20		1			
039	922256-4	HEX. SOCKET HEAD BOLT M5X35		3			
041	213176-6	O RING 14		1			
042-1	417695-6	TRIGGER VALVE GUIDE		1			

043	213262-3	O RING 18		1		
044	213039-6	O RING 6		1		
045	213040-1	O RING 8		1		
046-2	317520-0	PILOT VALVE		1		
047	213122-9	O RING 12		1		
048	233239-2	COMPRESSION SPRING 3		1		
049	323852-5	TRIGGER VALVE STEM		1		
050	213044-3	O RING 3		2		
051-1	317521-8	TRIGGER VALVE CASE		1		
052	344265-7	IDLER		1		
053	951075-1	SPRING PIN 3-28		1		
054	258004-8	SPRING PIN 2.5-16		1		
055	415790-6	TRIGGER		1		
056	416811-7	MAGAZINE CAP		1		
057	414934-5	HOLDER CAP		1		
058	818599-9	INDICATION LABEL		1		
059	416810-9	CHANGE PLATE		1		
060	252103-8	HEX. LOCK NUT M5-8		1		
061	252103-8	HEX. LOCK NUT M5-8		1		
062	262054-7	URETHANE RING 3		1		
063	153928-2	MAGAZINE COMPLETE		1		
C10	810022-0	CAUTION LABEL		1		
064	231820-3	TENSION SPRING 5		1		
065	414934-5	HOLDER CAP		1		
066	423232-6	RUBBER PLATE 6-20		1		
067	268026-0	PIN 4		1		
068-1	344895-4	HOLDER		1		
069	951075-1	SPRING PIN 3-28		1		
070-1	233409-3	COMPRESSION SPRING 7		1		
071	310055-0	STOPPER		1		
072	951010-9	SPRING PIN 2-14		1		
073	310056-8	ADJUSTER		1		
074	231978-8	CONICAL COMP. SPRING 9-16		1		
075	344721-7	CONTACT ARM		1		
076	421659-4	CUSHION F		1		
077	213604-1	O RING 50		1		
078	262054-7	URETHANE RING 3		1		
079	213017-6	O RING 6		1		
080	233127-3	COMPRESSION SPRING 7		1		
081	265386-1	HEX. SOCKET HEAD BOLT M8X25		4		
082-1	134960-5	DRIVER GUIDE ASS'Y		1		
C10	310063-1	DRIVER GUIDE		1		
D10		INC. 78,83-90,92-109				
083	213054-0	O RING 9		1		
084	323851-7	PISTON		1	*	
084-1	324876-4	PISTON	O	1		
085	213304-3	O RING 20		1		
086	233240-7	COMPRESSION SPRING 11		1		
087	262080-6	RUBBER RING 16		1		
088	344717-8	CUP WASHER 5		1		
089	962106-1	RETAINING RING R-28		1		
090	268039-1	PIN 5		1		

091	922212-4	HEX. SOCKET HEAD BOLT M5X12		1		
092	262054-7	URETHANE RING 3		1		
093	231642-1	TORSION SPRING 6		1		
094	310074-6	FEEDING CLAW		1		
095	268038-3	PIN 5		1		
096	323850-9	LOCK PIN		1		
097	233201-7	COMPRESSION SPRING 6		1		
098	344719-4	CHECK CLAW R		1		
099	233101-1	COMPRESSION SPRING 4		1		
100	233101-1	COMPRESSION SPRING 4		1		
101	262054-7	URETHANE RING 3		1		
102	344718-6	CHECK CLAW F		1		
103	310072-0	DOOR		1		
104	268037-5	PIN 4		1		
105	310050-0	LOCK LEVER		1		
106	266167-6	HEX. SOCKET HEAD BOLT M4X10		1		
107	416809-4	COVER		1		
108	421418-6	RUBBER PIN 9.5		1		
109	421418-6	RUBBER PIN 9.5		1		
A01	192517-8	SAFETY GOGGLE		1	*	
A01-1	195246-2	SAFETY GOGGLE	<	1	*	
A02	181434-7	OIL SUPPLY 30CC		1		
A03	421658-6	NOSE ADAPTER		1		
A04	783202-0	HEX. WRENCH 4		1		
A05	824545-2	PLASTIC CASE		1		
C10	417075-6	LATCH		2		
A06	805507-9	AN901 MODEL NO. LABEL		1		

Please state Parts No. when your order.

Print Date 10/11/2023