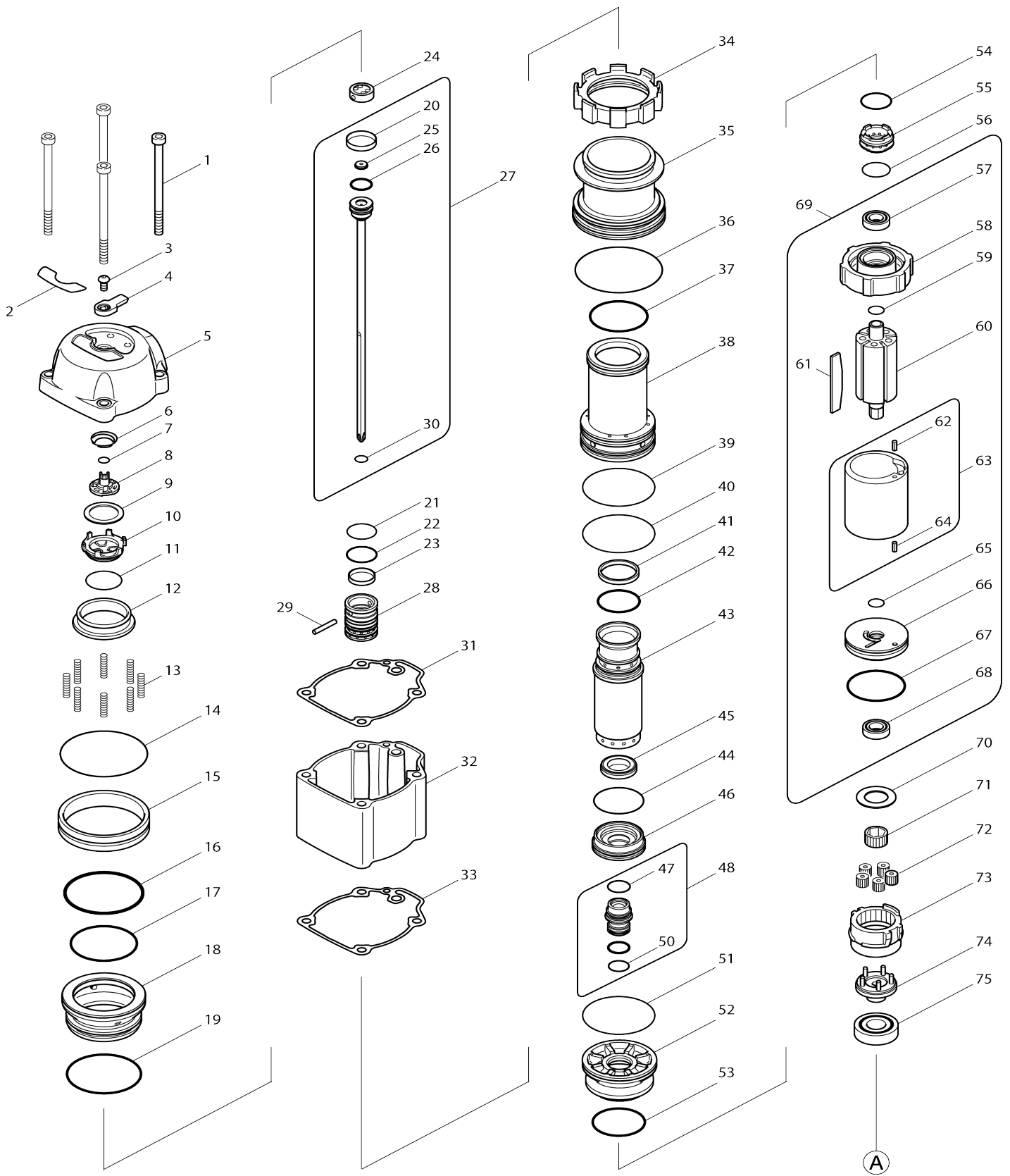
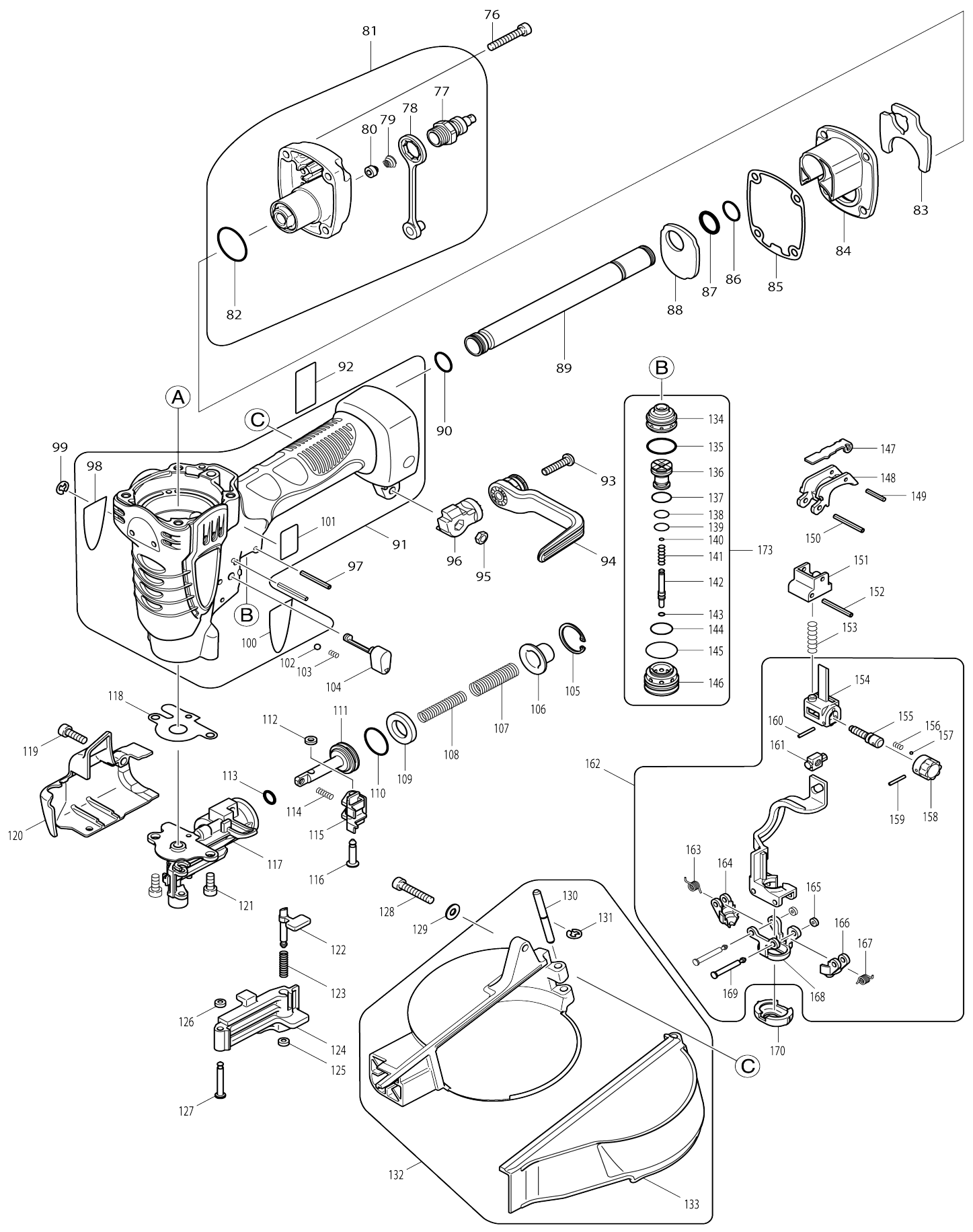


# Model No.AR410HR AIR SCREW DRIVER



# Model No.AR410HR AIR SCREW DRIVER



Model No.AR410HR AIR SCREW DRIVER

Item No.	Parts No.	Description	Interchangability	Q'ty	New/Old	Note1	Note2
001	266431-5	HEX SOCKET HEAD BOLT M5X80		4			
002	816897-5	INDICATION LABEL		1			
003	266430-7	H.S. BUTTON HEAD BOLT M4X8		1			
004	450334-5	KNOB		1			
005	318233-6	TOP CAP		1			
006	233962-9	CONICAL COMPRESSION SPRING 10-15		1			
007	213045-1	O-RING 6		1			
008	162263-7	CHANGE VALVE		1			
009	267365-5	FLAT WASHER 19		1			
010	424149-6	REAR CUSHION		1			
011	213373-4	O RING 22		1			
012	424072-5	SEAL RING		1			
013	234079-1	COMPRESSION SPRING 4		8			
014	213496-8	O-RING 54		1			
015	331851-3	CYLINDER STAY		1			
016	213145-7	O RING 47		1			
017	213143-1	O RING 40		1			
018	450306-0	HEAD VALVE		1			
019	213144-9	O-RING 45		1			
020	262146-2	RUBBER RING 16		1			
021	213265-7	O RING 17		1			
022	213275-4	O RING 18		1			
023	262145-4	RUBBER RING 16		1			
024	324951-6	PISTON CAP		1			
025	424151-9	REAR CUSHION		1			
026	213140-7	O-RING 11		1			
027	194708-7	DRIVER BIT SET		1	*		
C10	424168-2	URETHANE RING		1	*		
D10		INC. 20,25,26,30					
027-1	195873-5	DRIVER BIT SET	<	1			
C10	424502-6	URETHANE RING		1			
D10		INC. 20,25,26,30					
028	325592-1	MAIN PISTON		1			
029	268227-0	PIN 3		1			
030	213026-5	O RING 7		1			
031	162260-3	TOP CAP GASKET		1			
032	318235-2	TOP CAP SPACER		1	*		
032-1	318859-4	TOP CAP SPACER	<	1			
033	162260-3	TOP CAP GASKET		1			
034	424073-3	CYLINDER SEAL		1			
035	450304-4	OUTER CYLINDER		1			
036	213496-8	O-RING 54		1			
037	213497-6	O-RING 31.5		1			
038	450303-6	SEPARATER		1			
039	213495-0	O-RING 45		1			
040	213495-0	O-RING 45		1			
041	262140-4	RUBBER RING 23		1			

042	213987-9	O-RING 25		1		
043	331845-8	CYLINDER		1		
044	213989-5	O-RING 30		1		
045	424171-3	CUSHION RING		1		
046	324949-3	CUSHION GUIDE		1		
047	213185-5	O-RING 12.5		1		
048	135211-9	FRONT CUSHION ASS'Y		1		
D10		INC. 47,50				
050	213118-0	O RING 12		1		
051	213495-0	O-RING 45		1		
052	450302-8	OUTER SEPARATER		1		
053	213990-0	O-RING 31.5		1		
054	213261-5	O RING 17		1		
055	450301-0	INNER SEPARATER		1		
056	213223-3	O RING 16		1		
057	211099-2	BALL BEARING 689ZZ		1		
058	450300-2	UPPER DRUM CAP		1		
059	213062-1	O RING 9		1		
060	324855-2	ROTOR		1		
061	413117-4	BLADE		5		
062	258024-2	SPRING PIN 2.5-5		1		
063	135193-5	DRUM ASSY		1		
D10		INC. 62,64				
064	258024-2	SPRING PIN 2.5-5		1		
065	213062-1	O RING 9		1		
066	450299-1	LOWER DRUM CAP		1		
067	213991-8	O-RING 35		1		
068	211099-2	BALL BEARING 689ZZ		1		
069	135194-3	AIR MOTOR ASS'Y		1		
D10		INC. 57-61,63,65-68				
070	267215-4	FLAT WASHER 15		1		
071	227186-7	SPUR GEAR 21		1		
072	227187-5	SPUR GEAR 10		5		
073	227185-9	INTERNAL SPUR GEAR 44		1		
074	158512-8	CARRIER COMPLETE		1		
075	211138-8	BALL BEARING 6001LLU		1		
076	922252-2	HEX. SOCKET HEAD BOLT M5X30		4		
077	243106-3	PLUG		1		
078	286281-2	CAP 9		1		
079	233961-1	CONICAL COMPRESSION SPRING 5-10		1		
080	424075-9	SHEET PACKING		1		
081	135190-1	INLET CAP ASSY		1		
D10		INC. 77-80,82				
082	213987-9	O-RING 25		1		
083	413119-0	FILTER		1		
084	450311-7	INLET CAP SPACER		1		
085	162261-1	INLET CAP GASKET		1		
086	213162-7	O RING 14		1		
087	213154-6	O RING 14		1		
088	413124-7	INLET FILTER		1		
089	331803-4	PIPE 13		1		

090	213162-7	O RING 14		1		
091	188677-2	HOUSING SET		1		
D10		INC. 98,100,101				
092	866088-8	AR410HR NAME PLATE		1		
093	265176-2	PAN.HD.SCREW M5X22		1		
094	419843-3	HOOK		1		
095	931202-6	HEX. NUT M5		1		
096	162255-6	HOOK BASE		1		
097	951075-1	SPRING PIN 3-28		2		
098	819330-6	MAKITA ROGO LABEL R		1		
099	961011-9	STOP RING E-4		1		
100	819331-4	MAKITA ROGO LABEL L		1		
101	816918-3	INDICATION LABEL		1		
102	216008-6	STEEL BALL 4		1		
103	231236-2	COMPRESSION SPRING 3		1		
104	162189-3	LOCK PIN 6		1		
105	962103-7	RETAINING RING R-24		1		
106	345781-2	CUP WASHER		1		
107	234046-6	COMPRESSION SPRING 10		1		
108	234045-8	COMPRESSION SPRING 9		1		
109	262123-4	RUBBER RING 14		1		
110	213971-4	O-RING 19		1		
111	324854-4	FEED PINTON		1	*	
111-1	326115-8	FEED PISTON	<	1		
112	262130-7	URETHANE RING 4		1		
113	213007-9	O RING 8		1		
114	234042-4	COMPRESSION SPRING 3		1		
115	310246-3	FEEDING CLAW		1		
116	268193-1	PIN 4.5		1		
117	158515-2	DRIVER GUIDE COMPLETE		1		
118	162262-9	DRIVER GUIDE GASKET		1		
119	266086-6	HEX. SOCKET HEAD BOLT M5X16		1		
120	451254-6	CONTACT ARM COVER		1		
121	922212-4	HEX. SOCKET HEAD BOLT M5X12		2		
122	310217-0	LOCK PIN		1		
123	234003-4	COMPRESSION SPRING 5		1		
124	419814-0	DOOR		1		
125	262120-0	URETHANE RING 3		1		
126	262120-0	URETHANE RING 3		1		
127	268174-5	PIN 4		1		
128	922246-7	HEX. SOCKET HEAD BOLT M5X28		1		
129	267343-5	FLAT WASHER 5		1		
130	256774-3	PIN 5		1		
131	961011-9	STOP RING E-4		1		
132	135259-1	MAGAZINE ASS'Y		1		
D10		INC. 130,131,133				
133	158909-1	MAGAZINE CAP COMPLETE		1		
C10	808205-4	AR410HR MAGAZINE CAP LABEL		1		
134	450788-6	TRIGGER VALVE GUIDE		1		
135	213275-4	O RING 18		1		
136	450310-9	PILOT VALVE		1		

137	213134-2	O-RING 11		1		
138	213984-5	O-RING 8		1		
139	213985-3	O-RING 8		1		
140	213986-1	O-RING 2		1		
141	234081-4	COMPRESSION SPRING 3		1		
142	324853-6	TRIGGER VALVE STEM		1	*	
142-1	325875-9	TRIGGER VALVE STEM	S	1		
143	213034-6	O RING 3		1		
144	213187-1	O-RING 13.5		1		
145	213310-8	O RING 20		1		
146	450308-6	TRIGGER VALVE CASE		1		
147	344265-7	IDLER		1		
148	450344-2	TRIGGER		1		
149	258004-8	SPRING PIN 2.5-16		1		
150	951075-1	SPRING PIN 3-28		1		
151	450314-1	HOLDER		1		
152	951075-1	SPRING PIN 3-28		1		
153	234044-0	COMPRESSION SPRING 6		1		
154	310247-1	STOPPER		1		
155	324745-9	ADJUSTER SHAFT		1		
156	233491-2	COMPRESSION SPRING 2		1		
157	216031-1	STEEL BALL 2.3		1		
158	158747-1	ADJUSTER COMPLETE		1		
159	951010-9	SPRING PIN 2-14		1		
160	951010-9	SPRING PIN 2-14		1		
161	310201-5	ADJUSTER PIECE		1		
162	135260-6	CONTACT ARM ASS'Y		1	*	
D10		INC. 154-161,163-169				
162-1	135301-8	CONTACT ARM ASSY	S	1		
C10	310419-8	CONTACT ARM		1		
D10		INC. 154-161,163-169				
163	233511-2	TORSION SPRING 4		1		
164	310222-7	CHUCK		1		
165	261118-4	URETHANE WASHER		2		
166	310221-9	CHUCK		1		
167	233511-2	TORSION SPRING 4		1		
168	310220-1	CONTACT TOP		1		
169	268173-7	PIN 3.5		2		
170	424005-0	NOSE ADAPTER		1		
171	194738-8	AIR LEAK REPAIR SET		1		
D10		INC. 16,17,19,37,135,137-140,				
D20		INC. 143-145				
173	135212-7	TRIGGER VALVE ASS'Y		1		
D10		INC. 134-146				
A01	192517-8	SAFETY GOGGLE		1	*	
A01-1	195246-2	SAFETY GOGGLE	<	1	*	
A02	194381-3	OIL SUPPLY SET		1		
A03	194708-7	DRIVER BIT SET		1	*	
A03-1	195873-5	DRIVER BIT SET	<	1		
A04	783202-0	HEX. WRENCH 4		1		
A05	824864-6	PLASTIC CARRYING CASE		1		
C10	163455-1	LATCH		2		

C20	419360-3	HANDLE		1			
-----	----------	--------	--	---	--	--	--

Please state Parts No. when your order.

Print Date 10/25/2023