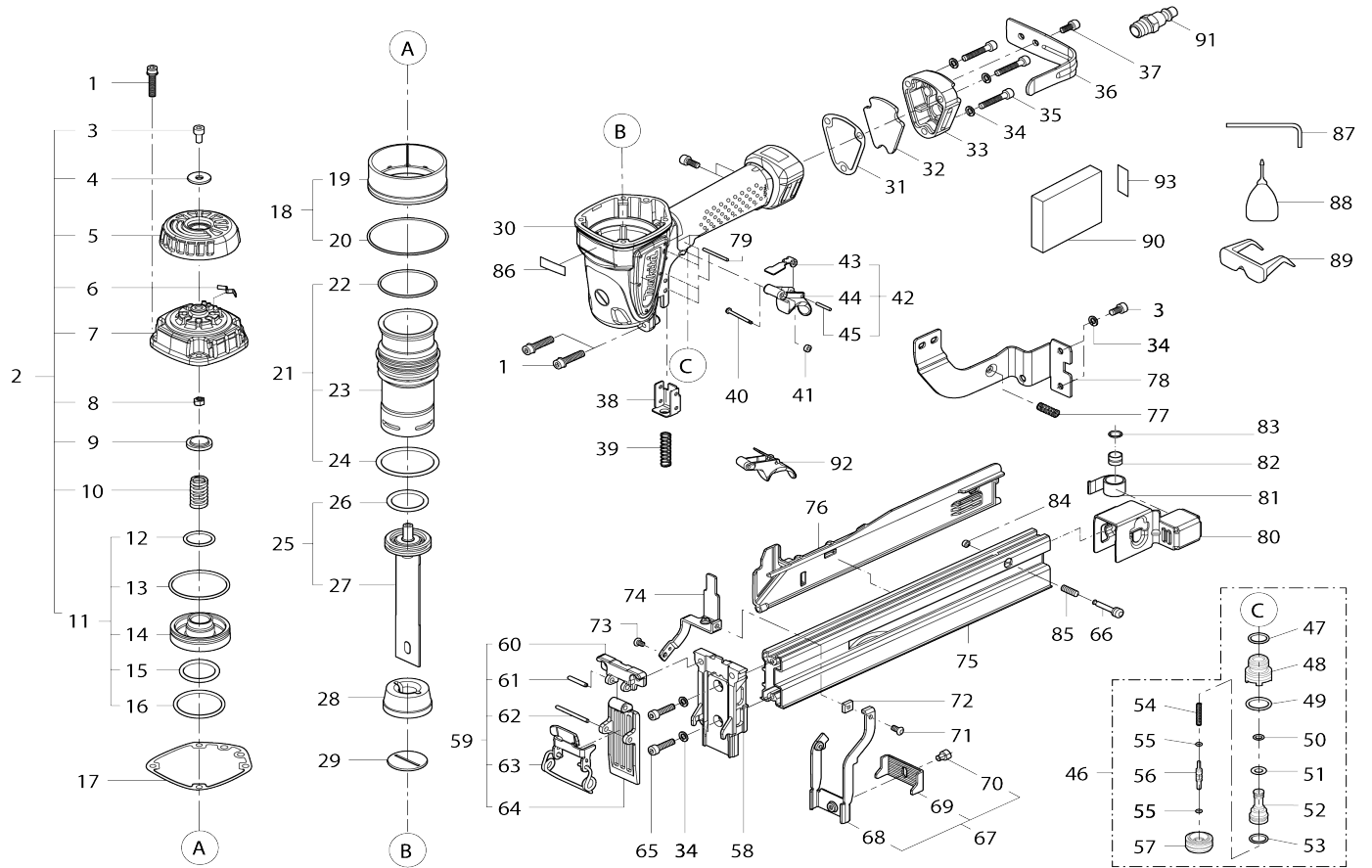


Model No.AT2550A WIDE CROWN STAPLER



Model No.AT2550A WIDE CROWN STAPLER

Item No.	Parts No.	Description	Interchangability	Q'ty	New/Old	Note1	Note2
001	B0000-0301	SCREW SET M5X25		6			
002	B0300-3471	TOP CAP SET		1			
003	A0000-1131	O		3			
004	A0005-1271	FLAT WASHER		1			
005	A0304-0611	EXHAUST COVER		1			
006	A0105-0081	SPRING PLATE		1			
007	A0301-1231	CAP		1			
008	A0004-0001	HEX. NUT M5		1			
009	A0311-0631	SEAL AIR		1	*		
009-1	424010-7	REAR CUSHION	O	1			
010	A0100-2391	COMPRESSION SPRING		1			
011	B0300-3441	DISC VALVE SET		1			
012	A0200-2121	O-RING 20.8X2.4		1			
013	A0200-1701	O-RING 47.3X2.62		1			
014	A0308-0591	DISC VALVE		1			
015	A0200-4131	O-RING 30X4		1			
016	A0200-4121	O-RING 41.7X3.5		1			
017	A0205-0581	TOP CAP GASKET		1			
018	B0300-3481	SPACER SET		1			
019	A0800-0871	SPACER		1			
020	A0200-3941	O-RING 60.8*2		1			
021	B0300-3491	CYLINDER SET		1			
022	A0200-2231	O-RING 45X2		1			
023	A0303-0841	CYLINDER		1			
024	A0200-3821	O-RING 44.7X3.5		1			
025	B0600-1841	PISTON UNIT		1			
026	A0200-3981	O-RING 30.7*3.5		1			
027	B0600-4251	DRIVER COMPLETE		1			
028	A0309-0701	BUMPER		1			
029	A0310-0681	NOZZLE		1			
030	K0400-0651	HOUSING COMPLETE		1			
031	A0205-0551	INLET CAP GASKET		1			
032	A0203-0151	INLET FILTER		1			
033	A0306-1111	INLET CAP		1			
034	A0005-0031	WASHER #5-1.1T		7			
035	A0000-0161	SCREW 5X30		3			
036	A0316-0311	HOOK		1			
037	A0000-0061	O		1			
038	A0712-1421	HOLDER		1			
039	A0100-2371	SPRING		1			
040	A0006-0732	TRIGGER PIN		1			
041	A0005-0311	PIN RETAINER 5.5X2		1			
042	K0500-1371	TRIGGER ASS'Y(DUAL-ACTION)		1			
043	A0501-0551	TRIGGER		1			
044	A0500-0831	TRIGGER		1			
045	A0011-0251	SPRING PIN 2.5X16		1			
046	K0500-1351	TRIGGER VALVE SET		1			

047	A0200-2111	O-RING 13.8X1.9	1		
048	A0503-0391	TRIGGER VALVE GUIDE	1		
049	A0200-2071	O-RING 17.8X1.9	1		
050	A0200-4061	O-RING 5.5X1.8	1		
051	A0200-2471	O-RING 7.59X2.62	1		
052	A0504-0641	PILOT VALVE	1		
053	A0200-4071	O-RING 12.1X1.7	1		
054	A0100-1301	SPRING	1		
055	A0200-3891	0	2		
056	A0504-0621	TRIGGER VALVE STEM	1		
057	A0503-0671	TRIGGER VALVE CASE	1		
058	A0713-0811	DRIVER GUIDE	1		
059	K0700-5131	DRIVER GUIDE COVER SET	1		
060	A0719-0981	STOPPER	1		
061	A0006-0671	PIN 4X20	1		
062	A0011-0641	SPRING PIN 4*35	1		
063	B0800-0351	CLICK LEVER SET	1		
064	A0713-0821	DOOR	1		
065	A0000-0091	SCREW 5X20	2		
066	A0007-0631	RETAINER	1		
067	K0700-5121	CONTACT ARM SET	1		
068	A0711-2411	CONTACT ARM	1		
069	A0714-0501	SAFETY ELEMENT	1		
070	A0000-0331	HEX.BOLT 5X6	1		
071	A0000-0591	BHSC SCREW M4*8	1		
072	A0004-0381	SQUARE NUTS	1		
073	A0000-0581	SCREW M4*6	1		
074	A0711-2421	ARM	1		
075	K0700-5611	MAGAZINE COMPLETE	1		
076	A0700-2011	MAGAZINE COVER	1		
077	A0100-0241	COMPRESSION SPRING	1		
078	A0706-1531	SUPPORT	1		
079	A0011-0151	SPRING PIN 3X28	4		
080	A0707-1931	PUSHER	1		
081	A0102-0151	SPRING	1		
082	A0703-0271	SPRING GUIDE	1		
083	A0200-0811	O-RING 11.8*1.5	1		
084	A0005-0291	PIN RETAINER 6X2.9	1		
085	A0100-2461	SPRING	1		
086	A0919-5591	NAME PLATE	1		
087	A0913-0011	HEX. WRENCH	1		
088	A0907-0001	OIL POT	1		
089	A0908-0171	SAFETY GOGGLE	1		
090	A0902-1271	COLOR BOX	1		
091	A0307-0581	AIR PLUG	1		
092	K0500-1441	SEQUENTIAL TRIGGER SET	1		
093	A0919-4761	SEALING LABEL	1		

Please state Parts No. when your order.

Print Date 10/11/2023