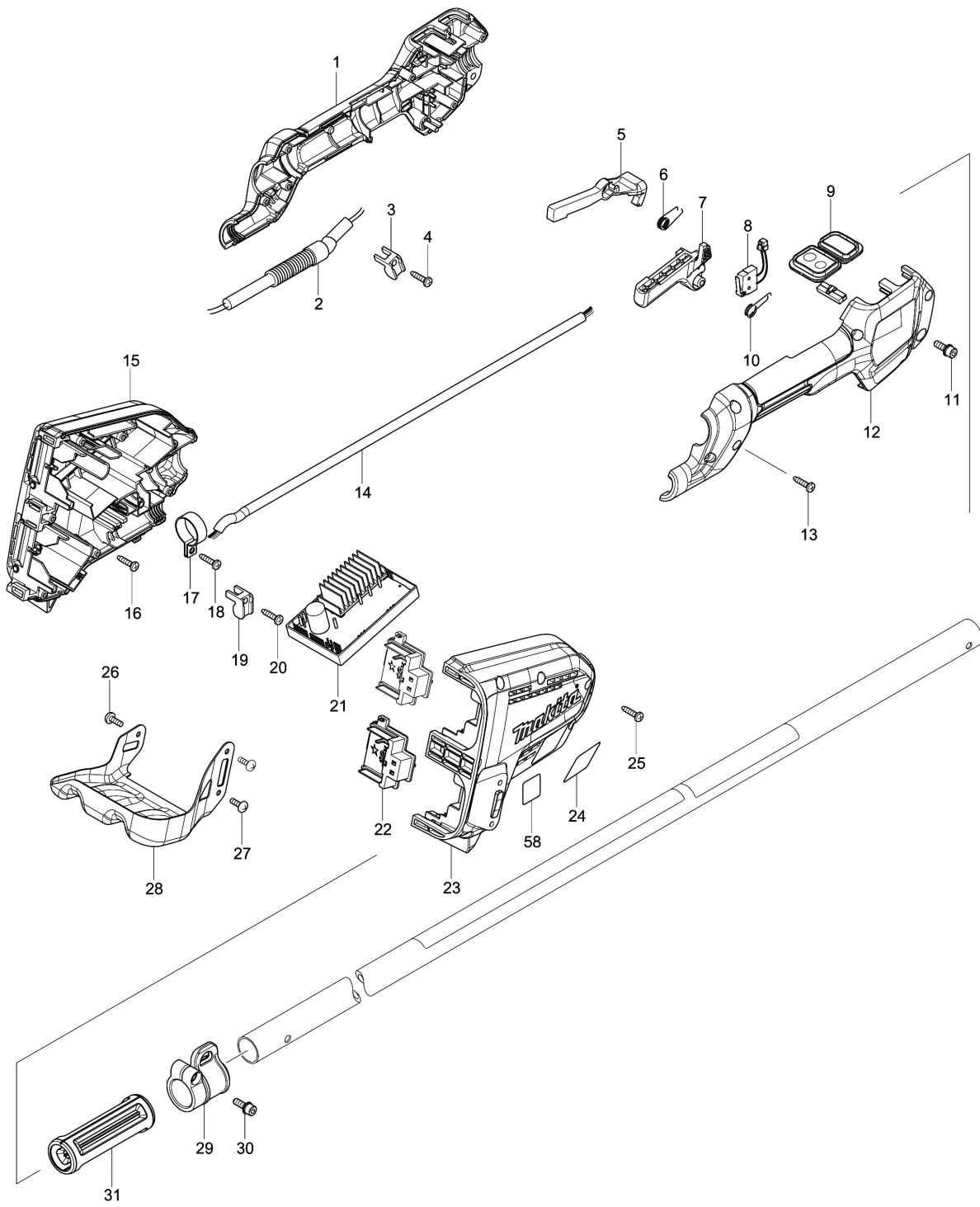
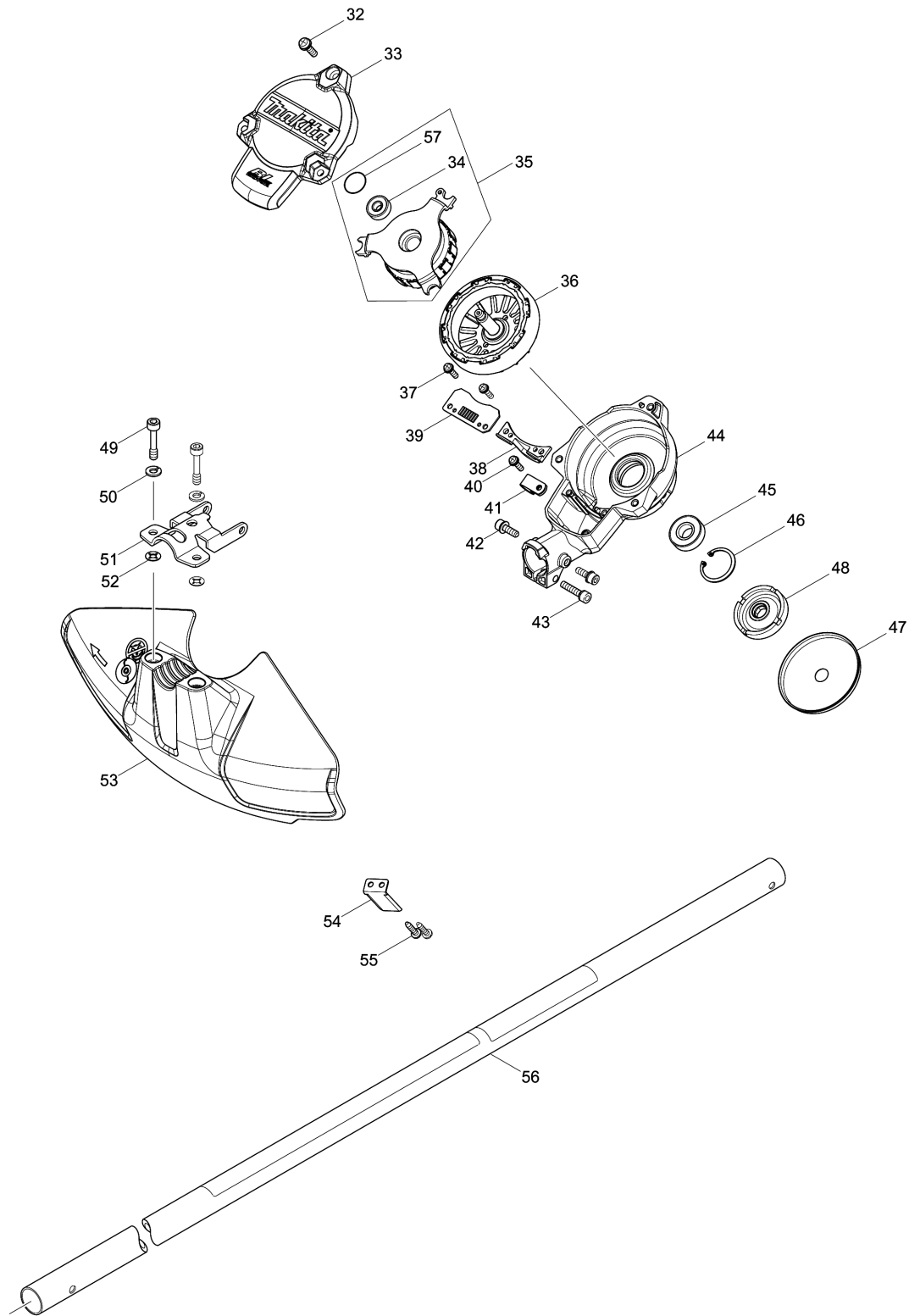


Model No.AT3735C CORDLESS GRASS TRIMMER



Model No.AT3735C CORDLESS GRASS TRIMMER



Model No.AT3735C CORDLESS GRASS TRIMMER

Item	Parts No.	Description	I/C	Qty	New/Old	Opt. 1	Opt. 2	Note
001	183A19-1	GRIP SET		1				
	D10	INC. 12						
002	699068-7	POWER SUPPLY CORD UNIT		1				
003	687261-5	STRAIN RELIEF		1				
004	266326-2	TAPPING SCREW 4X18		1				
005	455629-1	LOCK OFF LEVER		1	*			
005-1	413Y35-6	LOCK OFF LEVER	O	1				
006	233621-5	TORSION SPRING 9		1				
007	455625-9	SWITCH LEVER		1				
008	632E26-0	SWITCH UNIT		1				
009	143040-6	SUB CONTROLLER COMPLETE		1				
010	233612-6	TORSION SPRING 10		1				
011	922228-9	H.S.H.BOLT M5X18 WITH WR		1				
012	183A19-1	GRIP SET		1				
	D10	INC. 1						
013	266326-2	TAPPING SCREW 4X18		6				
014	699067-9	POWER SUPPLY CORD UNIT		1				
015	183A65-4	HOUSING SET		1	*			
	C10	263005-3 RUBBER PIN 6		4	*			
	D10	INC. 23			*			
015-1	183A65-4	HOUSING SET	O	1				
	C10	263005-3 RUBBER PIN 6		4				
	D10	INC. 23						
016	266326-2	TAPPING SCREW 4X18		3				
017	346248-3	CLAMP 24		1				
018	266326-2	TAPPING SCREW 4X18		1				
019	687261-5	STRAIN RELIEF		1				
020	266326-2	TAPPING SCREW 4X18		1				
021	143061-8	CONTROLLER COMPLETE		1	*			
021-1	144367-7	CONTROLLER COMPLETE	S	1				
022	644808-8	TERMINAL		2				
023	183A65-4	HOUSING SET		1	*			
	C10	263005-3 RUBBER PIN 6		4	*			
	D10	INC. 15			*			
023-1	183A65-4	HOUSING SET	O	1				
	C10	263005-3 RUBBER PIN 6		4				
	D10	INC. 15						
024	850N98-9	AT-3735 C NAME PLATE		1				
025	266326-2	TAPPING SCREW 4X18		7				
026	251314-2	+ SCREW M4X12		1				
027	251314-2	+ SCREW M4X12		2				
028	346858-6	BATTERY GUARD		1				
029	168478-4	HANGER		1				
030	922228-9	H.S.H.BOLT M5X18 WITH WR		1				
031	451601-1	SPACER 24		1				

Please order the parts with part number.

Print Date 23/11/2023

Model No.AT3735C CORDLESS GRASS TRIMMER

Item	Parts No.	Description	I/C	Qty	New/Old	Opt. 1	Opt. 2	Note
032	911233-1	PAN HEAD SCREW M5X20		3				
033	455627-5	TOP COVER		1				
034	210062-2	BALL BEARING 607ZZ		1	*			
034-1	210269-0	BALL BEARING 607ZZ	O	1				
035	529146-8	STATOR ASS'Y		1	*			
D10		INC. 34,57			*			
035-1	529146-8	STATOR ASS'Y	O	1	*			
D10		INC. 34,57			*			
035-2	520136-4	STATOR ASS'Y	<	1	*			
D10		INC. 34,57			*			
035-3	520135-6	STATOR ASS'Y	O	1	*			
D10		INC. 34,57			*			
035-4	592E25-3	STATOR ASS'Y	O	1				
D10		INC. 34,57						
036	619360-5	ROTOR		1	*			
036-1	619460-1	ROTOR	<	1				
037	911128-8	P.H.SCREW M4X16 WITH WR		2				
038	455628-3	INNER COVER		1				
039	620401-2	CONTROLLER B		1	*			
039-1	620562-8	CONTROLLER B	S	1	*			
039-2	620E48-2	CONTROLLER B	O	1				
040	911128-8	P.H.SCREW M4X16 WITH WR		1				
041	687042-7	STRAIN RELIEF		1				
042	922223-9	H.S.H.BOLT M5X16 WITH WR		2				
043	922241-7	HEX. SOCKET HEAD BOLT M5X25		1				
044	143039-1	MOTOR HOUSING COMPLETE		1				
045	211131-2	BALL BEARING 6001DDW		1				
046	962106-1	RETAINING RING R-28		1				
047	346857-8	GUARD		1				
048	319245-2	RECEIVE WASHER		1				
049	266579-3	HEX SOCKET HEAD BOLT M6X30		2				
050	942151-2	SPRING WASHER 6		2	*			
050-1	253428-3	SPRING WASHER 6	O	2				
051	346073-2	PROTECTOR CLAMP		1				
052	413143-3	WASHER		2				
053	455622-5	PROTECTOR		1				
054	346855-2	CUTTER		1				
055	266326-2	TAPPING SCREW 4X18		2				
056	143042-2	PIPE COMPLETE D		1				
C10	805V85-1	CAUTION LABEL		1				
C20	893388-3	DOLMAR LOGO LABEL		1				
057	213325-5	O RING 19		1				
058	802H58-1	SOUND 90DB LABEL		1	*			
058-1C	807E85-5	SOUND 92DB LABEL	<	1	*			

Please order the parts with part number.

Print Date 23/11/2023

Model No.AT3735C CORDLESS GRASS TRIMMER

Item	Parts No.	Description	I/C	Qty	New/Old	Opt. 1	Opt. 2	Note
058-1D	807E85-5	SOUND 92DB LABEL	<	1				
058-1F	807E85-5	SOUND 92DB LABEL	<	1	*			
058-2C	802H58-1	SOUND 90DB LABEL	<	1				
058-2F	802H58-1	SOUND 90DB LABEL	<	1				
059	326586-9	RING 14	S	1	*			
A01	123291-7	TRIMMER HEAD ASSEMBLY 90-M8R		1				
A02	195246-2	SAFETY GOGGLE		1	*			
A03	195626-2	LOOP HANDLE SET		1				
C10	346467-1	CLAMP 24		1	*			
C11	347094-7	CLAMP 24	O	1				
C20	346468-9	CLAMP 33		1				
C30	452843-0	CLAMP COVER B		1				
C40	922243-3	HEX. SOCKET HEAD BOLT M5X25		2				
A04	783202-0	HEX. WRENCH 4		1				
A05	783217-7	HEX. WRENCH 5		1				
A06	831315-2	ACCESSORY BAG		1				
A07C	126641-5	PLASTIC BLADE ASSEMBLY 255-M8R		1				
A07D	450128-8	BATTERY COVER		2	*			
A07F	450128-8	BATTERY COVER		2	*			
A08D	***LG184	LG-184 FAST CHARGER SET		1	*			
A08F	***LG184	LG-184 FAST CHARGER SET		1				
A08-1D	***DC18RC	DC18RC FAST CHARGER	O	1				
A09D	194490-8	BATTERY AP-183 SET		2	*			
A09F	194490-8	BATTERY AP-183 SET		2	*			
A09-1D	196015-4	BATTERY BL1830 SET	O	2	*			
A09-1F	196015-4	BATTERY BL1830 SET	O	2	*			
A09-2D	197600-6	BATTERY BL1830B SET	<	2	*			
A09-2F	197600-6	BATTERY BL1830B SET	<	2	*			
A09-3D	197600-6	BATTERY BL1830B SET	O	2				
A09-3F	197600-6	BATTERY BL1830B SET	O	2				
A10F	126641-5	PLASTIC BLADE ASSEMBLY 255-M8R		1				
A12	125516-5	BAND ASSEMBLY		1				

Please order the parts with part number.

Print Date 23/11/2023