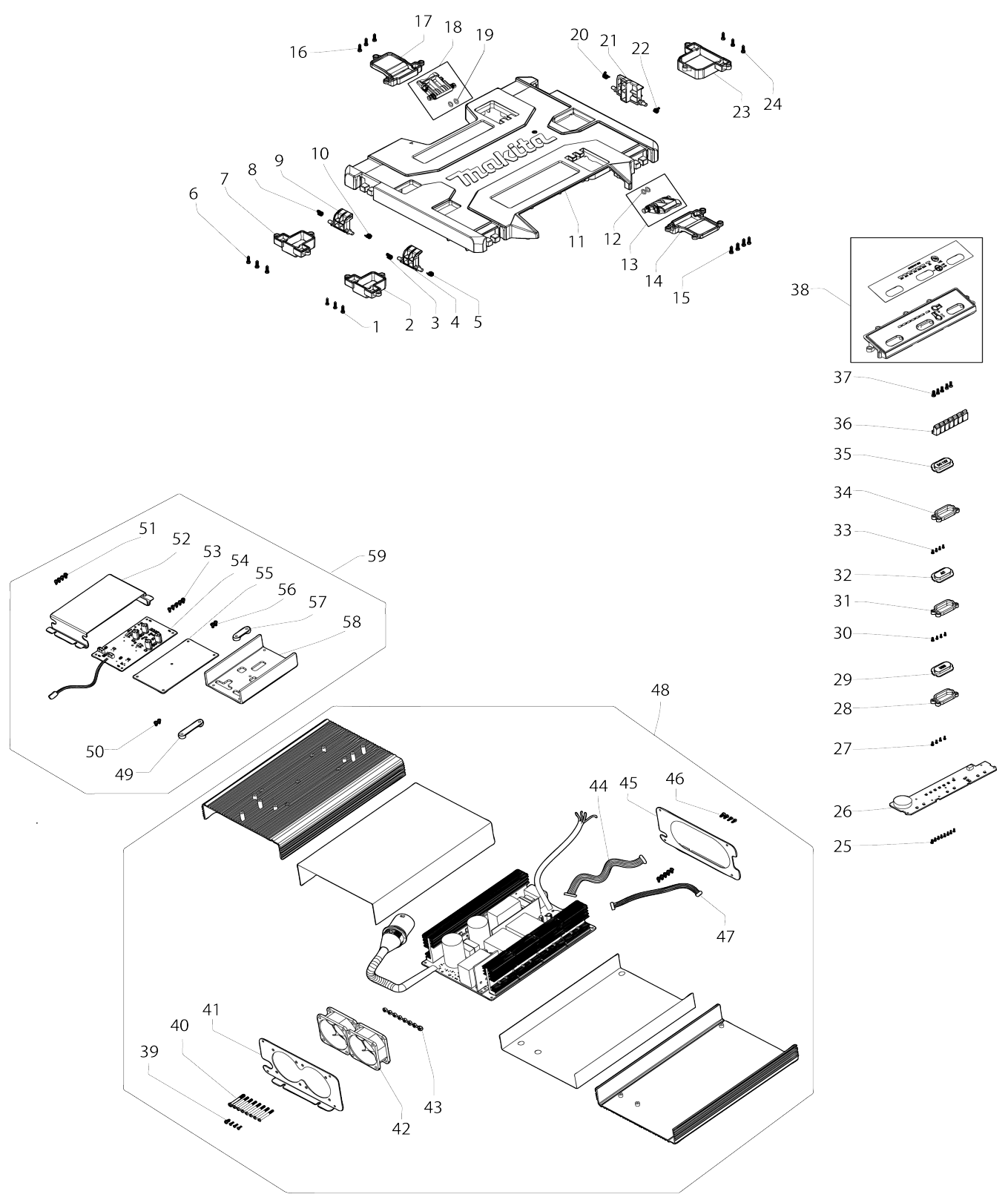
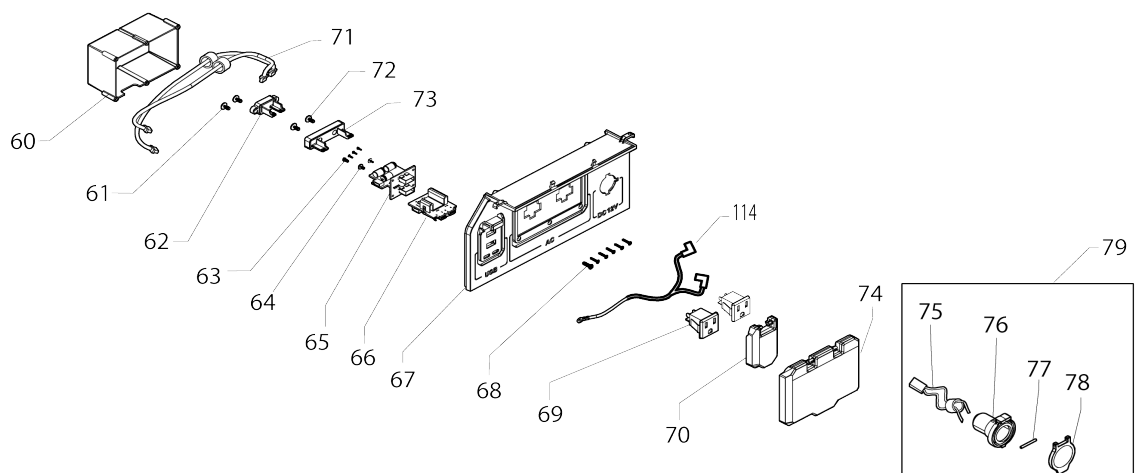
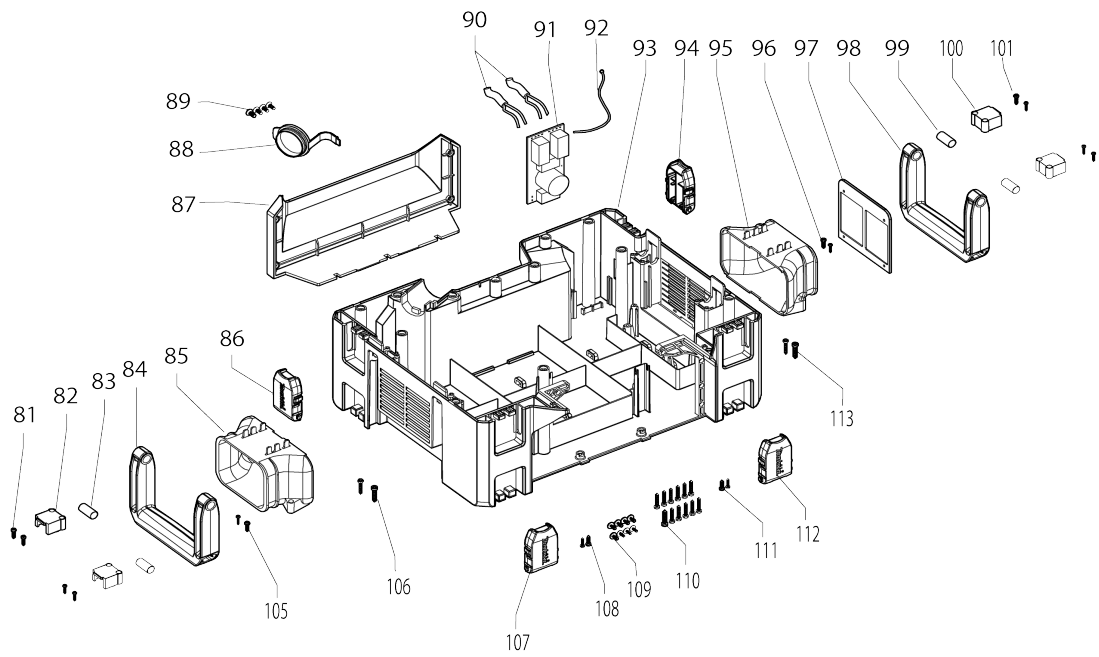


Model No.BAC01 POWER CONVERTER



Model No.BAC01 POWER CONVERTER



Model No.BAC01 POWER CONVERTER

Item No.	Parts No.	Description	Interchangability	Q'ty	New/Old	Note1	Note2
001	QY00000011	TAPPING SCREW 3X12		3			
002	QY00000158	HOOK B COVER		1			
003	QY00000159	TORSION SPRING A		1			
004	QY00000160	HOOK B		1			
005	QY00000161	TORSION SPRING B		1			
006	QY00000011	TAPPING SCREW 3X12		3			
007	QY00000158	HOOK B COVER		1			
008	QY00000159	TORSION SPRING A		1			
009	QY00000162	HOOK C		1			
010	QY00000161	TORSION SPRING B		1			
011	QY00000163	TOP HOUSING		1			
012	QY00000164	O-RING		2			
013	QY00000165	LATCH B		1			
D10		INC. 12					
014	QY00000166	LATCH B COVER		1			
015	QY00000011	TAPPING SCREW 3X12		4			
016	QY00000011	TAPPING SCREW 3X12		3			
017	QY00000167	LATCH A COVER		1			
018	QY00000165	LATCH B		1			
D10		INC. 19					
019	QY00000164	O-RING		2			
020	QY00000159	TORSION SPRING A		1			
021	QY00000168	HOOK A		1			
022	QY00000161	TORSION SPRING B		1			
023	QY00000169	HOOK A COVER		1			
024	QY00000011	TAPPING SCREW 3X12		3			
025	QY00000170	TAPPING SCREW 2.0X6		8			
026	QY00000171	CONTROL PCB		1			
027	QY00000170	TAPPING SCREW 2.0X6		4			
028	QY00000172	KEY FRAME		1			
029	QY00000173	USB BUTTON		1			
030	QY00000170	TAPPING SCREW 2.0X6		4			
031	QY00000172	KEY FRAME		1			
032	QY00000174	AC BUTTON		1			
033	QY00000170	TAPPING SCREW 2.0X6		4			
034	QY00000172	KEY FRAME		1			
035	QY00000175	DC BUTTON		1			
036	QY00000176	LENS		1			
037	QY00000177	TAPPING SCREW 3.0X8		5			
038	QY00000178	PANEL ASSY		1			
039	QY00000011	TAPPING SCREW 3X12		4			
040	QY00000179	SCREW 4.0X29.5		8			
041	QY00000180	FAN PLATE		1			
042	QY00000181	FAN		2			
043	QY00000182	HEX. NUT M4		8			
044	QY00000183	LEAD UNIT A		1			
045	QY00000184	PLATE B		1			

046	QY00000011	TAPPING SCREW 3X12	4		
047	QY00000185	LEAD UNIT B	1		
048	QY00000255	MAIN PCB ASSY	1		
D10		INC. 39-47			
049	QY00000187	LEAD HOLDER A	1		
050	QY00000188	SCREW M3X6	2		
051	QY00000188	SCREW M3X6	4		
052	QY00000189	SHIELD	1		
053	QY00000190	SCREW M3X8	5		
054	QY00000191	DC DC CONVERTER PCB	1		
055	QY00000192	HEAT DISSIPATION SHEET	1		
056	QY00000188	SCREW M3X6	2		
057	QY00000193	LEAD HOLDER B	1		
058	QY00000194	HEAT SINK DC	1		
059	QY00000195	DC PCB ASSY	1		
D10		INC. 49-58			
060	QY00000196	AC PLUG BRACKET	1		
061	QY00000026	TAPPING SCREW 3X8	2		
062	QY00000197	USB HOLDER PLATE	1		
063	QY00000170	TAPPING SCREW 2.0X6	4		
064	QY00000198	TAPPING SCREW FLANGE 2X5	2		
065	QY00000199	USB PCB	1		
066	QY00000200	USB TYPE-C PCB	1		
067	QY00000204	PANEL OUTPUT	1		
068	QY00000036	TAPPING SCREW 3X12	6		
069	QY00000067	AC OUTPUT SOCKET D	2		
070	QY00000210	USB COVER	1		
071	QY00000211	LEAD UNIT D	2		
072	QY00000026	TAPPING SCREW 3X8	2		
073	QY00000212	AC SOCKET HOLDER PLATE	1		
074	QY00000213	AC PLUG COVER	1		
075	QY00000214	LEAD UNIT E	1		
076	QY00000215	CIGAR LIGHTER SOCKET	1		
077	QY00000216	PIN	1		
078	QY00000217	CIGAR LIGHTER SOCKET COVER	1		
079	QY00000218	CIGAR LIGHTER SOCKET ASSY	1		
D10		INC. 75-78			
081	QY00000219	TAPPING SCREW 3X30	4		
082	QY00000220	HANDLE PIN COVER	2		
083	QY00000221	HANDLE PIN	2		
084	QY00000222	HANDLE	1		
085	QY00000223	DUCT	1		
086	QY00000224	LATCH A	1		
087	QY00000225	CONTAINNER BOX COVER	1		
088	QY00000226	PLUG COVER	1		
089	QY00000227	COUNTERSUNK TAPPING SCREW 4X12	4		
090	QY00000231	LEAD UNIT F	1		
091	QY00000233	FILTER PCB ASSY (H)	1		
092	QY00000235	EARTH WIRE	1		
093	QY00000236	BOTTOM HOUSING	1		
094	QY00000224	LATCH A	1		

095	QY00000223	DUCT		1		
096	QY00000011	TAPPING SCREW 3X12		2		
097	QY00000237	FILTER		1		
098	QY00000222	HANDLE		1		
099	QY00000221	HANDLE PIN		2		
100	QY00000220	HANDLE PIN COVER		2		
101	QY00000219	TAPPING SCREW 3X30		4		
105	QY00000011	TAPPING SCREW 3X12		2		
106	QY00000001	TAPPING SCREW 4X20		2		
107	QY00000224	LATCH A		1		
108	QY00000011	TAPPING SCREW 3X12		2		
109	QY00000026	TAPPING SCREW 3X8		8		
110	QY00000001	TAPPING SCREW 4X20		12		
111	QY00000011	TAPPING SCREW 3X12		2		
112	QY00000224	LATCH A		1		
113	QY00000001	TAPPING SCREW 4X20		2		
A01	QY00000250	NAMEPLATE		1		

Please state Parts No. when your order.

Print Date 10/24/2023