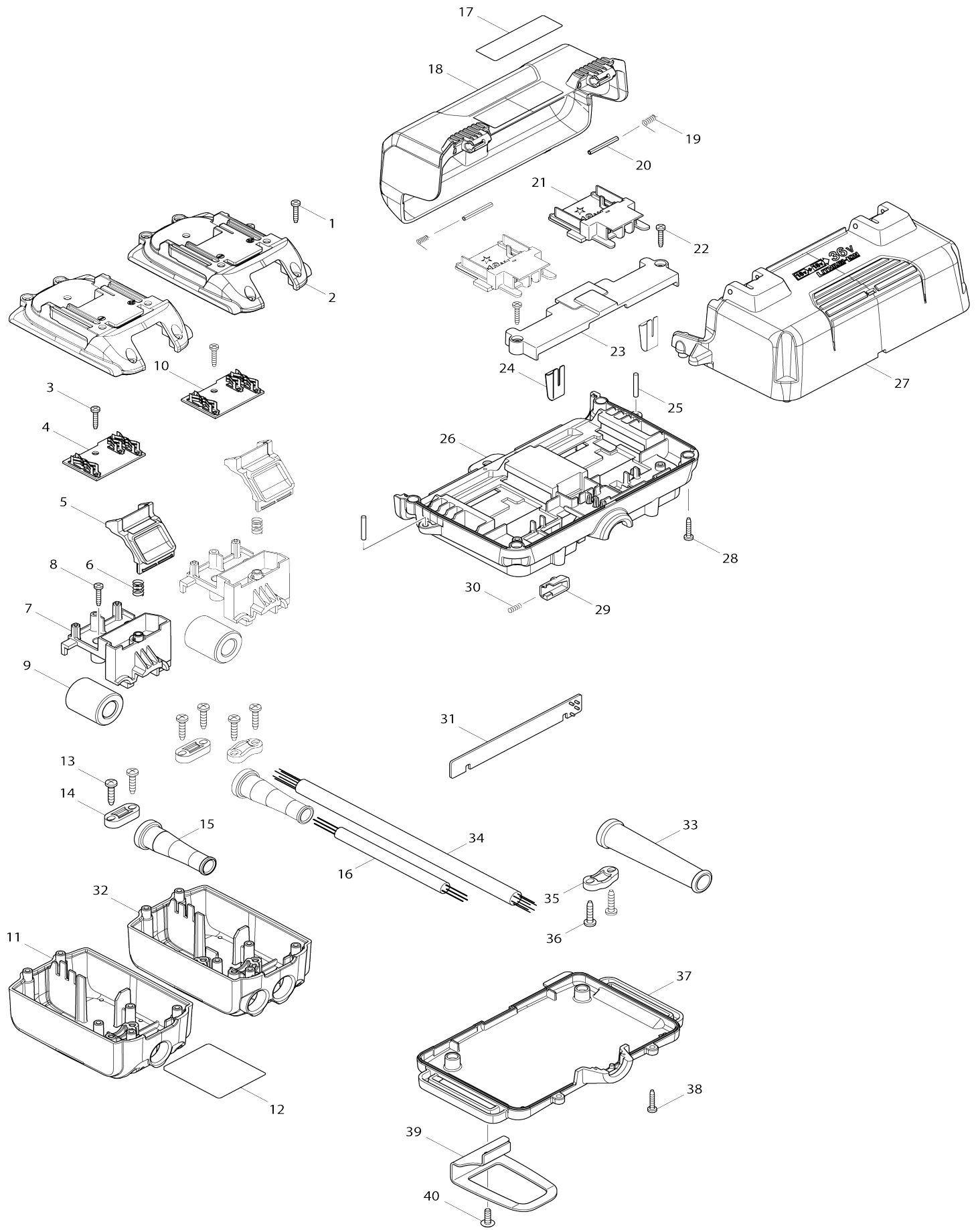


Model No.BAP182 BATTERY ADAPTER



Model No.BAP182 BATTERY ADAPTER

| Item No. | Parts No. | Description | Interchangability | Q'ty | New/Old | Note1 | Note2 |
|----------|-----------|------------------------------|-------------------|------|---------|-------|-------|
| 001 | 266130-9 | TAPPING SCREW BIND PT 3X16 | | 8 | | | |
| 002 | 456389-8 | Outer case A (upper) (black) | | 2 | * | | |
| 002-1 | 413A12-4 | OUTER CASE A(UPPER)(BLACK) | O | 2 | | | |
| 003 | 266130-9 | TAPPING SCREW BIND PT 3X16 | | 2 | | | |
| 004 | 620491-5 | Terminal board complete B | | 1 | | | |
| 005 | 455245-9 | Hook | | 2 | | | |
| 006 | 233441-7 | Compression spring 8 | | 2 | | | |
| 007 | 456392-9 | INNER SUPPORT | | 2 | | | |
| 008 | 266130-9 | TAPPING SCREW BIND PT 3X16 | | 4 | | | |
| 009 | 688140-0 | LINE FILTER | | 2 | | | |
| 010 | 620490-7 | Terminal board complete A | | 1 | | | |
| 011 | 456387-2 | Outer case A (under) (black) | | 1 | | | |
| 012 | 851L10-0 | Name plate BAP182 | | 1 | | | |
| 013 | 266326-2 | TAPPING SCREW 4X18 | | 4 | | | |
| 014 | 687140-7 | STRAIN RELIEF | | 2 | | | |
| 015 | 682095-1 | CORD GUARD | | 2 | | | |
| 016 | 660331-5 | Power supply cord | | 1 | | | |
| 017 | 819285-5 | MAKITA LOGO LABEL | | 1 | | | |
| 018 | 187081-2 | Battery cover set (blue) | | 1 | | | |
| C10 | 892537-9 | Caution label | | 1 | | | |
| D10 | | INC. 17 | | | | | |
| 019 | 233584-5 | Torsion spring 4 | | 2 | | | |
| 020 | 951075-1 | SPRING PIN 3-28 | | 2 | | | |
| 021 | 643899-6 | TERMINAL | | 2 | | | |
| 022 | 266130-9 | TAPPING SCREW BIND PT 3X16 | | 2 | | | |
| 023 | 452636-5 | TERMINAL HOLDER | | 1 | | | |
| 024 | 232267-4 | LEAF SPRING | | 2 | | | |
| 025 | 256158-5 | PIN 3 | | 2 | | | |
| 026 | 143541-4 | Center case complete (black) | | 1 | | | |
| 027 | 452635-7 | Under cover (black) | | 1 | | | |
| 028 | 266130-9 | TAPPING SCREW BIND PT 3X16 | | 4 | | | |
| 029 | 452637-3 | Slide latch | | 1 | | | |
| 030 | 231293-0 | COMPRESSION SPRING 3 | | 1 | | | |
| 031 | 620489-2 | Led circuit | | 1 | | | |
| 032 | 456390-3 | Outer case B (under) (black) | | 1 | | | |
| 033 | 682575-7 | CORD GUARD 12-90 | | 2 | | | |
| 034 | 660332-3 | Power supply cord | | 1 | | | |
| 035 | 687149-9 | STRAIN RELIEF | | 2 | | | |
| 036 | 266326-2 | TAPPING SCREW 4X18 | | 4 | | | |
| 037 | 456386-4 | Top cover (black) | | 1 | | | |
| 038 | 266130-9 | TAPPING SCREW BIND PT 3X16 | | 4 | | | |
| 039 | 346401-1 | Hook | | 1 | | | |
| 040 | 266622-8 | + TRUSS HEAD SCREW M4X12 | | 1 | | | |

Please state Parts No. when your order.

Print Date 10/11/2023