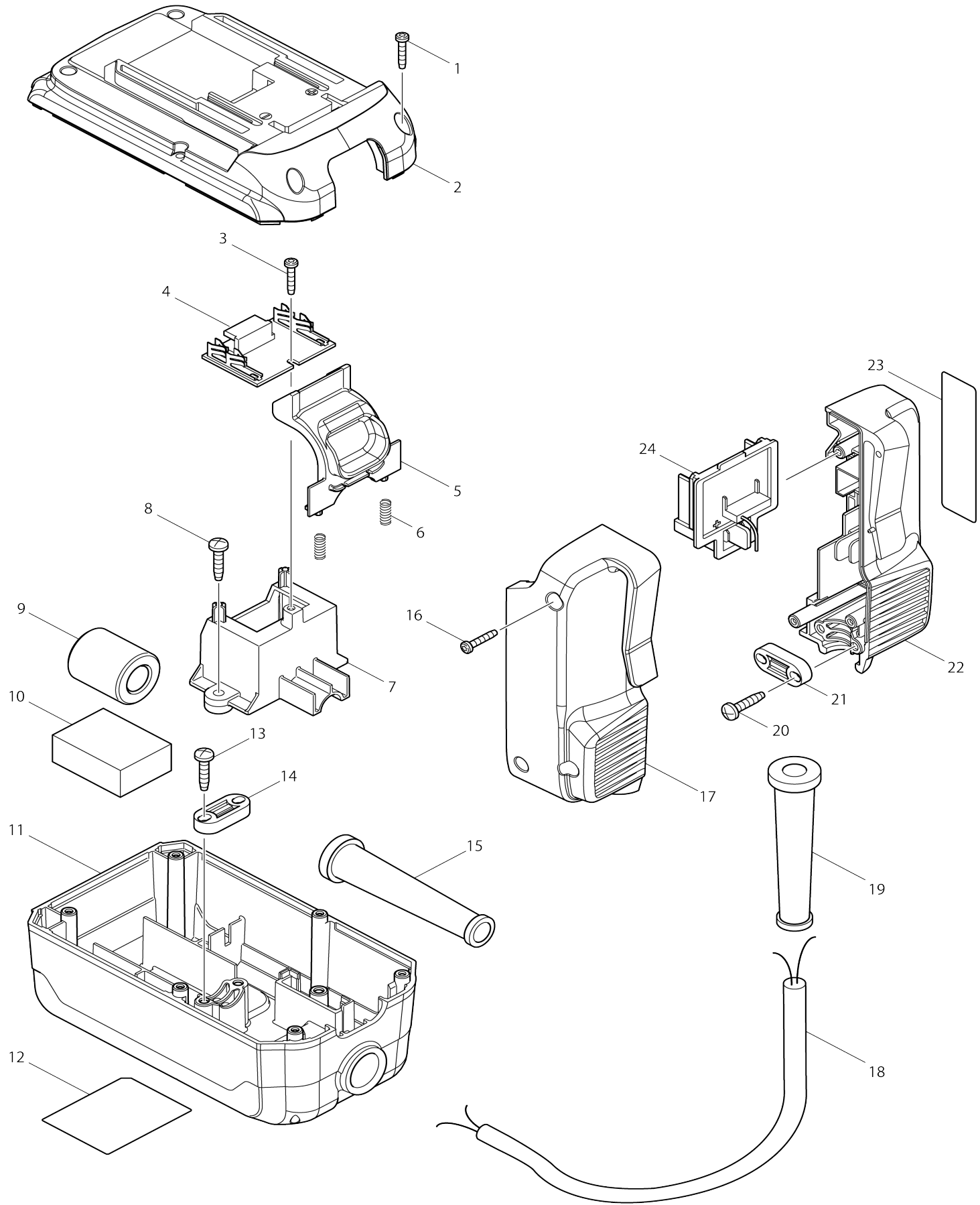


# Model No.BAP36 BATTERY ADAPTER



Model No.BAP36 BATTERY ADAPTER

Item No.	Parts No.	Description	Interchangability	Q'ty	New/Old	Note1	Note2
001	266277-9	Hexalobular socket tapping screw 3X16		6			
002	451255-4	Outer case (upper) (black)		1	*		
002-1	452190-9	Outer case (upper) (black)	O	1			
003	266277-9	Hexalobular socket tapping screw 3X16		1			
004	631879-4	Terminal board complete		1			
005	140100-5	Hook complete		1			
006	234120-0	Compression spring 4		2			
007	451260-1	INNER SUPPORT		1			
008	266326-2	TAPPING SCREW 4X18		2			
009	688140-0	LINE FILTER		1			
010	685718-0	SPONGE SHEET		1			
011	451256-2	Outer case (under) (black)		1			
012	866678-7	Name plate BAP36		1			
013	266326-2	TAPPING SCREW 4X18		2			
014	687140-7	STRAIN RELIEF		1			
015	682504-0	CORD GUARD 10-85		1			
016	266277-9	Hexalobular socket tapping screw 3X16		3			
017	188744-3	Case set (black)		1			
D10		INC. 22,23					
018	660280-6	Power supply cord 14-3-1.6		1			
019	682504-0	CORD GUARD 10-85		1			
020	266326-2	TAPPING SCREW 4X18		2			
021	687140-7	STRAIN RELIEF		1			
022	188744-3	Case set (black)		1			
D10		INC. 17,23					
023	819353-4	Makita logo label		1			
024	638667-0	Terminal unit		1			
024A_	638978-3	TERMINAL UNIT		1			

Please state Parts No. when your order.

Print Date 10/11/2023