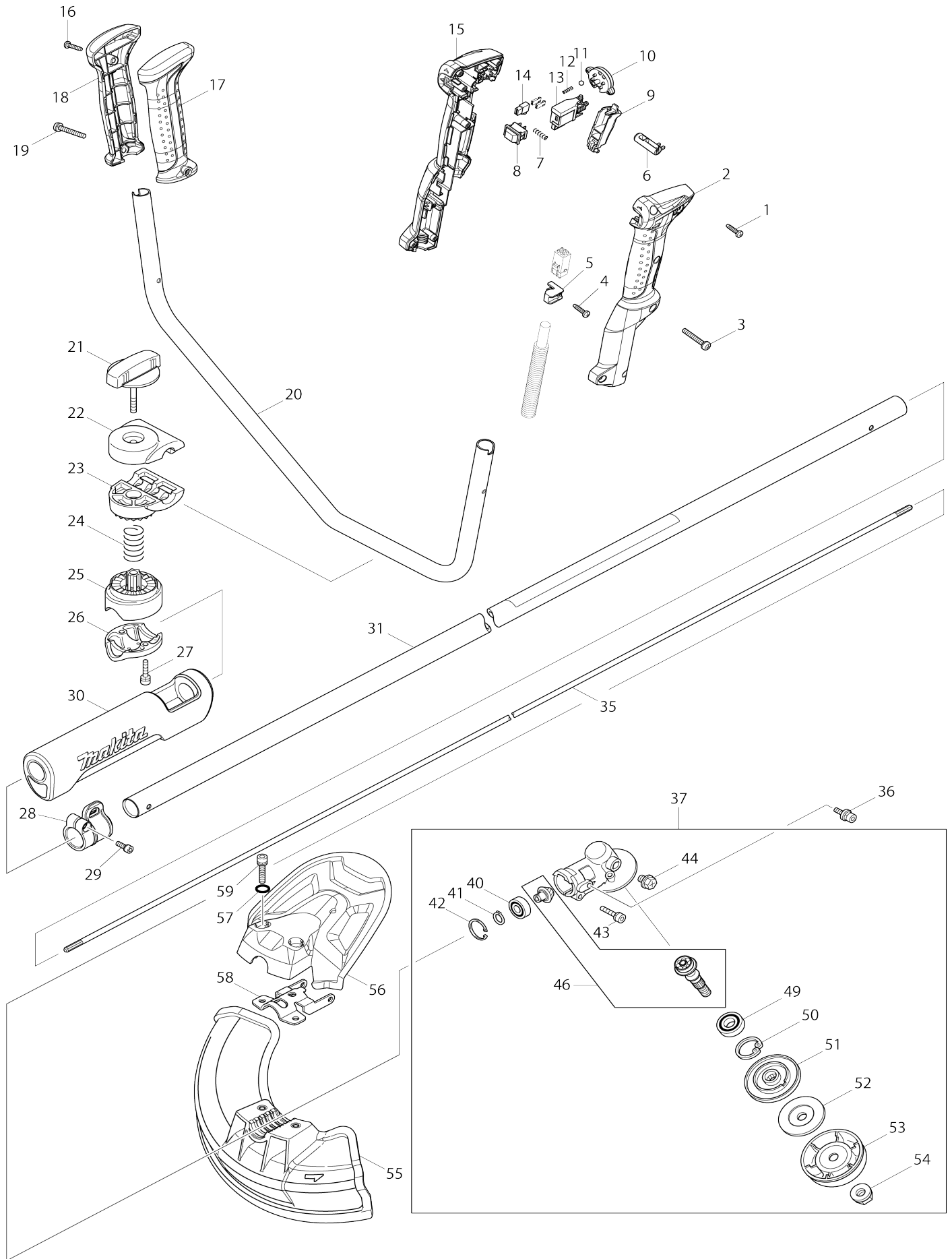
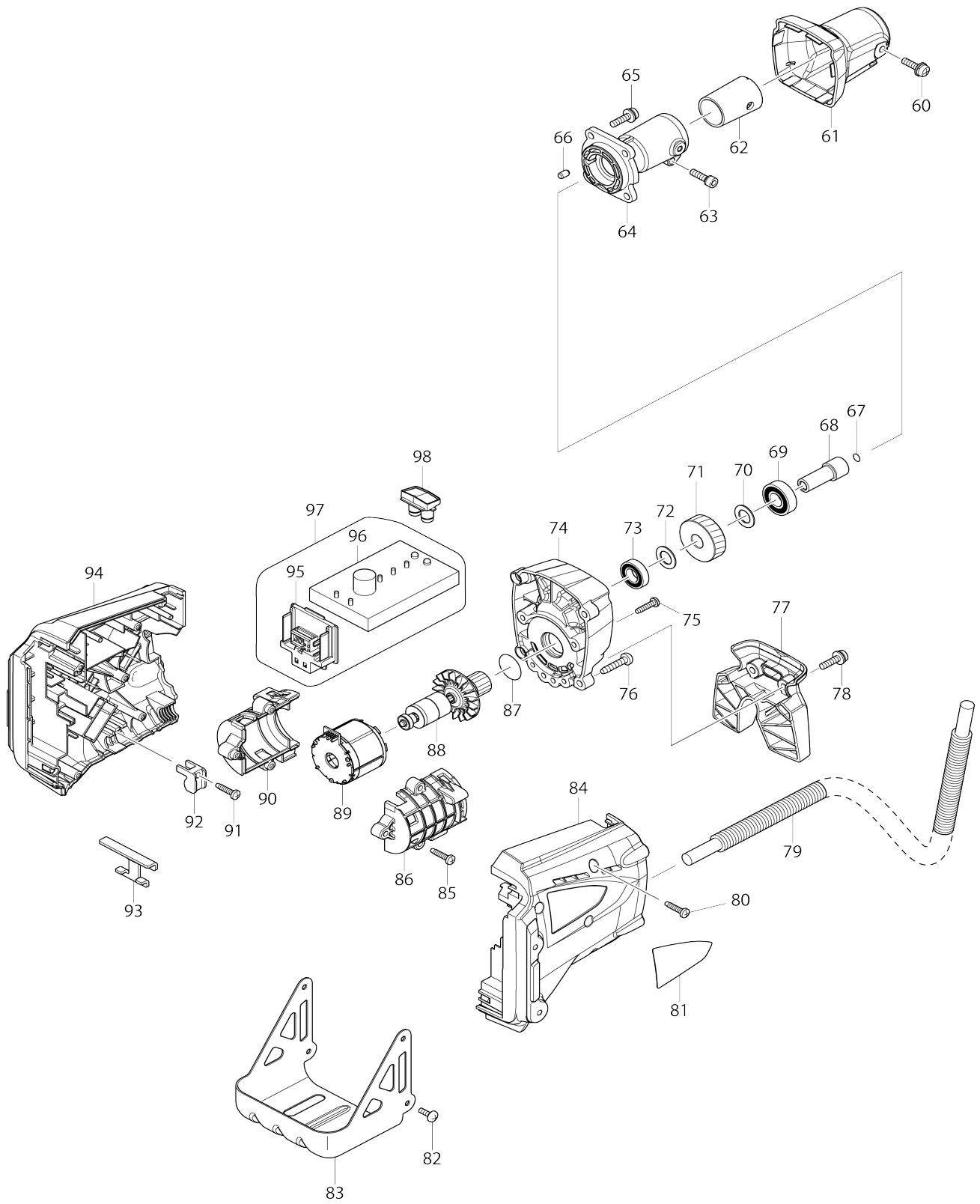


Model No.BBC231U 230MM CORDLESS BRUSHCUTTER



Model No.BBC231U 230MM CORDLESS BRUSHCUTTER



Model No.BBC231U 230MM CORDLESS BRUSHCUTTER

Item No.	Parts No.	Description	Interchangeability	Q'ty	New/Old	Note1	Note2
001	265995-6	TAPPING SCREW 4X18		6			
002	188839-2	Main grip set		1			
D10		INC. 15					
003	911256-9	PAN HEAD SCREW M5X35		1			
004	265995-6	TAPPING SCREW 4X18		1			
005	687261-5	STRAIN RELIEF		1			
006	451571-4	LOCK OFF BUTTON		1			
007	231473-8	COMPRESSION SPRING 4		1	*		
007-1	234079-1	COMPRESSION SPRING 4	<	1			
008	651533-4	SWITCH SLE6A2-33		1			
009	451573-0	Switch lever		1	*		
009-1	452594-5	Switch lever	<	1			
010	451574-8	Indicator		1			
011	216018-3	STEEL BALL 5.0		1			
012	233211-4	COMPRESSION SPRING 2		1			
013	650629-8	Switch TGR3-2		1	*		
013-1	650629-8	Switch TGR3-2	S	1			
014	686015-7	RECEPTACLE SLEEVE		1			
015	188839-2	Main grip set		1			
D10		INC. 2					
016	265995-6	TAPPING SCREW 4X18		1			
017	188659-4	Grip set		1			
D10		INC. 18					
018	188659-4	Grip set		1			
D10		INC. 17					
019	911256-9	PAN HEAD SCREW M5X35		1			
020	331862-8	Handle 19		1			
021	168524-3	Knob 57		1	*		
021-1	168796-0	KNOB 57	<	1			
022	318429-9	HANDLE CLAMP		1			
023	318428-1	HANDLE HOLDER		1			
024	233202-5	COMPRESSION SPRING 20		1			
025	318427-3	PIPE HOLDER		1			
026	318426-5	PIPE CLAMP		1			
027	922241-7	HEX. SOCKET HEAD BOLT M5X25		2			
028	168478-4	HANGER		1			
029	922228-9	H.S.H.BOLT M5X18 WITH WR		1			
030	424290-5	CUSHION		1	*		
030-1	424290-5	CUSHION	O	1	*		
030-2	424463-0	CUSHION	S	1			
031	140284-9	SHAFT PIPE COMPLETE		1	*		
C10	810558-9	CAUTION LABEL		1	*		
031-1	141091-3	SHAFT PIPE COMPLETE	<	1			
C10	810558-9	CAUTION LABEL		1			
C20	819312-8	MAKITA LOGO LABEL		1			
035	325812-3	SHAFT		1			
036	922218-2	H.S.H.BOLT M5X14 WITH WR		2			

037	125556-3	GEAR CASE ASSEMBLY		1	*		
D10		INC. 40-44,46,49-54					
037-1	123833-7	GEAR CASE ASSEMBLY	S	1	*		
D10		INC. 40-42,44,46,49-54					
037-2	123833-7	GEAR CASE ASSEMBLY	O	1			
D10		INC. 40-42,44,46,49-54					
040	210049-4	BALL BEARING 609ZZ		1	*		
040-1	210157-1	BALL BEARING 609ZZ	O	1			
041	961005-4	RETAINING RING S-9		1	*		
041-1	257986-1	RETAINING RING (EXT) S-9	O	1			
042	962103-7	RETAINING RING R-24		1	*		
042-1	257987-9	RETAINING RING (INT)R-24	O	1			
043	922241-7	HEX. SOCKET HEAD BOLT M5X25		1			
044	265590-2	+HEX.BOLT M8X10 WITH R		1			
046	188902-1	CUTTER SHAFT SET		1	*		
046-1	183A00-2	CUTTER SHAFT SET	O	1	*		
046-2	183K10-9	CUTTER SHAFT SET	O	1			
049	210115-7	BALL BEARING 6001LLU		1			
050	962106-1	RETAINING RING R-28		1	*		
050-1	257407-3	RETAINING RING (INT)R-28	O	1			
051	331861-0	RECEIVE WASHER		1	*		
051-1	326821-5	RECEIVE WASHER	O	1			
052	346084-7	CLAMP WASHER		1			
053	168526-9	CUP		1			
054	264025-0	HEX. NUT M10-17		1			
055	451566-7	PROTECTOR		1			
056	451565-9	PROTECTOR COVER		1			
057	213105-9	O RING 11		2			
058	346073-2	PROTECTOR CLAMP		1			
059	922353-6	HEX.SOCKET HEAD BOLT M6X30		2			
060	911233-1	PAN HEAD SCREW M5X20		1			
061	451578-0	Pipe bracket cover (black)		1			
062	424307-4	PIPE RUBBER		1			
063	922231-0	HEX. SOCKET HEAD BOLT M5X20		1			
064	318560-1	PIPE BRACKET		1			
065	911233-1	PAN HEAD SCREW M5X20		4			
066	263002-9	RUBBER PIN 4		1			
067	213045-1	O-RING 6		1			
068	325811-5	SPINDLE HUB		1			
069	211148-5	BALL BEARING 6001ZZ		1			
070	253744-3	FLAT WASHER 12		1			
071	227720-3	HELICAL GEAR 33		1			
072	253744-3	FLAT WASHER 12		1			
073	211150-8	BALL BEARING 6901ZZ		1			
074	318559-6	GEAR BOX		1			
075	265995-6	TAPPING SCREW 4X18		4			
076	266041-8	TAPPING SCREW 5X25		4			
077	451572-2	STAND		1			
078	911233-1	PAN HEAD SCREW M5X20		2			
079	699045-9	Power supply cord unit		1			
080	265995-6	TAPPING SCREW 4X18		5			
081	867943-7	Name plate BBC231U		1	*		

081-1	896445-6	Name plate BBC231U	<	1			
082	251314-2	+ SCREW M4X12		4			
083	346194-0	BATTERY GUARD		1			
084	188836-8	HOUSING SET		1	*		
D10		INC. 94					
084-1	183A74-3	HOUSING SET	<	1	*		
D10		INC. 94					
084-2	183C17-7	HOUSING SET	S	1			
D10		INC. 94					
085	265995-6	TAPPING SCREW 4X18		3			
086	188838-4	MOTOR HOUSING SET		1			
D10		INC. 90					
087	213961-7	O RING 22		1			
088	619254-4	ROTOR		1			
089	629880-1	STATOR		1			
090	188838-4	MOTOR HOUSING SET		1			
D10		INC. 86					
091	265995-6	TAPPING SCREW 4X18		1			
092	687261-5	STRAIN RELIEF		1			
093	346039-2	SUPPORT PLATE		1			
094	188836-8	HOUSING SET		1	*		
D10		INC. 84					
094-1	183A74-3	HOUSING SET	<	1	*		
D10		INC. 84					
094-2	183C17-7	HOUSING SET	S	1			
D10		INC. 84					
095	643849-1	TERMINAL		1			
096	631942-3	CONTROLLER		1	*		
096-1	620496-5	CONTROLLER	S	1			
097	631941-5	CONTROLLER COMPLETE		1	*		
D10		INC. 95,96					
097-1	620497-3	CONTROLLER COMPLETE	S	1			
D10		INC. 95,96					
098	140285-7	INDICATION PLATE COMPLETE		1			
A01	122906-3	BAND ASSY		1			
C10	140400-3	HOOK COMPLETE		1			
A02	140583-9	PROTECTOR EXTENSION COMPLETE		1			
C10	891041-5	INDICATION LABEL		1			
A03	265995-6	TAPPING SCREW 4X18		1			
A04	346280-7	CUTTER		1			
A05	450573-7	TOOL COVER		2	*		
A05-1	456924-2	TOOL COVER	O	1			
A06	782210-8	SOCKET WRENCH 17		1			
A07	783202-0	HEX. WRENCH 4		1			
A08	783217-7	HEX. WRENCH 5		1			
A09	831304-7	ACCESSORY BAG		1			
A10	***DC36RA	DC36RA FAST CHARGER		1			
A11	194873-2	BATTERY BL3626 SET		2	*		
A11-1	194873-2	BATTERY BL3626 SET	O	2	*		
A11-2	194873-2	BATTERY BL3626 SET	O	2			
A12	451153-2	BATTERY COVER		1			

A13	195150-5	CUTTER BLADE SET		1	*		
A13-1	B-14118	STAR BLADE 230X4TX25.4	<	1	*		
A13-2	D-66008	BRUSH CUTTER BLADE230X4T	<	1			

Please state Parts No. when your order.

Print Date 10/11/2023