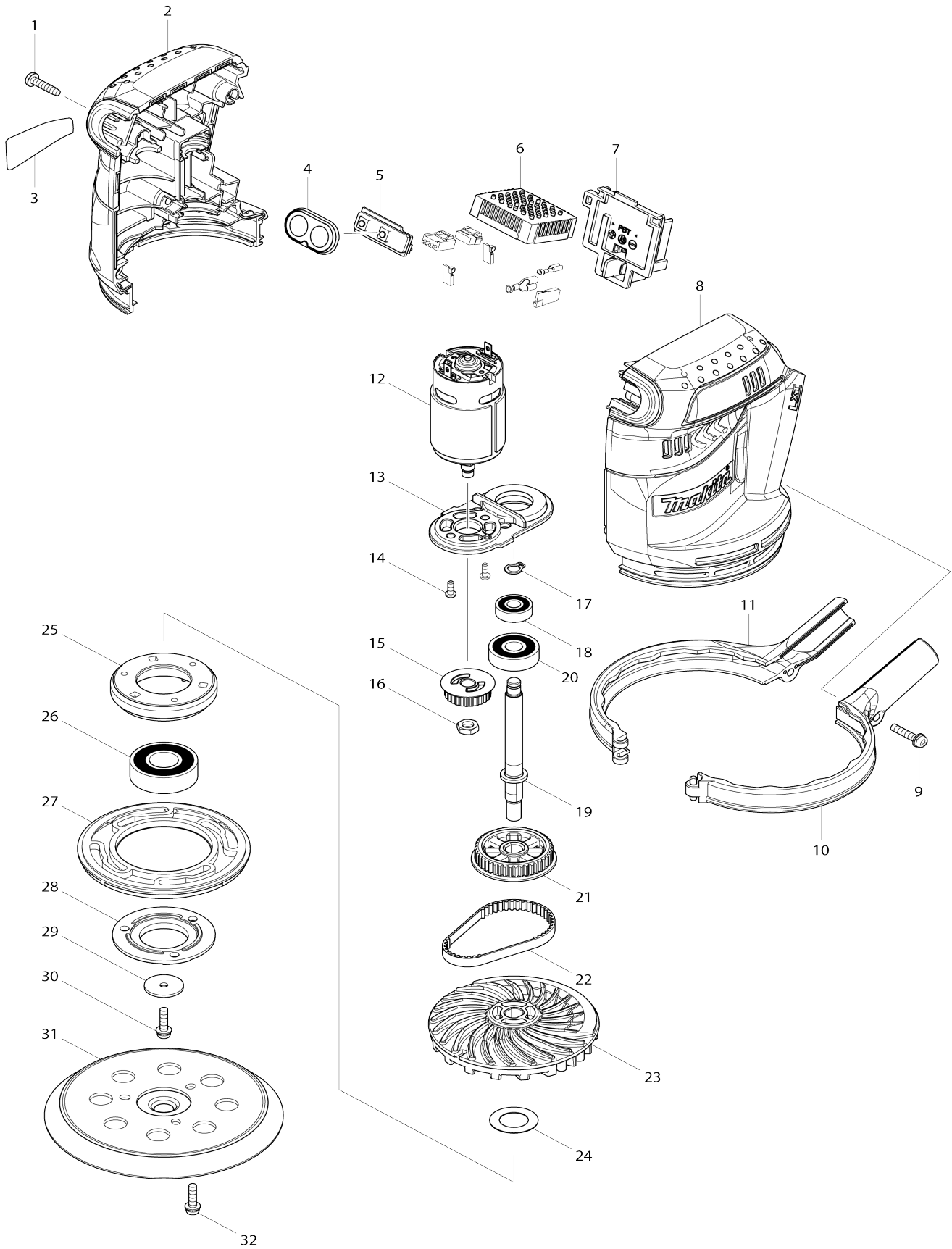


Model No.BB0140 125MM CRDLS RNDM ORBIT SANDER



Model No.BBO140 125MM CRDLS RNDM ORBIT SANDER

Item No.	Parts No.	Description	Interchangability	Q'ty	New/Old	Note1	Note2
001	265995-6	TAPPING SCREW 4X18		5			
002	187423-0	HOUSING SET		1			
C10	263005-3	RUBBER PIN 6		2			
D10		INC. 8					
003	897236-8	BBO140 NAME PLATE		1			
004	141419-5	SWITCH PLATE COMPLETE		1			
005	620115-3	SWITCH UNIT		1			
006	638981-4	CONTROLLER UNIT		1	*		
C10	688172-7	LINE FILTER		1	*		
006-1	632M21-8	CONTROLLER UNIT	<	1			
C10	688172-7	LINE FILTER		1			
007	643866-1	TERMINAL		1			
008	187423-0	HOUSING SET		1			
C10	263005-3	RUBBER PIN 6		2			
D10		INC. 2					
009	911138-5	P.H.SCREW M4X20 WITH WR		1			
010	187360-8	SKIRT SET		1			
D10		INC. 11					
011	187360-8	SKIRT SET		1			
D10		INC. 10					
012	629950-6	DC MOTOR		1			
013	453632-6	MOTOR BRACKET		1			
014	265199-0	+ PAN HEAD SCREW M3X8		2			
015	222175-7	PULLEY 7.5-24.1		1			
016	931303-0	HEX. NUT M6		1			
017	961003-8	RETAINING RING S-7		1			
018	210062-2	BALL BEARING 607ZZ		1			
019	326168-7	SPINDLE		1			
020	211092-6	BALL BEARING 629DDW		1			
021	222176-5	PULLEY 7.5-40.3		1			
022	225095-4	SYNCHRO BELT 6-174		1			
023	240136-5	FAN 88		1			
024	267164-5	FLAT WASHER 15		1			
025	318304-9	BEARING BOX		1			
026	211228-7	BALL BEARING 6202DDW		1			
027	424131-5	BRAKE RING		1			
028	318303-1	BEARING BOX COVER		1			
029	253739-6	FLAT WASHER 4		1			
030	911128-8	P.H.SCREW M4X16 WITH WR		1			
031	743081-8	PAD 123		1			
032	911128-8	P.H.SCREW M4X16 WITH WR		3			
A01	135246-0	DUST BOX ASSEMBLY		1			
D10		INC. A02-A05					
A02	450770-5	DUST BOX		1			
A03	450769-0	DUST NOZZLE		1			
A04	424144-6	RUBBER SLEEVE		1			
A05	232246-2	LEAF SPRING		2			

A06	194746-9	PAPER DUST BAG SET		1		
A07	794544-7	ABRASIVE DISC 125 #120		1		
F02	192349-3	JOINT 25		1		
F05	195134-3	FILTER SET		1		
F06	196152-4	FELT PAD SET		1		
F15-3	197622-6	BATTERY BL1430B SET(2PIECES)	O	1	*	
F16-3	197615-3	BATTERY BL1430B SET	O	1		
F17	197468-0	PAD 123 SET(EU)		1		
A08	***DC18RC	DC18RC FAST CHARGER		1		
A09	194065-3	BATTERY BL1430 SET		2	*	
A09-1	194065-3	BATTERY BL1430 SET	O	2	*	
A09-2	197616-1	BATTERY BL1430B SET	<	2	*	
A09-3	197616-1	BATTERY BL1430B SET	O	2		
A10	450128-8	BATTERY COVER		1		
A11	821533-0	PLASTIC CARRYING CASE		1		
C10	163455-1	LATCH		2		
C20	419360-3	HANDLE		1		
A12	898883-8	BBO140RFE PLASTIC CASE LABEL		2		
A11	821550-0	CONNECTOR PLASTIC CASE (TYP E2)		1		
C10	453974-8	LATCH		4		
A12	837627-1	INNER TRAY		1	*	
A12-1	837809-5	INNER TRAY	<	1		
A13	800S61-2	BBO140RFJ INDICATION LABEL		1		
A14	800S62-0	BBO140RFJ PLASTIC CASE LABEL		2		
A13	800S63-8	BBO140ZJ INDICATION LABEL		1		
A14	800S64-6	BBO140ZJ PLASTIC CASE LABEL		2		

Please state Parts No. when your order.

Print Date 10/11/2023