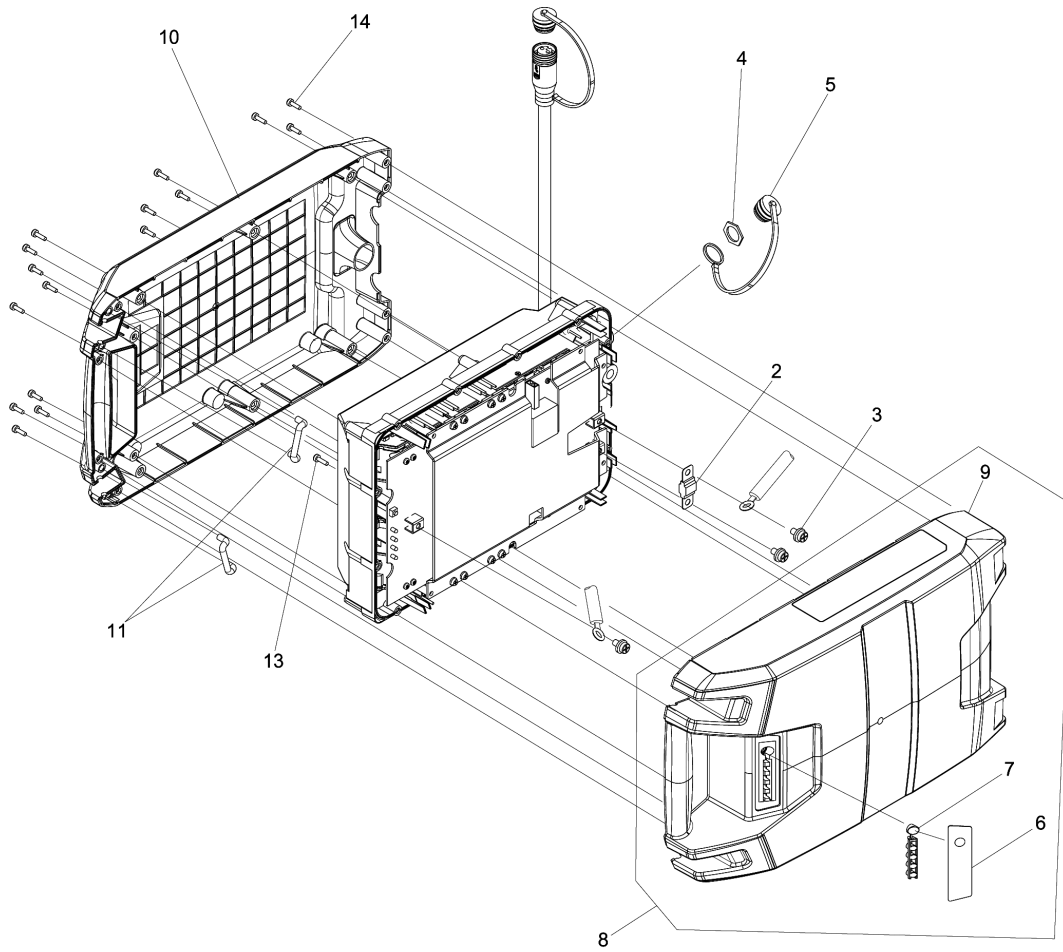
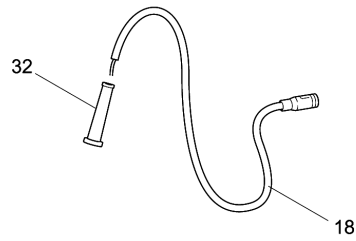
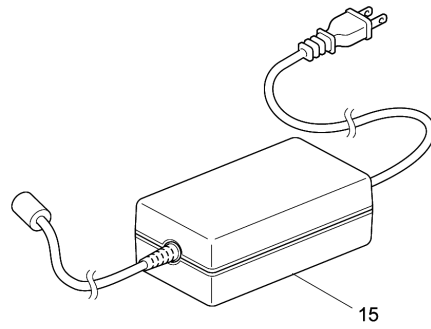
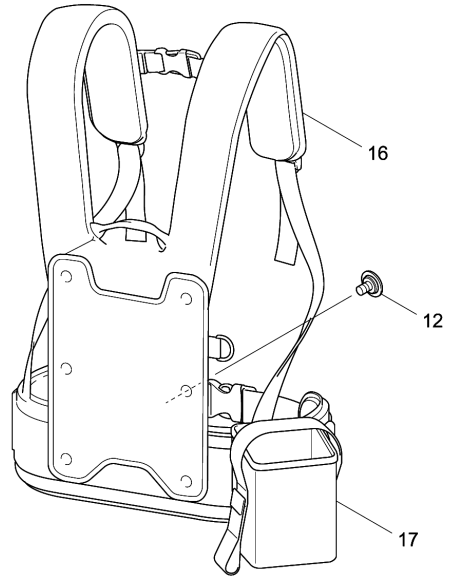
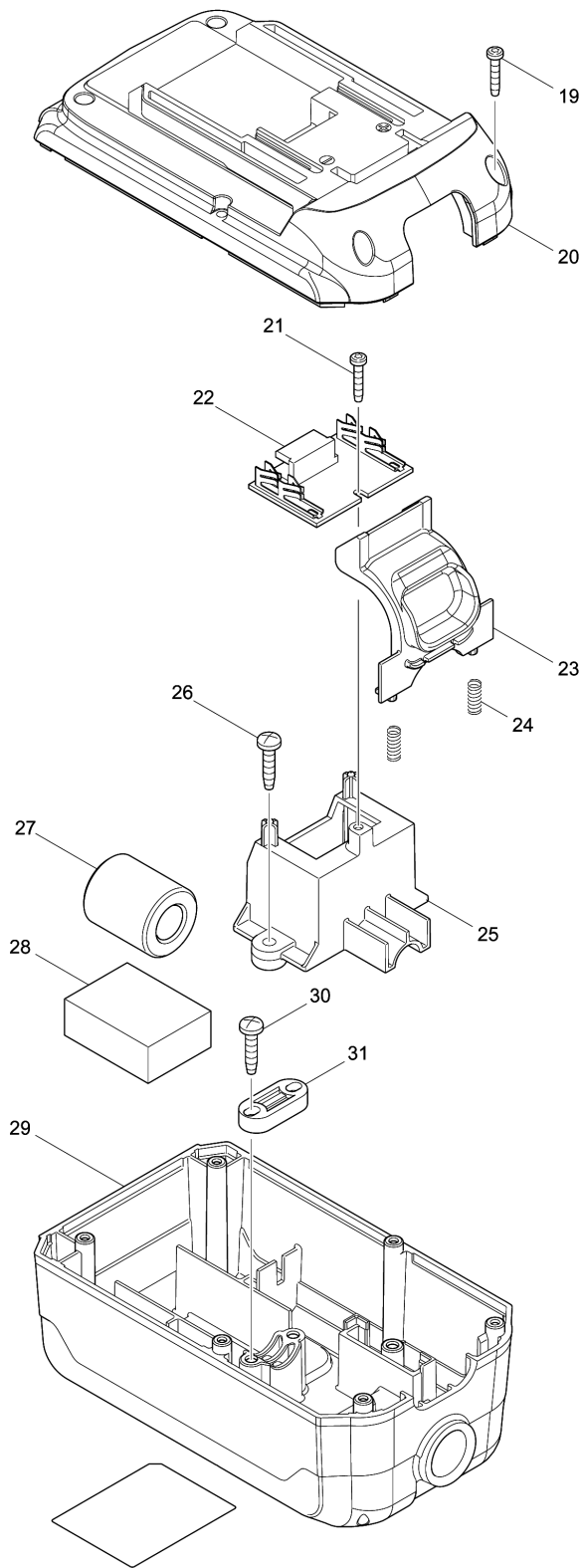


Model No.BL36120A



Model No.BL36120A



Model No.BL36120A

Item	Parts No.	Description	I/C	Qty	New/Old	Opt. 1	Opt. 2	Note
001	ENH604013A	M17 WATERPROOF COVER FOR		1	*			
002	ENE304005A	FUSE FOR MAIN BOARD PCB		1				
003	ENH204037A	M5*10 SCREW WITH NICKLE PLATED		3				
004	ENH103018A	NUT FOR DC-IN M15 CABLE		1				
005	ENH604014A	M15 WATERPROOF COVER FOR DC-IN		1				
006	ENH501020A	LED SOC PANEL		1				
007	ENM139009A	LED INDICATORS AND PUSH BUTTON		1				
008	ENM110035A	HOUSING- TOP COVER ASSY		1	*			
008-1	ENM110035A	HOUSING- TOP COVER ASSY	O	1				
D10		INC. 6,7						
009	ENM139001A	HOUSING-TOP COVER(MAKITA)		1	*			
009-1	ENM139001A	HOUSING-TOP COVER(MAKITA)	O	1	*			
010	ENM139002A	HOUSING- BOTTOM COVER		1				
011	ENM139007A	IRON BAR		2				
012	265008-3	+ FLAT HEAD SCREW M5		6				
013	ENH204043A	SAFETY SCREW FOR OUTER CELL		12	*			
013-1	ENH204045A	SAFETY SCREW FOR OUTER CELL	<	12				
014	ENH204043A	SAFETY SCREW FOR OUTER CELL		16	*			
014-1	ENH204045A	SAFETY SCREW FOR OUTER CELL	<	16				
015	ENE401046A	ADAPTOR (180W) FOR EU		1				
016	ENM139010A	HARNESS WITHOUT POCKET(MAKITA)		1				
017	ENM139011A	POCKET FOR HARNESS(MAKITA)		1				
018	ENE504120A	DC-OUT CABLE (M17 W/P		1				
019	266277-9	TAPPING SCREW TORX 3X16		6				
020	452190-9	OUTER CASE (UPPER)		1				
021	266277-9	TAPPING SCREW TORX 3X16		1				
022	631879-4	TERMINAL BOARD COMPLETE		1				
023	140100-5	HOOK COMPLETE		1				
024	234120-0	COMPRESSION SPRING 4		2				
025	451260-1	INNER SUPPORT		1				
026	266326-2	TAPPING SCREW 4X18		2				
027	688140-0	LINE FILTER		1				
028	685718-0	SPONGE SHEET		1				
029	451256-2	OUTER CASE (UNDER)		1				
030	266326-2	TAPPING SCREW 4X18		2				
031	687140-7	STRAIN RELIEF		1				
032	682504-0	CORD GUARD 10-85		1				
033	620798-9	DIODE UNIT		1				

Please order the parts with part number.

Print Date 24/10/2023