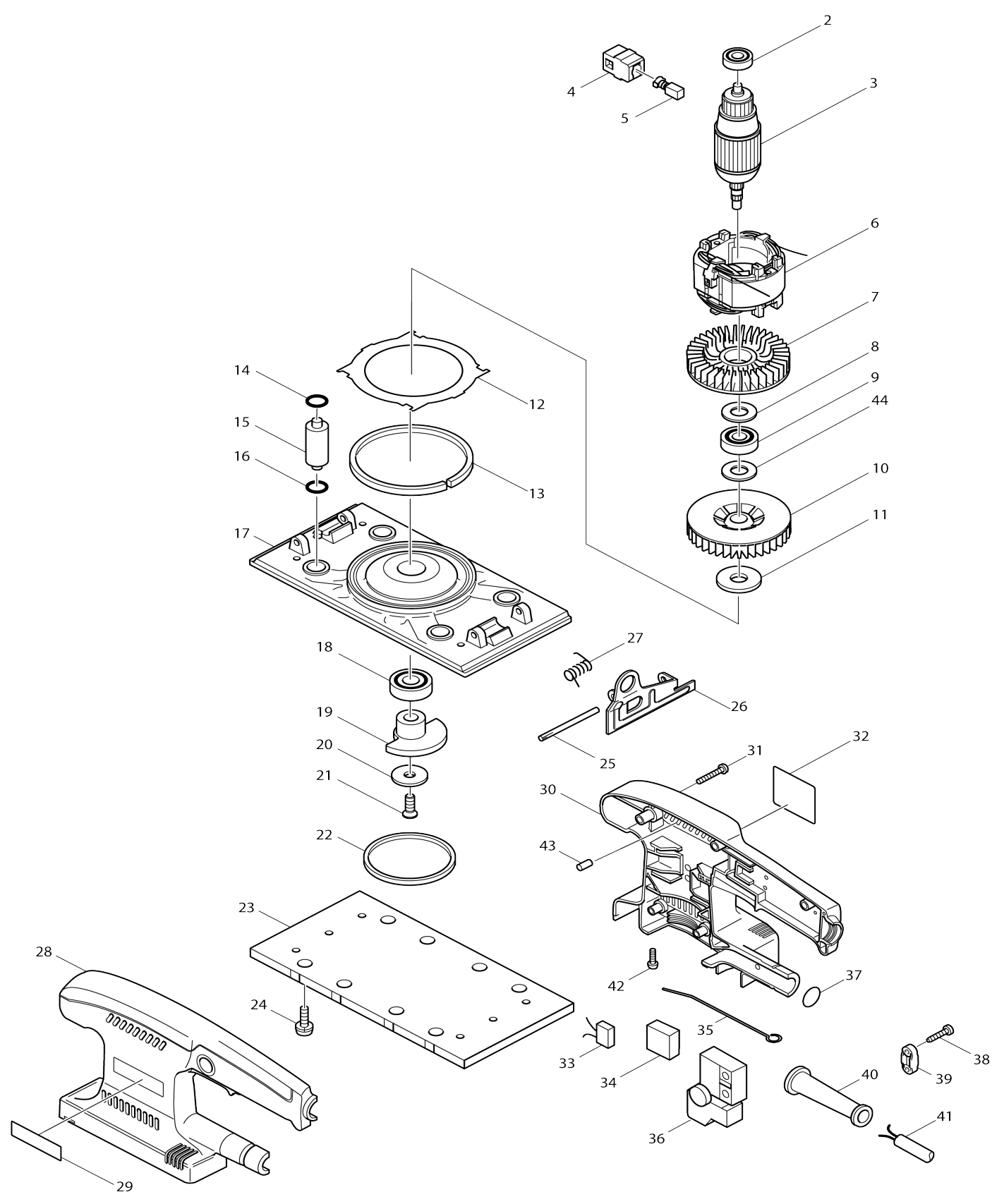


Model No. BO3700 FINISHING SANDER



Model No.BO3700 FINISHING SANDER

Item No.	Parts No.	Description	Interchangability	Q'ty	New/Old	Note1	Note2
002	210025-8	BALL BEARING 627LLB		1	*		
002-1	210030-5	BALL BEARING 627ZZ	O	1			
003	517339-9	ARMATURE ASS'Y 230-240V		1	*		
D10		INC. 2,7-10,44					
003-1	510315-2	ARMATURE ASS'Y 230-240V	<	1			
D10		INC. 2,7-10,44					
004	643552-4	BRUSH HOLDER 5-8		2	*		
004-1	643562-1	BRUSH HOLDER 5X8	O	2	*		
004-2	643552-4	BRUSH HOLDER 5-8	O	2			
005	191627-8	CARBON BRUSH CB-64		1			
006	599339-1	FIELD ASS'Y 220-240V		1			
C10	654002-4	TERMINAL 1.25-M4		2			
007	240038-5	FAN 65		1			
008	253311-4	THIN WASHER 10		1			
009	211087-9	BALL BEARING 6200DDW		1			
010	240029-6	FAN 68		1			
011	267216-2	FLAT WASHER 8		1			
012	344832-8	PLATE		1			
013	443108-1	FELT 6X225X3		1			
014	213047-7	O RING 4		4			
015	324031-8	FOOT		4			
016	213047-7	O RING 4		4			
017	317285-4	BASE		1			
018	211227-9	BALL BEARING 6002DDW		1	*		
018-1	211236-8	BALL BEARING 6002DDW	O	1			
019	317284-6	BALANCER		1			
020	267001-3	FLAT WASHER 7		1			
021	912222-9	COUNTERSUNK HEAD SCREW M5 X16		1			
022	261114-2	SPONGE WASHER 53		1			
023	151781-0	PAD COMPLETE		1	*		
023-1	140146-1	PAD COMPLETE	O	1	*		
023-2	140441-9	PAD COMPLETE	<	1			
024	911111-5	PAN HEAD SCREW M4X10 WITH W		4			
025	256739-5	PIN 4-55		2			
026	344831-0	PAPER CLAMP		2	*		
026-1	345342-8	PAPER CLAMP	<	2			
027	231647-1	TORSION SPRING 4		2			
028	183232-5	HOUSING SET		1			
D10		INC. 30,43					
029	819063-3	MAKITA LABEL		1			
030	183232-5	HOUSING SET		1			
D10		INC. 28,43					
031	265995-6	TAPPING SCREW 4X18		5			
032	852707-2	NAME PLATE BO3700		1			
033	645006-7	NOISE SUPPRESSOR		1			
034	685725-3	SPONGE SHEET		1			

035	323947-4	EARTH WIRE		1		
036	651286-5	SWITCH SGEL206C-5		1	*	
036-1	651286-5	SWITCH SGEL206C-5	O	1		
037	213315-8	O RING 19		1		
038	265995-6	TAPPING SCREW 4X18		2		
039	687052-4	STRAIN RELIEF		1	*	
039-1	687124-5	STRAIN RELIEF	O	1		
040	682502-4	CORD GUARD 8-85		1		
041C_	665383-1	POWER SUPPLY CORD 1.0-2-2.0		1		
042	266007-8	TAPPING SCREW BIND PT 3X10		2		
043	263002-9	RUBBER PIN 4		2		
044	253311-4	THIN WASHER 10		1		
045	424056-3	SPONGE SLEEVE 9		4		
A01	794563-3	ABRASIVE PAPER 93X228 #120		1	*	
A01-1	A-31267	ABRASIVE PAPER 93X228 #120	O	1		
A02	151780-2	DUST BAG COMPLETE		1	*	
A02-1	193294-5	PAPER DUST BAG HOLDER	>	1		
A03	192989-7	PUNCH PLATE		1		
A04	193293-7	PAPER DUST BAG		1		

Please state Parts No. when your order.

Print Date 10/17/2023