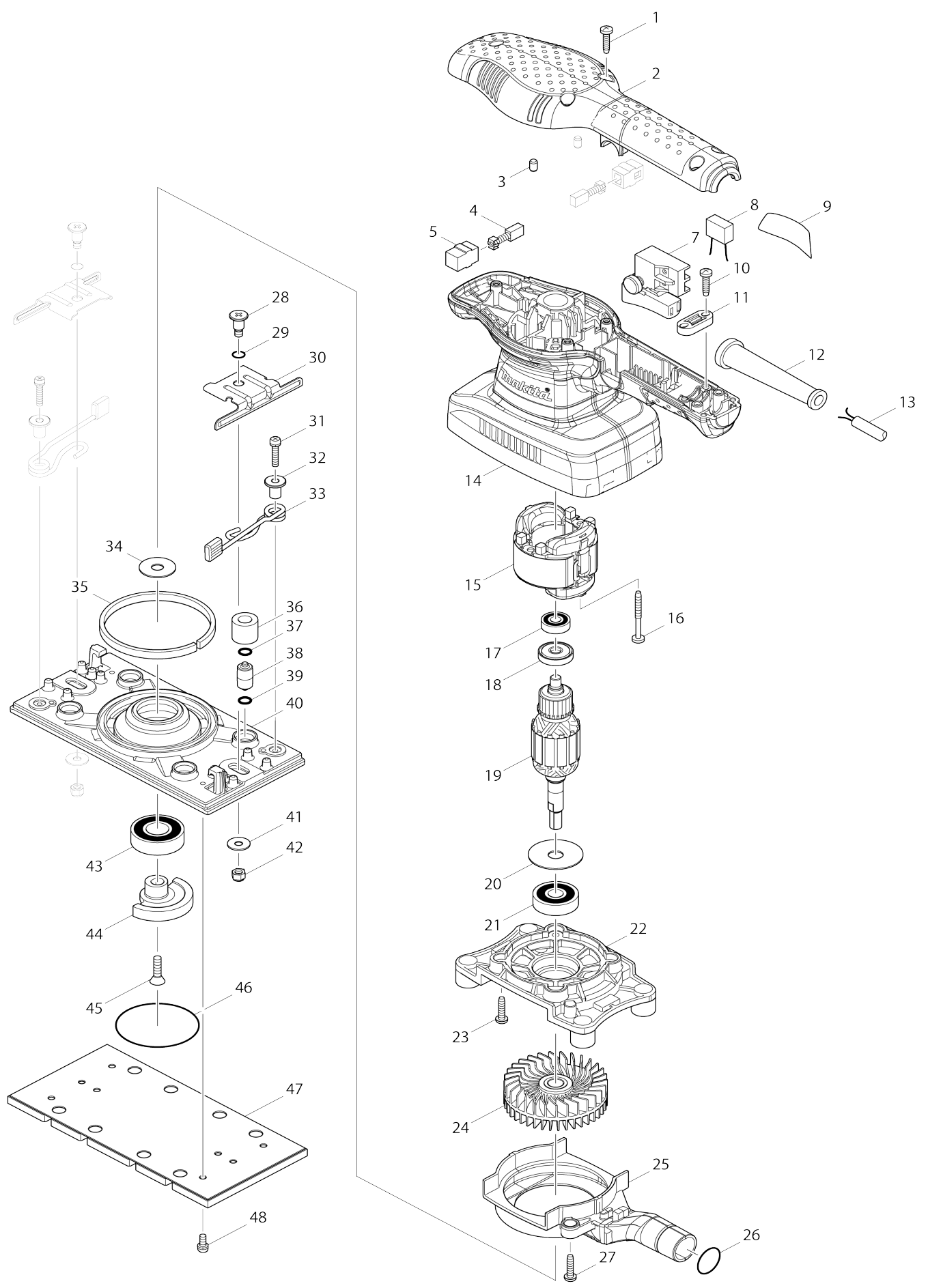


# Model No. BO3710 FINISHING SANDER



Model No.BO3710 FINISHING SANDER

Item No.	Parts No.	Description	Interchangability	Q'ty	New/Old	Note1	Note2
001	265995-6	TAPPING SCREW 4X18		5			
002	451268-5	TOP COVER		1			
003	263002-9	RUBBER PIN 4		2			
004	191627-8	CARBON BRUSH CB-64		1			
005	643552-4	BRUSH HOLDER 5-8		2			
007	651286-5	SWITCH SGEL206C-5		1	*		
007-1	651286-5	SWITCH SGEL206C-5	O	1			
008	645239-4	NOISE SUPPRESSOR		1			
009	866995-5	BO3710 NAME PLATE		1			
010	265995-6	TAPPING SCREW 4X18		2			
011	687124-5	STRAIN RELIEF		1			
012	682569-2	CORD GUARD 8-85		1			
013	665383-1	POWER SUPPLY CORD 1.0-2-2.0		1			
014	451270-8	MOTOR HOUSING		1			
015	593703-8	FIELD ASSEMBLY 220-240V		1	*		
C10	654037-5	INSULATED TERM. FT1.25-M3		2	*		
015-1	593703-8	FIELD ASSEMBLY 220-240V	O	1			
C11	654037-5	INSULATED TERM. FT1.25-M3	O	2	*		
C12	654409-4	TERMINAL VR1.25-3.5LB	O	2			
016	266048-4	TAPPING SCREW 4X40		2			
017	210062-2	BALL BEARING 607ZZ		1	*		
017-1	210293-3	BALL BEARING 607ZZ	O	1			
018	681652-2	INSULATION WASHER		1			
019	515784-2	ARMATURE ASSEMBLY 240V		1	*		
D10		INC. 17,18,20,21					
019-1	510562-5	ARMATURE ASS'Y 240V	O	1			
D10		INC. 17,18,20,21					
020	253180-3	FLAT WASHER 10		1			
021	211087-9	BALL BEARING 6200DDW		1			
022	451266-9	BEARING BOX		1			
023	265995-6	TAPPING SCREW 4X18		4			
024	240117-9	FAN 68		1			
025	451267-7	FAN GUIDE		1			
026	213315-8	O RING 19		1			
027	265995-6	TAPPING SCREW 4X18		2			
028	266511-7	+ FLAT FILLISTER HEAD SCREW M5		2			
029	213045-1	O-RING 6		2			
030	346102-1	PAPER CLAMP		2			
031	911136-9	PAN HEAD SCREW M4X20		2			
032	310300-3	SPRING GUIDE		2			
033	162279-2	LEVER COMPLETE		2			
034	267353-2	FLAT WASHER 8		1			
035	423389-3	SPONGE 6X230X3		1	*		
035-1	423469-5	SPONGE 7X105X3	O	1	*		
035-2	423469-5	SPONGE 7X105X3	O	1			
036	424056-3	SPONGE SLEEVE 9		4			
037	213983-7	O RING 4		4			

038	318151-8	FOOT		4			
039	213983-7	O RING 4		4			
040	318484-1	BASE		1	*		
040-1	318484-1	BASE	X	1			
041	253807-5	FLAT WASHER 5		2	*		
041-1	253572-6	FLAT WASHER 5	<	2			
042	252103-8	HEX. LOCK NUT M5-8		2			
043	211228-7	BALL BEARING 6202DDW		1			
044	310301-1	BALANCER		1			
045	912222-9	COUNTERSUNK HEAD SCREW M5 X16		1			
046	213656-2	O RING 53		1			
047	140146-1	PAD COMPLETE		1	*		
047-1	140441-9	PAD COMPLETE	<	1			
048	911111-5	PAN HEAD SCREW M4X10 WITH W		4			
A01	135327-0	DUST BOX ASSEMBLY		1			
C10	168557-8	FILTER		1			
C20	232246-2	LEAF SPRING		2			
C30	424144-6	RUBBER SLEEVE		1			
C40	450769-0	DUST NOZZLE		1			
C50	450770-5	DUST BOX		1			
A02	451271-6	PUNCH PLATE		1			
A03	794563-3	ABRASIVE PAPER 93X228 #120		1	*		
A03-1	A-31267	ABRASIVE PAPER 93X228 #120	O	1			
F05	194947-9	PUNCH PLATE SET		1			
F17	195134-3	FILTER SET		1			

Please state Parts No. when your order.

Print Date 10/17/2023