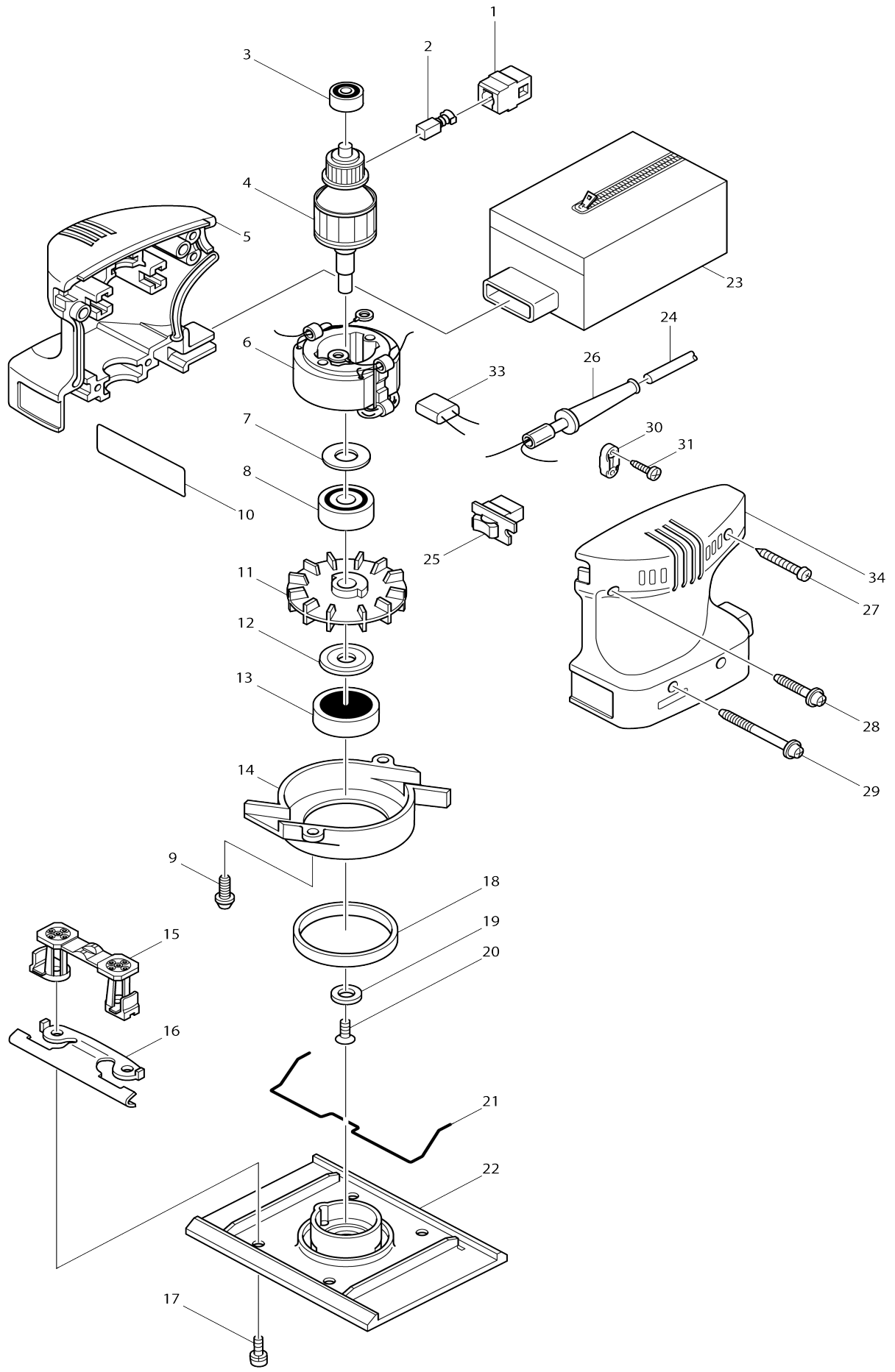


Model No. BO4553 FINISHING SANDER



Model No.BO4553 FINISHING SANDER

Item No.	Parts No.	Description	Interchangability	Q'ty	New/Old	Sales Price (€)	Purchase Price(€)	Note1	Note2
001	643552-4	BRUSH HOLDER 5-8		2					
002	191627-8	CARBON BRUSH CB-64		1	*				
002-1	194968-1	CARBON BRUSH SET CB-64	O	1					
003	211021-9	BALL BEARING 607LLB		1					
004B_	517083-8	ARMATURE ASS'Y 220V		1					
D10		INC. 3,7,8							
005	182777-0	HOUSING SET		1					
C10	263002-9	RUBBER PIN 4		2					
D10		INC. 34							
006A_	599319-7	FIELD ASS'Y 220V		1					
C10	654038-3	INSULATED TERMINAL FT1.25-M4		2	*				
007	253214-2	FLAT WASHER 9		1					
008	211092-6	BALL BEARING 629DDW		1					
009	265871-4	TAPPING SCREW BT 4X16		2					
010	858237-1	NAME PLATE BO4553		1					
011	241658-8	FAN 63		1					
012	213051-6	DUST SEAL 10		1					
013	211066-7	BALL BEARING 6200LLB		1					
014	410752-9	BAFFLE PLATE		1					
015	414312-9	FOOT		1	*				
015-1	410918-1	FOOT	O	2					
016	342986-5	CLAMPER		2					
017	911118-1	PAN HEAD SCREW M4X12		4					
018	262512-3	RUBBER SLEEVE 48		1	*				
019	253825-3	FLAT WASHER 6		1					
020	912117-6	COUNTERSUNK HEAD SCREW M4X12		1					
021	321869-2	LEVER		2					
022	151236-5	BASE COMPLETE		1	*				
C10	263002-9	RUBBER PIN 4		1	*				
022-1	154657-0	BASE COMPLETE	X	1					
C10	263002-9	RUBBER PIN 4		1					
D10		INC.18							
023	166027-1	DUST BAG		1	*				
024D_	666053-5	POWER SUPPLY CORD 1.0-2-2.0		1					
025-1	651518-0	SWITCH 8401K2	O	1	*				
025-2	651523-7	SWITCH WS107ADT-1	O	1	*				
025-3	651527-9	SWITCH	O	1					
026	682502-4	CORD GUARD 8-85		1					
027	265876-4	TAPPING SCREW BT 4X40		1					
028	265875-6	TAPPING SCREW BT 4X25		1					
029	265872-2	TAPPING SCREW BT 4X50		2					
030	687063-9	CORD CLAMP		1					
031-1	266121-0	TAPPING SCREW FLANGE PF 4X18		2	*				
031-2	265995-6	TAPPING SCREW 4X18	O	2					
032	654532-5	TERMINAL BLOCK 1P		1					

033	645118-6	NOISE SUPPRESSOR		1	*				
033-1	645142-9	NOISE SUPPRESSOR	O	1					
034	182777-0	HOUSING SET		1					
C10	263002-9	RUBBER PIN 4		2					
D10		INC. 5							
A01	163355-5	PUNCH PLATE		1	*				
A01-1	413094-0	PUNCH PLATE	O	1					
A02	193712-3	PAPER DUST BAG SET		1					
A03	193713-1	PAPER DUST BAG HOLDER SET		1	*				
A03-1	193932-9	PAPER DUST BAG HOLDER SET	<	1					
A04	193745-8	ADAPTER SET		1					

Please state Parts No. when your order.

Print Date 10/25/2023