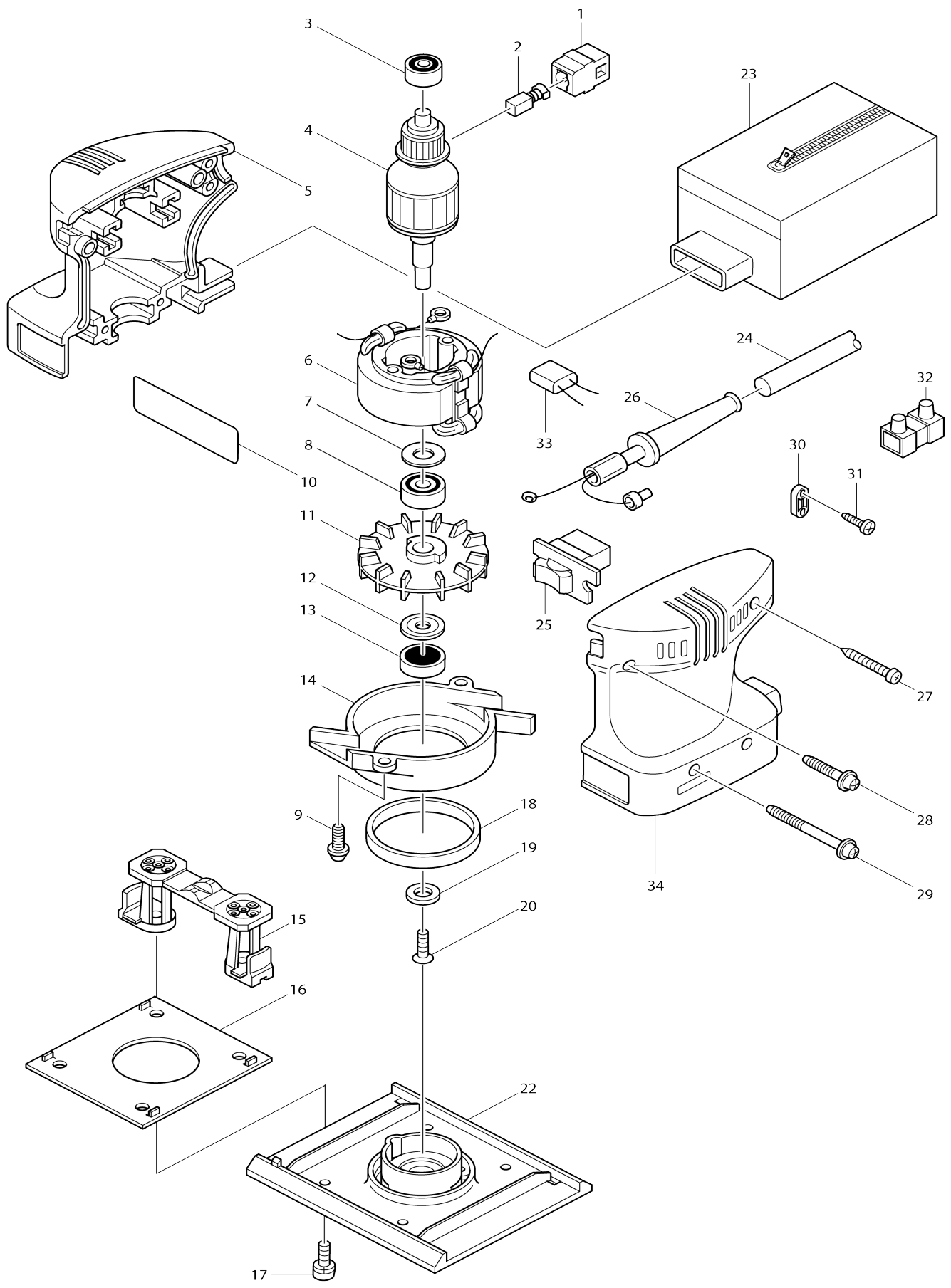


Model No. BO4554 FINISHING SANDER



Model No.BO4554 FINISHING SANDER

Item No.	Parts No.	Description	Interchangability	Q'ty	New/Old	Note1	Note2
001	643552-4	BRUSH HOLDER 5-8		2			
002	191627-8	CARBON BRUSH CB-64		1	*		
002-1	194968-1	CARBON BRUSH SET CB-64	O	1			
003	211021-9	BALL BEARING 607LLB		1			
004	517083-8	ARMATURE ASS'Y 220V		1			
D10		INC. 3,7,8					
005	182777-0	HOUSING SET		1			
C10	263002-9	RUBBER PIN 4		2			
D10		INC. 34					
006	599319-7	FIELD ASS'Y 220V		1			
C10	654038-3	INSULATED TERMINAL FT1.25-M4		2	*		
007	253214-2	FLAT WASHER 9		1			
008	211092-6	BALL BEARING 629DDW		1			
009	265871-4	TAPPING SCREW BT 4X16		2			
010	858220-8	NAME PLATE BO4554		1			
011	241658-8	FAN 63		1			
012	213051-6	DUST SEAL 10		1			
013	211066-7	BALL BEARING 6200LLB		1			
014	410752-9	BAFFLE PLATE		1			
015	414312-9	FOOT		2	*		
015-1	410918-1	FOOT	O	2			
016	344100-9	PLATE 85		2			
017	911118-1	PAN HEAD SCREW M4X12		4			
018	262512-3	RUBBER SLEEVE 48		1			
019	253825-3	FLAT WASHER 6		1			
020	912117-6	COUNTERSUNK HEAD SCREW M4X12		1			
022	151404-0	BASE COMPLETE		1			
C10	263002-9	RUBBER PIN 4		1			
023	166027-1	DUST BAG		1	*		
024A_	666053-5	POWER SUPPLY CORD 1.0-2-2.0		1			
025	651606-3	SWITCH SS106A-7		1	*		
025-1	651518-0	SWITCH 8401K2	O	1	*		
025-2	651523-7	SWITCH WS107ADT-1	O	1	*		
025-3	651527-9	SWITCH	O	1			
026	682502-4	CORD GUARD 8-85		1			
027	265876-4	TAPPING SCREW BT 4X40		1			
028	265875-6	TAPPING SCREW BT 4X25		1			
029	265872-2	TAPPING SCREW BT 4X50		2			
030	687063-9	CORD CLAMP		1			
031-1	266121-0	TAPPING SCREW FLANGE PF 4X18		2	*		
031-2	265995-6	TAPPING SCREW 4X18	O	2			
032	654532-5	TERMINAL BLOCK 1P		1			
033	645118-6	NOISE SUPPRESSOR		1	*		
033-1	645142-9	NOISE SUPPRESSOR	O	1			
034	182777-0	HOUSING SET		1			

C10	263002-9	RUBBER PIN 4		2		
D10		INC. 5				
A01	192352-4	ABRASIVE PAPER SET		1		
A02	193712-3	PAPER DUST BAG SET		1		
A03	193713-1	PAPER DUST BAG HOLDER SET		1	*	
A03-1	193932-9	PAPER DUST BAG HOLDER SET	<	1		
A04	193745-8	ADAPTER SET		1		

Please state Parts No. when your order.

Print Date 10/25/2023