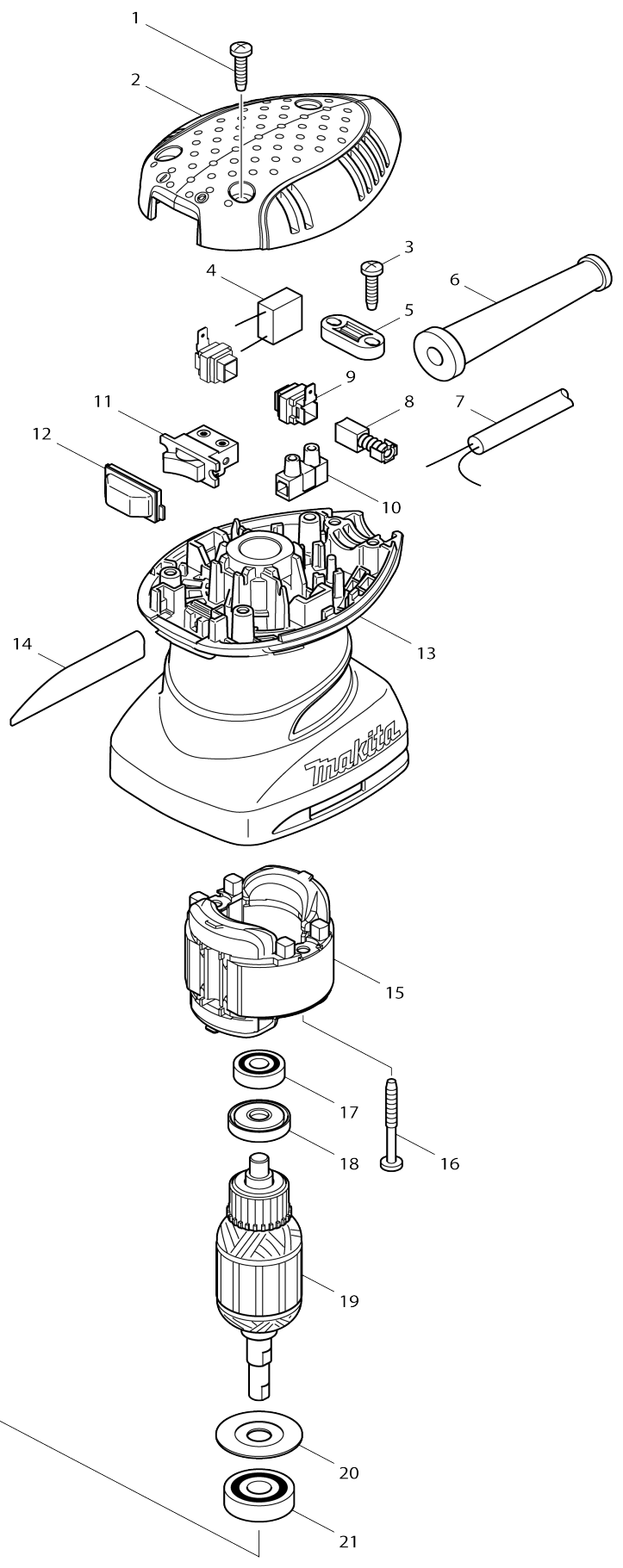
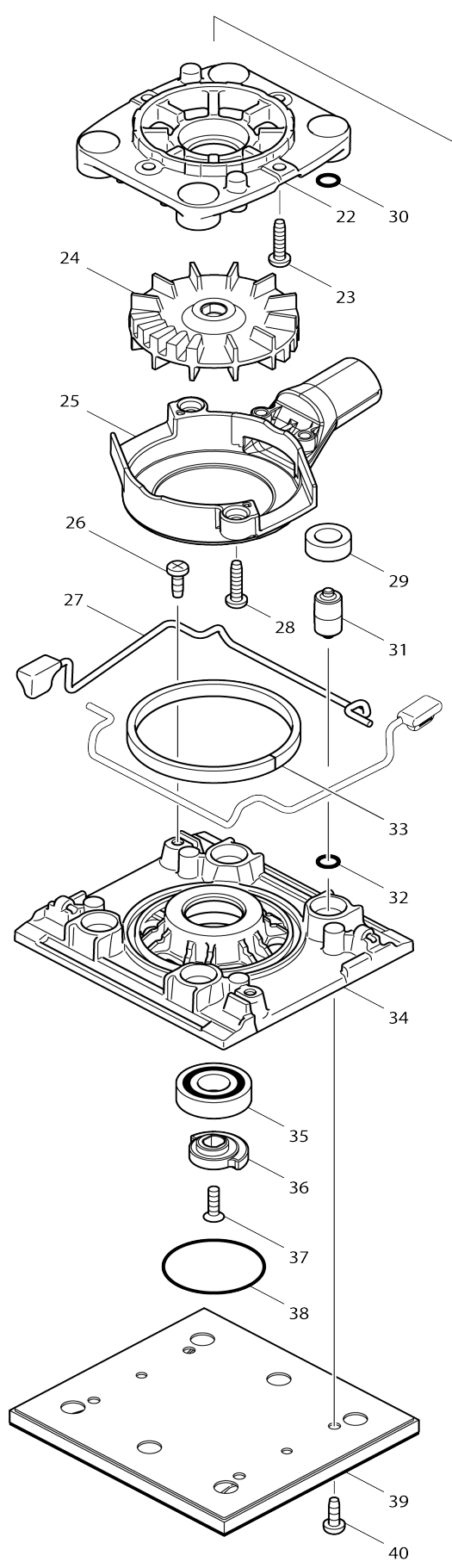


Model No. BO4555 FINISHING SANDER



Model No.BO4555 FINISHING SANDER

Item No.	Parts No.	Description	Interchangability	Q'ty	New/Old	Note1	Note2
001	265995-6	TAPPING SCREW 4X18		3			
002	450071-1	TOP COVER		1			
003	265995-6	TAPPING SCREW 4X18		2			
004	645105-5	NOISE SUPPRESSOR		1			
005	687124-5	STRAIN RELIEF		1			
006	682569-2	CORD GUARD 8-85		1			
007	665383-1	POWER SUPPLY CORD 1.0-2-2.0		1			
008	191962-4	CARBON BRUSH CB-419		1	*		
008-1	195015-1	CARBON BRUSH SET CB-419	O	1			
009	643995-0	BRUSH HOLDER		2			
010	654532-5	TERMINAL BLOCK 1P		1			
011	651527-9	SWITCH		1			
012	424039-3	SWITCH COVER		1			
013	450072-9	MOTOR HOUSING		1			
014	863728-9	BO4555 NAME PLATE		1			
015	593649-8	FIELD ASS'Y 240V		1	*		
C10	654069-2	RECEPTACLE		2	*		
015-1	593649-8	FIELD ASS'Y 240V	O	1			
C10	654069-2	RECEPTACLE		2	*		
C11	654086-2	RECEPTACLE	O	2			
016	266048-4	TAPPING SCREW 4X40		2			
017	210034-7	BALL BEARING 607LLB		1	*		
017-1	210062-2	BALL BEARING 607ZZ	O	1	*		
017-2	210293-3	BALL BEARING 607ZZ	O	1			
018	681652-2	INSULATION WASHER		1			
019	515708-8	ARMATURE ASS'Y 220-240V		1	*		
D10		INC. 17,18,20,21					
019-1	510558-6	ARMATURE ASS'Y 220-240V	O	1			
D10		INC. 17,18,20,21					
020	267806-1	WASHER 9		1			
021	211092-6	BALL BEARING 629DDW		1			
022	450070-3	BEARING BOX		1			
023	265995-6	TAPPING SCREW 4X18		4			
024	241671-6	FAN 63		1			
025	450069-8	FAN GUIDE		1			
026	266020-6	TAPPING SCREW 4X12		2			
027	162259-8	LEVER COMPLETE		2			
028	265995-6	TAPPING SCREW 4X18		2			
029	424023-8	SPONGE SLEEVE 9		4			
030	213983-7	O RING 4		4			
031	318151-8	FOOT		4			
032	213983-7	O RING 4		4			
033	424038-5	SPONGE 6X185X3		1	*		
033-1	424684-4	SPONGE 7X87X3	O	1	*		
033-2	424684-4	SPONGE 7X87X3	O	1			
034	450067-2	BASE		1	*		
034-1	450067-2	BASE	<	1			

035	211131-2	BALL BEARING 6001DDW		1		
036	313141-6	BALANCER		1		
037	912117-6	COUNTERSUNK HEAD SCREW M4 X12		1		
038	213510-0	O RING 36		1		
039	158323-1	PAD COMPLETE		1		
040	266020-6	TAPPING SCREW 4X12		4		
A01	193932-9	PAPER DUST BAG HOLDER SET		1	*	
A01-1	135246-0	DUST BOX ASSEMBLY	S	1		
C10	232246-2	LEAF SPRING		2		
C20	424144-6	RUBBER SLEEVE		1		
C30	450769-0	DUST NOZZLE		1		
C40	450770-5	DUST BOX		1		
A02	193712-3	PAPER DUST BAG SET		1	*	
A02-1	194746-9	PAPER DUST BAG SET	S	1		
A03	192352-4	ABRASIVE PAPER SET		1		
A04	450066-4	PUNCH PLATE		1		
F13	195134-3	FILTER SET		1		
A05	824806-0	PLASTIC CARRYING CASE		1		
C10	163455-1	LATCH		2		
C20	419360-3	HANDLE		1		
A06	805617-2	BO4555K MODEL NO. LABEL		1		

Please state Parts No. when your order.

Print Date 11/16/2023