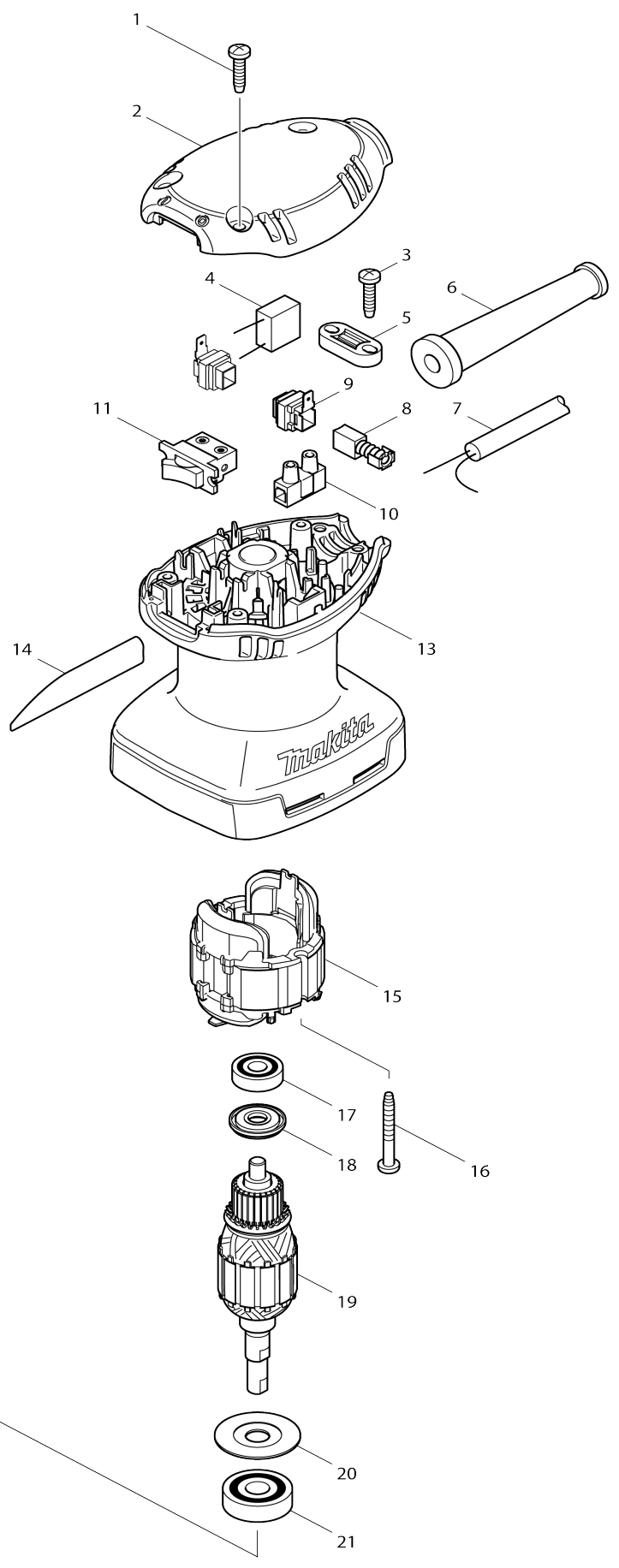
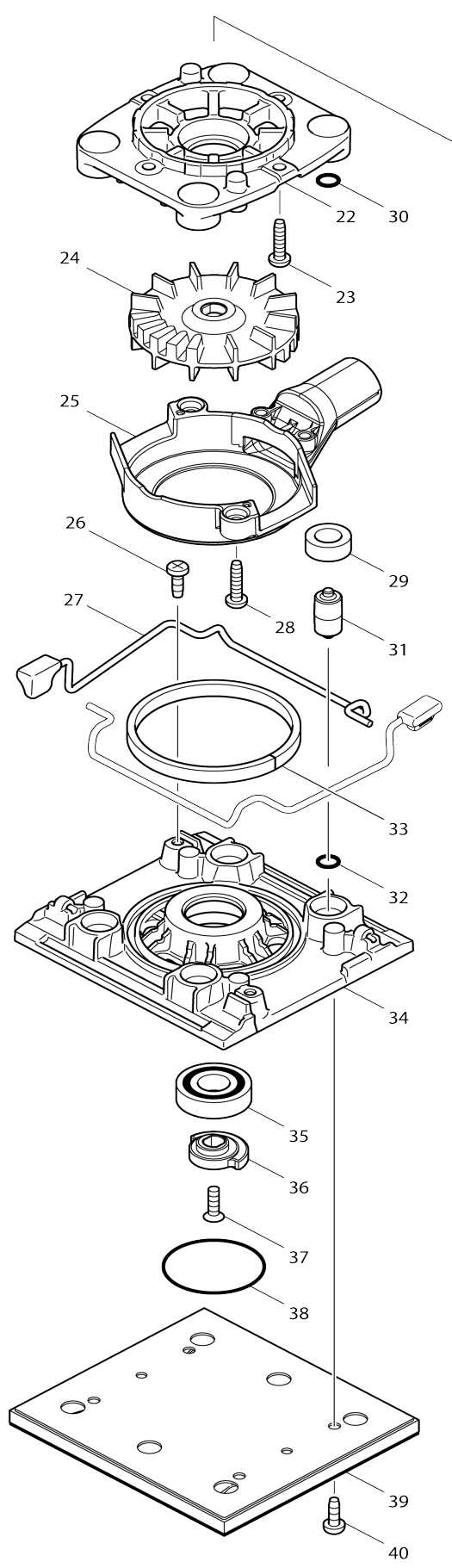


Model No. BO4557 FINISHING SANDER



Model No.BO4557 FINISHING SANDER

Item No.	Parts No.	Description	Interchangability	Q'ty	New/Old	Note1	Note2
001	266326-2	TAPPING SCREW 4X18		3			
002	419916-2	TOP COVER		1			
003	266326-2	TAPPING SCREW 4X18		2			
004	645185-1	NOISE SUPPRESSOR		1			
005	687124-5	STRAIN RELIEF		1			
006	682569-2	CORD GUARD 8-85		1			
007	665383-1	POWER SUPPLY CORD 1.0-2-2.0		1			
008	191962-4	CARBON BRUSH CB-419		1	*		
008-1	195015-1	CARBON BRUSH SET CB-419	O	1			
009	643995-0	BRUSH HOLDER		2			
010	654532-5	TERMINAL BLOCK 1P		1			
011	651527-9	SWITCH		1			
013	450463-4	MOTOR HOUSING		1			
014	864750-9	BO4557 NAME PLATE		1			
015	635099-2	FIELD 240V		1			
016	266351-3	TAPPING SCREW 4X35		2			
017	210028-2	BALL BEARING 606ZZ		1			
018	681661-1	INSULATION WASHER		1	*		
018-1	681675-0	INSULATION WASHER	O	1			
019	517639-7	ARMATURE ASS'Y 240V		1	*		
D10		INC. 17,18,20,21					
019-1	510265-1	ARMATURE ASS'Y 240V	O	1			
D10		INC. 17,18,20,21					
020	267806-1	WASHER 9		1	*		
020-1	267130-2	FLAT WASHER 9	<	1			
021	211092-6	BALL BEARING 629DDW		1			
022	450464-2	BEARING BOX		1			
023	266326-2	TAPPING SCREW 4X18		4			
024	241671-6	FAN 63		1			
025	450069-8	FAN GUIDE		1			
026	266020-6	TAPPING SCREW 4X12		2			
027	162259-8	LEVER COMPLETE		2			
028	266326-2	TAPPING SCREW 4X18		2			
029	424023-8	SPONGE SLEEVE 9		4			
030	213983-7	O RING 4		4			
031	318151-8	FOOT		4			
032	213983-7	O RING 4		4			
033	424038-5	SPONGE 6X185X3		1	*		
033-1	424684-4	SPONGE 7X87X3	O	1	*		
033-2	424684-4	SPONGE 7X87X3	O	1			
034	450067-2	BASE		1	*		
034-1	450067-2	BASE	<	1			
035	211131-2	BALL BEARING 6001DDW		1			
036	313141-6	BALANCER		1			
037	912117-6	COUNTERSUNK HEAD SCREW M4 X12		1			
038	213510-0	O RING 36		1			
039	158324-9	PAD COMPLETE		1			

040	266020-6	TAPPING SCREW 4X12		4			
A01	193932-9	PAPER DUST BAG HOLDER SET		1	*		
A01-1	135246-0	DUST BOX ASSEMBLY	S	1			
C10	232246-2	LEAF SPRING		2			
C20	424144-6	RUBBER SLEEVE		1			
C30	450769-0	DUST NOZZLE		1			
C40	450770-5	DUST BOX		1			
A02	193712-3	PAPER DUST BAG SET		1	*		
A02-1	194746-9	PAPER DUST BAG SET	S	1			
A03	450066-4	PUNCH PLATE		1			
A04	794296-0	ABRASIVE PAPER SET 114X100		1			
F11	195134-3	FILTER SET		1			
A05	824806-0	PLASTIC CARRYING CASE		1			
C10	163455-1	LATCH		2			
C20	419360-3	HANDLE		1			
A06	806746-4	BO4557K MODEL NO.LABEL		1			

Please state Parts No. when your order.

Print Date 11/16/2023