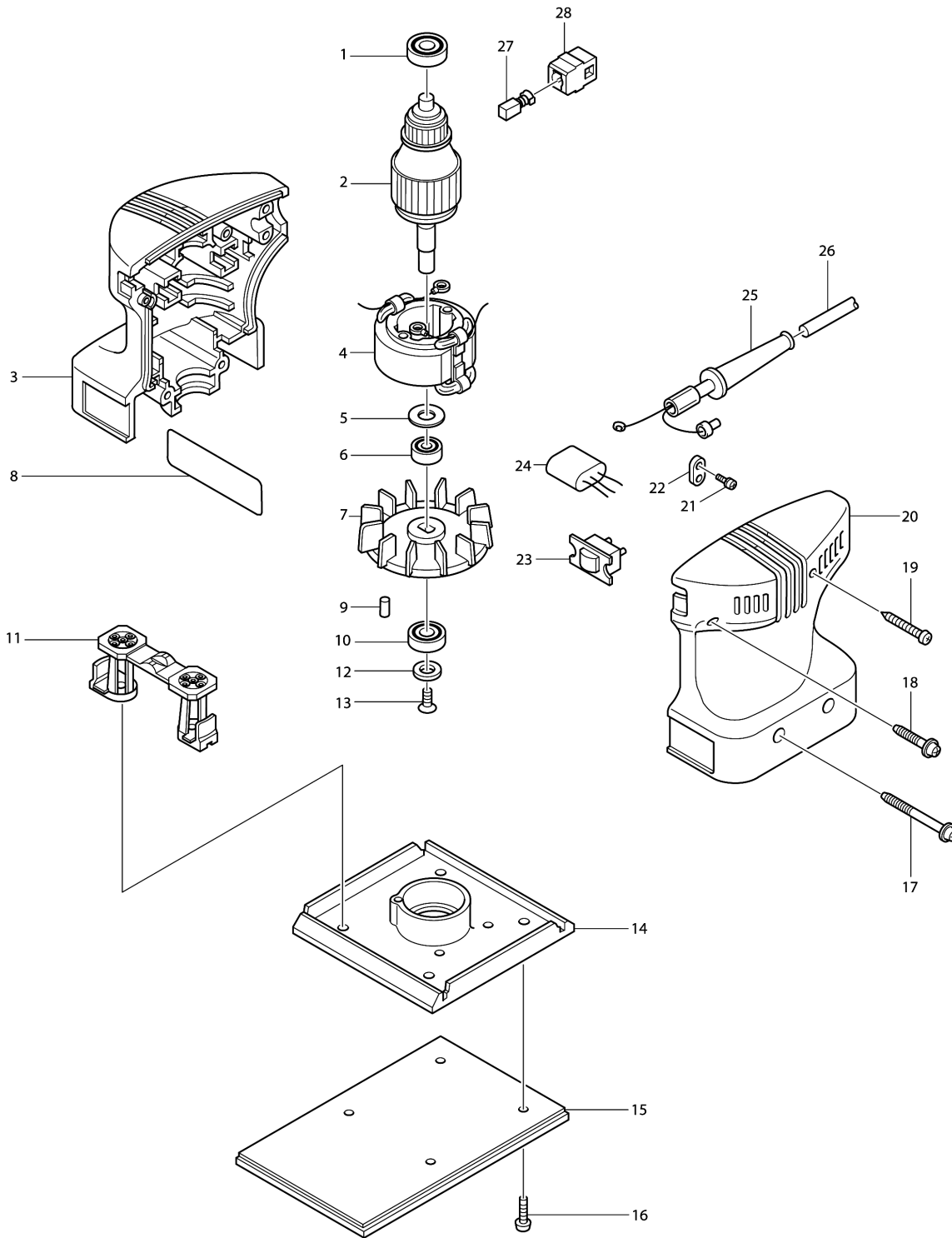


Model No.BO4560 FINISHING SANDER



Model No.BO4560 FINISHING SANDER

Item	Parts No.	Description	I/C	Qty	New/Old	Opt. 1	Opt. 2	Note
001	211016-2	BALL BEARING 626LLB		1				
002G1	511548-2	ARMATURE ASS'Y 220V		1				
D11		INC. 1,5,6						
003	181956-7	HOUSING SET		1	*			
D10		INC. 20			*			
003-1	182630-0	HOUSING SET	O	1				
D10		INC. 20						
004F_	599300-8	FIELD ASS'Y 220V		1				
005	253214-2	FLAT WASHER 9		1				
006-1	211092-6	BALL BEARING 629DDW		1				
007	241653-8	FAN 65		1	*			
007-1	241666-9	FAN 65	<	1				
008A_	856273-1	NAME PLATE BO4560		1				
009	263002-9	RUBBER PIN 4		1	*			
010	211066-7	BALL BEARING 6200LLB		1				
011	410918-1	FOOT		2				
012	253825-3	FLAT WASHER 6		1				
013	912112-6	COUNTERSUNK HEAD SCREW M4X10		1				
014	152336-4	BASE COMPLETE		1	*			
014-1	414338-1	BASE	O	1				
015	150067-9	RUBBER PAD 85-160 COMPLETE		1				
C10	743043-6	RUBBER PAD 85-160		1				
016	915116-7	BINDING HEAD SCREW M4X12		4				
017	265872-2	TAPPING SCREW BT 4X50		2				
018	265875-6	TAPPING SCREW BT 4X25		1				
019	265876-4	TAPPING SCREW BT 4X40		1				
020	181956-7	HOUSING SET		1	*			
D10		INC. 3			*			
020-1	182630-0	HOUSING SET	O	1				
D10		INC. 3						
021	911133-5	PAN HEAD SCREW M4X18		2				
022	687001-1	STRAIN RELIEF		1				
023A_	651600-5	SWITCH SS106A		1				
024C_	645209-3	NOISE SUPPRESSOR		1				
025	682502-4	CORD GUARD 8-85		1				
026K_	666053-5	POWER SUPPLY CORD 1.0-2-2.0		1				
027C_	191627-8	CARBON BRUSH CB-64		1	*			
027C1	194968-1	CARBON BRUSH SET CB-64	O	1				
028	643552-4	BRUSH HOLDER 5-8		2				
400A_	794391-6	ABRASIVE PAPER 87X160 #WA60		1	*			
400B_	794392-4	ABRASIVE PAPER 87X160 #WA100		1	*			
400C_	794393-2	ABRASIVE PAPER 87X160 #WA150		1	*			

Please order the parts with part number.

Print Date 25/10/2023