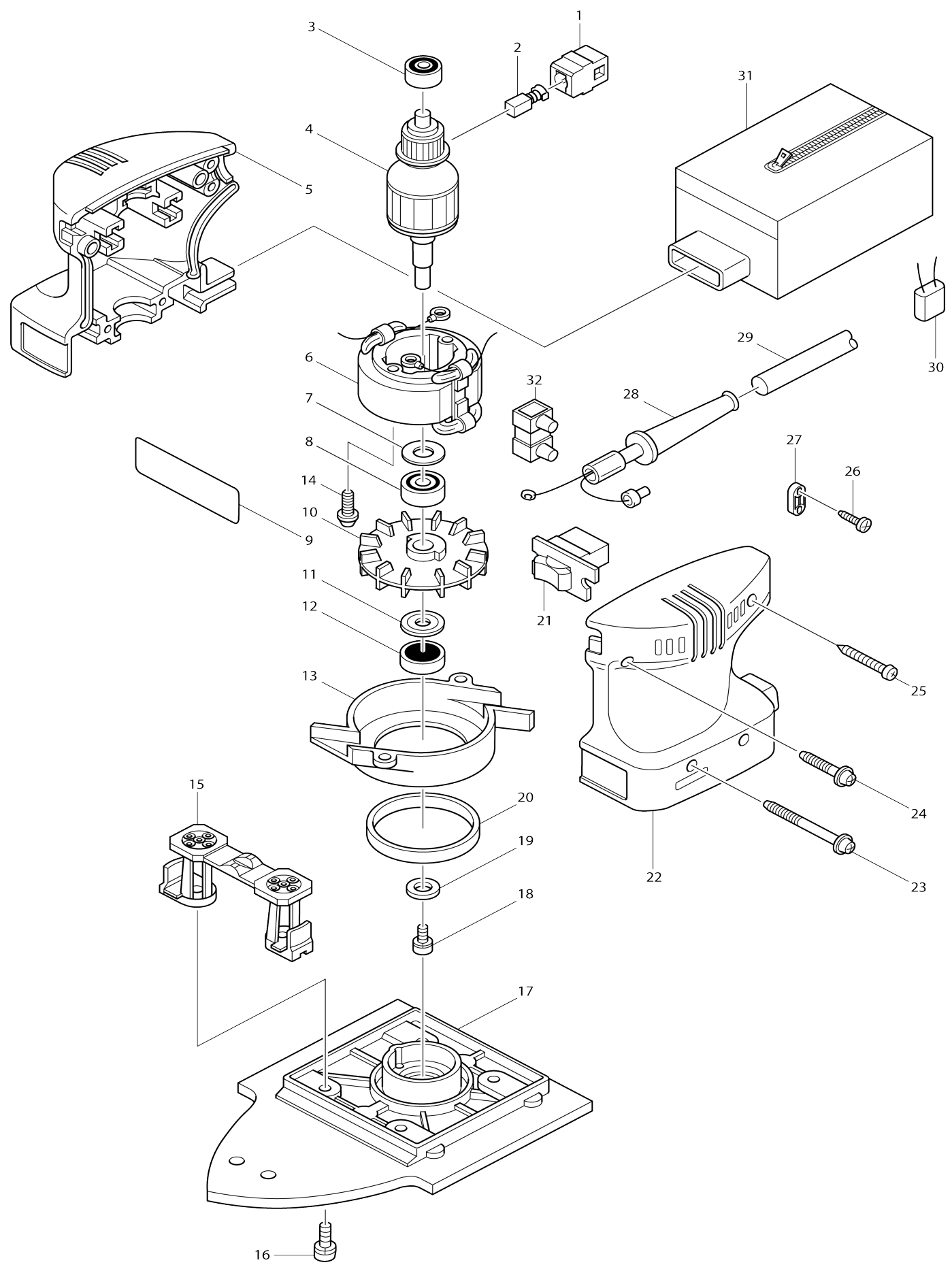


# Model No. BO4561 FINISHING SANDER



Model No.BO4561 FINISHING SANDER

| Item No. | Parts No. | Description                  | Interchangability | Q'ty | New/Old | Note1 | Note2 |
|----------|-----------|------------------------------|-------------------|------|---------|-------|-------|
| 001      | 643552-4  | BRUSH HOLDER 5-8             |                   | 2    |         |       |       |
| 002      | 191627-8  | CARBON BRUSH CB-64           |                   | 1    | *       |       |       |
| 002-1    | 194968-1  | CARBON BRUSH SET CB-64       | O                 | 1    |         |       |       |
| 003      | 211021-9  | BALL BEARING 607LLB          |                   | 1    |         |       |       |
| 004A_    | 517083-8  | ARMATURE ASS'Y 220V          |                   | 1    |         |       |       |
| D10      |           | INC. 3,7,8                   |                   |      |         |       |       |
| 005      | 182777-0  | HOUSING SET                  |                   | 1    |         |       |       |
| C10      | 263002-9  | RUBBER PIN 4                 |                   | 2    |         |       |       |
| D10      |           | INC. 22                      |                   |      |         |       |       |
| 006A_    | 599319-7  | FIELD ASS'Y 220V             |                   | 1    |         |       |       |
| C10      | 654038-3  | INSULATED TERMINAL FT1.25-M4 |                   | 2    | *       |       |       |
| 007      | 253214-2  | FLAT WASHER 9                |                   | 1    |         |       |       |
| 008      | 211092-6  | BALL BEARING 629DDW          |                   | 1    |         |       |       |
| 009      | 858238-9  | NAME PLATE BO4561            |                   | 1    |         |       |       |
| 010      | 241658-8  | FAN 63                       |                   | 1    |         |       |       |
| 011      | 213051-6  | DUST SEAL 10                 |                   | 1    |         |       |       |
| 012      | 211066-7  | BALL BEARING 6200LLB         |                   | 1    |         |       |       |
| 013      | 410752-9  | BAFFLE PLATE                 |                   | 1    |         |       |       |
| 014      | 265871-4  | TAPPING SCREW BT 4X16        |                   | 2    |         |       |       |
| 015      | 414312-9  | FOOT                         |                   | 2    | *       |       |       |
| 015-1    | 410918-1  | FOOT                         | O                 | 2    |         |       |       |
| 016      | 911118-1  | PAN HEAD SCREW M4X12         |                   | 4    |         |       |       |
| 017      | 152478-4  | BASE COMPLETE                |                   | 1    |         |       |       |
| C10      | 263002-9  | RUBBER PIN 4                 |                   | 1    |         |       |       |
| D10      |           | INC. 20                      |                   |      |         |       |       |
| 018      | 912117-6  | COUNTERSUNK HEAD SCREW M4X12 |                   | 1    |         |       |       |
| 019      | 253825-3  | FLAT WASHER 6                |                   | 1    |         |       |       |
| 020      | 262512-3  | RUBBER SLEEVE 48             |                   | 1    |         |       |       |
| 021      | 651606-3  | SWITCH SS106A-7              |                   | 1    | *       |       |       |
| 021-1    | 651518-0  | SWITCH 8401K2                | O                 | 1    | *       |       |       |
| 021-2    | 651523-7  | SWITCH WS107ADT-1            | O                 | 1    | *       |       |       |
| 021-3    | 651527-9  | SWITCH                       | O                 | 1    |         |       |       |
| 022      | 182777-0  | HOUSING SET                  |                   | 1    |         |       |       |
| C10      | 263002-9  | RUBBER PIN 4                 |                   | 2    |         |       |       |
| D10      |           | INC. 5                       |                   |      |         |       |       |
| 023      | 265872-2  | TAPPING SCREW BT 4X50        |                   | 2    |         |       |       |
| 024      | 265875-6  | TAPPING SCREW BT 4X25        |                   | 1    |         |       |       |
| 025      | 265876-4  | TAPPING SCREW BT 4X40        |                   | 1    |         |       |       |
| 026      | 266121-0  | TAPPING SCREW FLANGE PF 4X18 |                   | 2    | *       |       |       |
| 026-1    | 265995-6  | TAPPING SCREW 4X18           | O                 | 2    |         |       |       |
| 027A_    | 687063-9  | CORD CLAMP                   |                   | 1    |         |       |       |
| 028      | 682502-4  | CORD GUARD 8-85              |                   | 1    |         |       |       |
| 029B1    | 666053-5  | POWER SUPPLY CORD 1.0-2-2.0  |                   | 1    |         |       |       |
| 030      | 645118-6  | NOISE SUPPRESSOR             |                   | 1    | *       |       |       |
| 030-1    | 645142-9  | NOISE SUPPRESSOR             | O                 | 1    |         |       |       |

|       |          |                           |   |   |   |  |  |
|-------|----------|---------------------------|---|---|---|--|--|
| 031   | 166027-1 | DUST BAG                  |   | 1 | * |  |  |
| 032   | 654532-5 | TERMINAL BLOCK 1P         |   | 1 |   |  |  |
| A01   | 192352-4 | ABRASIVE PAPER SET        |   | 1 |   |  |  |
| A02   | 192655-6 | ABRASIVE PAPER SET        |   | 1 |   |  |  |
| A03   | 193712-3 | PAPER DUST BAG SET        |   | 1 |   |  |  |
| A04   | 193713-1 | PAPER DUST BAG HOLDER SET |   | 1 | * |  |  |
| A04-1 | 193932-9 | PAPER DUST BAG HOLDER SET | < | 1 |   |  |  |
| A05   | 193745-8 | ADAPTER SET               |   | 1 |   |  |  |

Please state Parts No. when your order.

Print Date 10/25/2023