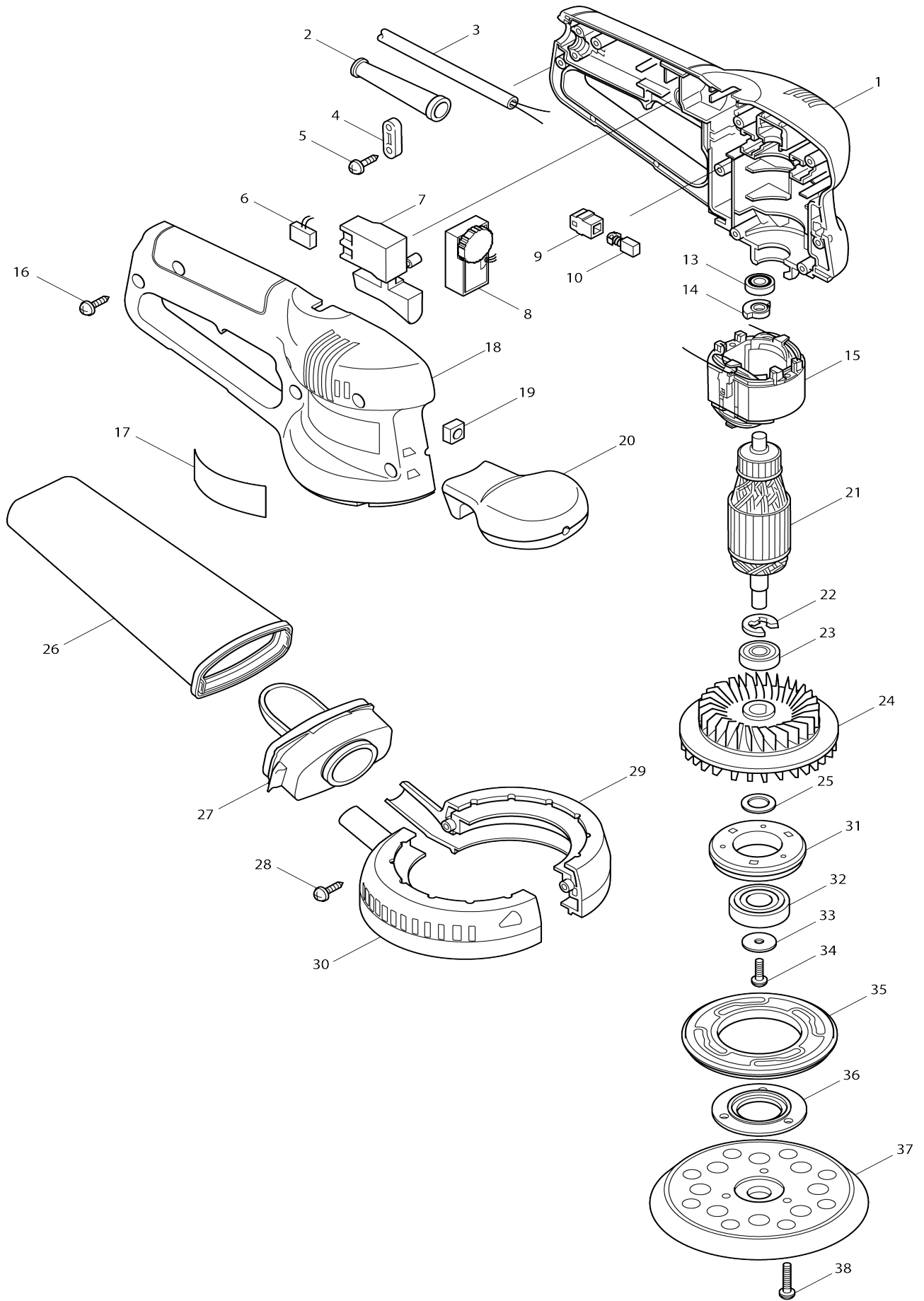


# Model No. BO5021 125MM RANDOM ORBIT SANDER



Model No.BO5021 125MM RANDOM ORBIT SANDER

Item No.	Parts No.	Description	Interchangability	Q'ty	New/Old	Note1	Note2
001	183108-6	HOUSING SET		1			
C10	263002-9	RUBBER PIN 4		2			
D10		INC. 18					
002	682502-4	CORD GUARD 8-85		1			
003G_	665394-6	POWER SUPPLY CORD 1.0-2-2.5		1			
004A_	687052-4	STRAIN RELIEF		1			
005	265995-6	TAPPING SCREW 4X18		2	*		
005-1	265A48-7	TAPPING SCREW 4X18	O	2			
006	645006-7	NOISE SUPPRESSOR		1			
007	651286-5	SWITCH SGEL206C-5		1	*		
007-1	651286-5	SWITCH SGEL206C-5	O	1			
008	631352-4	CONTROLLER		1			
009	643552-4	BRUSH HOLDER 5-8		2			
010	191627-8	CARBON BRUSH CB-64		1	*		
010-1	194968-1	CARBON BRUSH SET CB-64	O	1			
013	210017-7	BALL BEARING 607DDW		1			
014	313080-0	COUNTER WEIGHT		1			
015	633433-0	FIELD 220-240V		1			
016	265995-6	TAPPING SCREW 4X18		8	*		
016-1	265A48-7	TAPPING SCREW 4X18	O	8			
017	851742-7	NAME PLATE BO5021		1			
018	183108-6	HOUSING SET		1			
C10	263002-9	RUBBER PIN 4		2			
D10		INC. 1					
019	252045-6	SQUARE NUT M5		1			
020	168324-1	FRONT GRIP		1			
021	517233-5	ARMATURE ASS'Y 220-240V		1			
D10		INC. 13,14,22,23					
022	961015-1	STOP RING E-9		1			
023	210020-8	BALL BEARING 600LLU		1			
024	241896-2	FAN 88		1			
025	253315-6	THIN WASHER 15		1			
026	151517-7	DUST BAG COMPLETE		1	*		
027	151518-5	DUST NOZZLE COMPLETE		1	*		
028	265995-6	TAPPING SCREW 4X18		2	*		
028-1	265A48-7	TAPPING SCREW 4X18	O	2			
029	183088-6	SKIRT SET		1			
D10		INC. 30					
030	183088-6	SKIRT SET		1			
D10		INC. 29					
031	316835-2	BEARING BOX		1			
032	211227-9	BALL BEARING 6002DDW		1	*		
032-1	211236-8	BALL BEARING 6002DDW	X	1			
033	253739-6	FLAT WASHER 4		1			
034	911116-5	PAN HEAD SCREW M4X12		1			
035	416062-2	BRAKE RING		1	*		
035-1	421866-9	BRAKE RING	O	1			

036	316834-4	BEARING BOX COVER		1		
037	743051-7	PAD 123		1	*	
037-1	743081-8	PAD 123	<	1	*	
037-2	743051-7	PAD 123	<	1	*	
037-3	743081-8	PAD 123	<	1		
038	911128-8	P.H.SCREW M4X16 WITH WR		3		
A01	794544-7	ABRASIVE DISC 125 #120		1		
A04	193293-7	PAPER DUST BAG		1		
A05	193294-5	PAPER DUST BAG HOLDER		1		
F02	192349-3	JOINT 25		1		
F10-1	196152-4	FELT PAD SET	O	1		
F13	197468-0	PAD 123 SET(EU)		1		
A02	824562-2	PLASTIC CARRYING CASE		1	*	
C10	416661-0	LATCH		2	*	
A02-1	183782-0	PLASTIC CARRYING CASE	O	1	*	
C10	416661-0	LATCH		2	*	
C20	819144-3	MAKITA LOGO LABEL		1	*	
A02-2	824562-2	PLASTIC CARRYING CASE	O	1		
C10	416661-0	LATCH		2		

Please state Parts No. when your order.

Print Date 10/25/2023