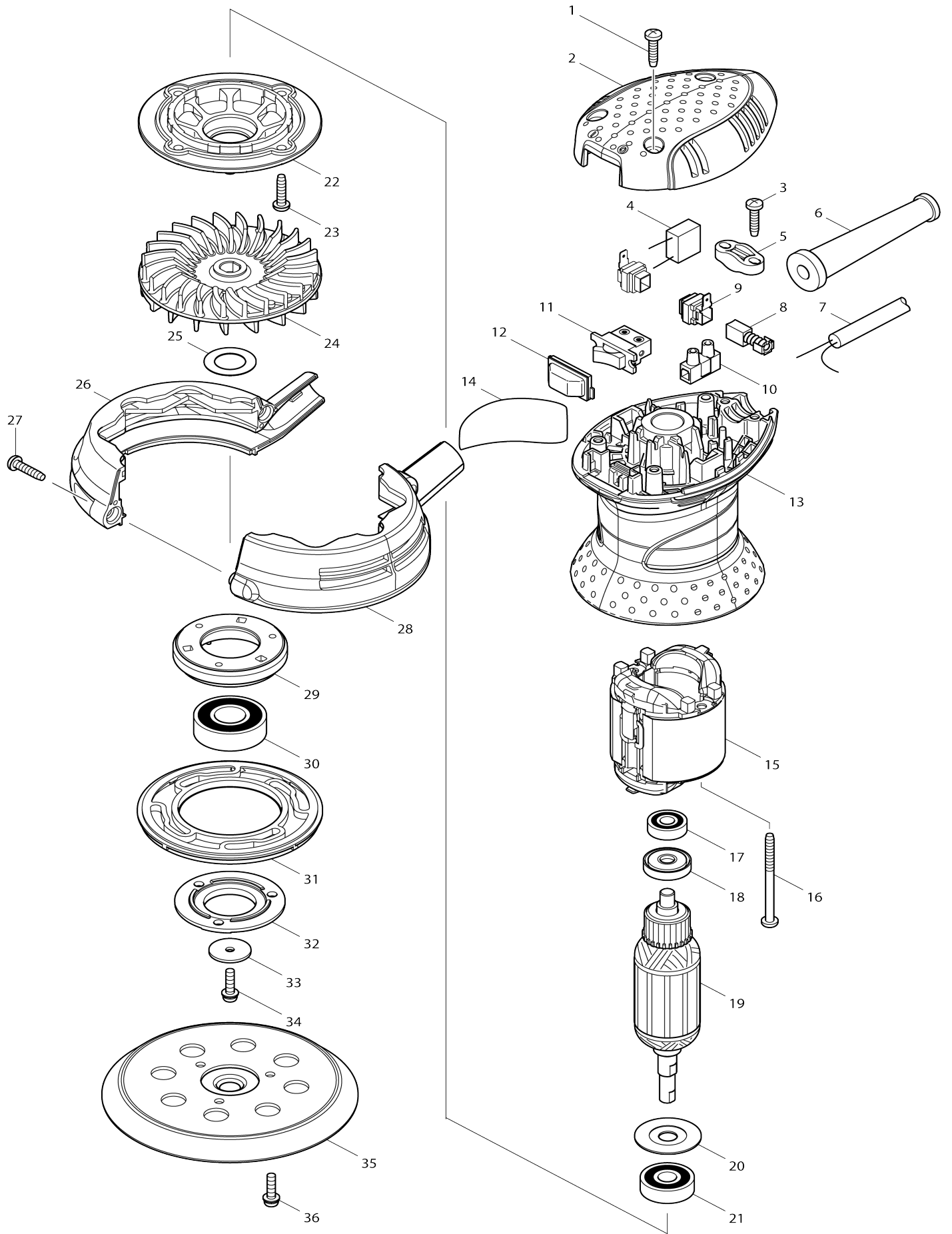


Model No. BO5030 RANDOM ORBIT SANDER



Model No.BO5030 RANDOM ORBIT SANDER

Item No.	Parts No.	Description	Interchangeability	Q'ty	New/Old	Note1	Note2
001	265995-6	TAPPING SCREW 4X18		3	*		
001-1	265A48-7	TAPPING SCREW 4X18	O	3			
002	450071-1	TOP COVER		1			
003	265995-6	TAPPING SCREW 4X18		2	*		
003-1	265A48-7	TAPPING SCREW 4X18	O	2			
004	645105-5	NOISE SUPPRESSOR		1			
005	687052-4	STRAIN RELIEF		1			
006	682502-4	CORD GUARD 8-85		1			
007	665383-1	POWER SUPPLY CORD 1.0-2-2.0		1			
008	191962-4	CARBON BRUSH CB-419		1			
009	643995-0	BRUSH HOLDER		2			
010	654532-5	TERMINAL BLOCK 1P		1			
011	651527-9	SWITCH		1			
012	424039-3	SWITCH COVER		1			
013	450671-7	Motor housing (blue)		1			
014	865589-3	Name plate BO5030		1			
015	633674-8	Field 240V		1			
016	266147-2	TAPPING SCREW 4X55		2	*		
016-1	266415-3	TAPPING SCREW 4X55	O	2			
017	210017-7	BALL BEARING 607DDW		1			
018	681652-2	INSULATION WASHER		1			
019	515734-7	ARMATURE ASS'Y 240V		1			
D10		INC. 17,18,20,21					
020	267806-1	WASHER 9		1			
021	211092-6	BALL BEARING 629DDW		1			
022	450672-5	BRACKET		1			
023	265995-6	TAPPING SCREW 4X18		4	*		
023-1	265A48-7	TAPPING SCREW 4X18	O	4			
024	241673-2	FAN 88		1			
025	267164-5	FLAT WASHER 15		1			
026	188579-2	Skirt set L/R (blue)		1			
D10		INC. 28					
027	265995-6	TAPPING SCREW 4X18		2	*		
027-1	265A48-7	TAPPING SCREW 4X18	O	2			
028	188579-2	Skirt set L/R (blue)		1			
D10		INC. 26					
029	318304-9	BEARING BOX		1			
030	211228-7	BALL BEARING 6202DDW		1			
031	424131-5	BRAKE RING		1			
032	318303-1	BEARING BOX COVER		1			
033	253739-6	FLAT WASHER 4		1			
034	911128-8	P.H.SCREW M4X16 WITH WR		1			
035	743081-8	PAD 123		1			
036	911128-8	P.H.SCREW M4X16 WITH WR		3			
A01	135246-0	DUST BOX ASSEMBLY		1			
D10		INC. A02-A05					
A02	450770-5	DUST BOX		1			

A03	450769-0	DUST NOZZLE		1		
A04	424144-6	RUBBER SLEEVE		1		
A05	232246-2	LEAF SPRING		2		
A06	794544-7	ABRASIVE DISC 125 #120		1		
A07	183782-0	PLASTIC CARRYING CASE		1	*	
C10	416661-0	LATCH		2	*	
C20	819144-3	MAKITA LOGO LABEL		1	*	
A07-1	824562-2	PLASTIC CARRYING CASE	O	1		
C10	416661-0	LATCH		2		
A08	807739-4	Plastic case label BO5030K		1		

Please state Parts No. when your order.

Print Date 10/16/2023