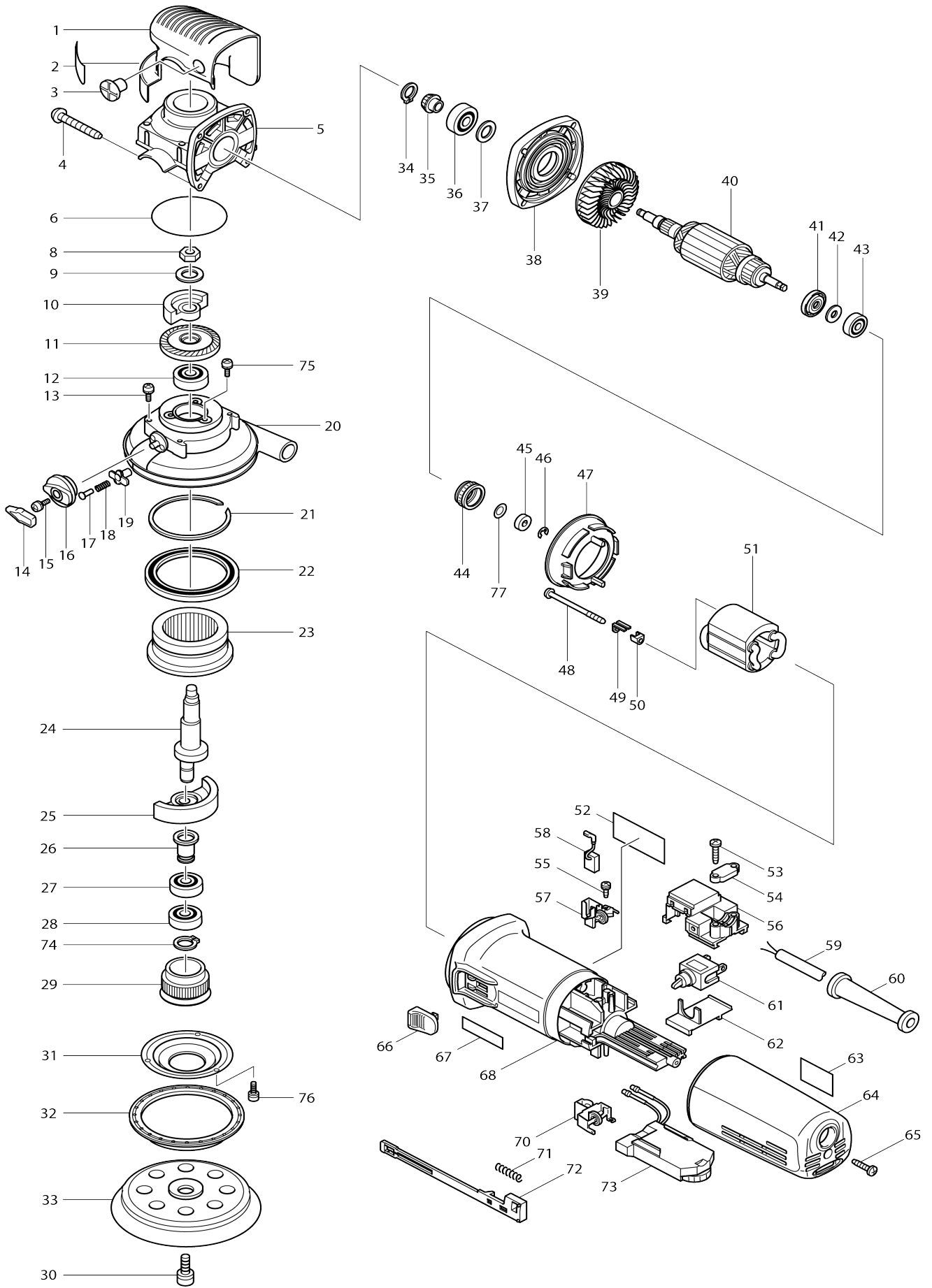


# Model No. BO6040 RANDOM ORBIT SANDER 150MM



Model No.BO6040 RANDOM ORBIT SANDER 150MM

Item No.	Parts No.	Description	Interchangeability	Q'ty	New/Old	Note1	Note2
001	417371-2	HEAD COVER		1			
002	816367-4	INDICATION LABEL		1			
003	265083-9	+ FLAT HEAD SCREW M8X11		2			
004	266050-7	TAPPING SCREW 4X30		4			
005	152671-0	GEAR HOUSING COMPLETE		1	*		
005-1	152671-0	GEAR HOUSING COMPLETE	<	1			
006-1	213724-1	O RING 62		1			
008	931503-2	HEX. NUT M10		1			
009	253024-7	FLAT WASHER 10		1			
010	324071-6	UPPER BALANCE WEIGHT		1			
011	152674-4	SPIRAL BEVEL GEAR 42 COMPLETE		1			
012	211106-1	BALL BEARING 6201LLB		1			
013	911126-2	PAN HEAD SCREW M4X16		4			
014	417373-8	CAP		1			
015	911119-9	PAN HEAD SCREW M4X12		1			
016	152672-8	KNOB COMPLETE		1	*		
C10	216011-7	STEEL BALL 5.6		1	*		
C20	231234-6	COMPRESSION SPRING 3.5		1	*		
016-1	152987-3	KNOB COMPLETE	<	1	*		
C10	216011-7	STEEL BALL 5.6		1	*		
C20	231234-6	COMPRESSION SPRING 3.5		1	*		
016-2	153428-2	KNOB COMPLETE	S	1			
C10	216011-7	STEEL BALL 5.6		1			
C20	231234-6	COMPRESSION SPRING 3.5		1			
017	417382-7	SPRING HOLDER		1			
018	231230-4	COMPRESSION SPRING 4		1			
019	162219-0	HOLDER		1	*		
019-1	345209-0	HOLDER	<	1			
020	152795-2	SKIRT COMPLETE		1	*		
020-1	152948-3	SKIRT COMPLETE	<	1	*		
020-2	152948-3	SKIRT COMPLETE	<	1			
021	257933-2	STOP RING (EXT) WR-55		1			
022	211654-0	BALL BEARING 6811LLB		1			
023	227008-1	INTERNAL GEAR 29		1			
024	324069-3	SPINDLE		1			
025	324072-4	LOWER BALANCE WEIGHT		1			
026	324070-8	SLEEVE		1			
027	211131-2	BALL BEARING 6001DDW		1			
028	211131-2	BALL BEARING 6001DDW		1			
029	152760-1	SPUR GEAR 26 COMPLETE		1			
030	266270-3	HEX.SOCKET HEAD BOLT M8X14		1			
031	152761-9	BEARING RETAINER 80 COMPLETE		1			
032	421763-9	RUBBER GUARD		1			
033	743063-0	PAD 150		1	*		
033-1	193299-5	PAD 150 (SOFT)	X	1	*		
033-2	A-87812	RUBBER PAD (SOFT)	<	1	*		

033-3	196684-1	PAD 150 SET (SOFT)	<	1		
034	961002-0	RETAINING RING S-6		1		
035	227402-7	SPIRAL BEVEL GEAR 9		1		
036	211142-7	BALL BEARING 6001LLB		1		
037	253084-9	FLAT WASHER 12		1		
038	317359-1	GEAR HOUSING COVER		1		
039	240033-5	FAN 57		1		
040	515203-8	ARMATURE ASS'Y 220-240V		1	*	
D10		INC. 39,41-43				
040-1	515223-2	ARMATURE ASS'Y 220-240V	S	1	*	
D10		INC. 39,41-43				
040-2	510517-0	ARMATURE ASS'Y 220-240V	<	1		
D10		INC. 39,41-43				
041	681656-4	INSULATION WASHER		1		
042	253823-7	FLAT WASHER 7		1		
043	210027-4	BALL BEARING 627DDW		1		
044	421738-8	LABYRINTH RUBBER RING 22		1	*	
044-1	422750-1	LABYRINTH RUBBER RING 22	<	1		
045	688117-5	MAGNET SLEEVE		1		
046	961011-9	STOP RING E-4		1	*	
046-1	259039-2	SELF LOCK 6	S	1		
047	413076-2	BAFFLE PLATE		1		
048	266274-5	TAPPING SCREW 4X55		2		
049	344871-8	RETAINER		2		
050	417237-6	INSULATION COVER		2	*	
051	626533-3	FIELD 220-240V		1	*	
051-1	621A73-2	FIELD 220-240V	S	1		
052	852515-1	NAME PLATE BO6040		1		
053	265995-6	TAPPING SCREW 4X18		2		
054	687052-4	STRAIN RELIEF		1		
055	266256-7	TAPPING SCREW PT3X10		4		
056	632945-0	SWITCH BLOCK		1		
057	643760-7	BRUSH HOLDER		1		
058	191978-9	A.C. CARBON BRUSH CB-318		1		
059	665890-4	POWER SUPPLY CORD 1.0-2-4.0		1		
060	682566-8	CORD GUARD 10		1		
061	651418-4	SWITCH ST115A-40		1	*	
061-1	651418-4	SWITCH ST115A-40	O	1		
062	687113-0	COVER		1		
063	816364-0	INDICATION LABEL		1		
064	417185-9	REAR COVER		1		
065	265995-6	TAPPING SCREW 4X18		1		
066	417188-3	SWITCH KNOB		1	*	
066-1	417813-6	SWITCH KNOB	<	1		
067	819720-3	MAKITA LABEL		1	*	
068	417184-1	MOTOR HOUSING		1	*	
068-1	183406-8	MOTOR HOUSING	S	1	*	
D10		INC. 67				
068-2	417812-8	MOTOR HOUSING	<	1		
070A_	643974-8	BRUSH HOLDER		1		
071	233071-4	COMPRESSION SPRING 4		1		
072	417187-5	SWITCH LEVER		1		

073	631391-4	CONTROLLER		1		
074	961052-5	RETAINING RING (EXT) S-12		1		
075	911119-9	PAN HEAD SCREW M4X12		3		
076	911119-9	PAN HEAD SCREW M4X12		3		
077	267756-0	WAVE WASHER 6		1		
078	152988-1	DUST SEAL WASHER COMPLETE		1	*	
078-1	153427-4	DUST SEAL WASHER COMPLETE	S	1		
A01	410047-0	WRENCH HOLDER 5.6		1		
A02	783203-8	HEX. WRENCH 5		1		
A03	824591-5	PLASTIC CARRYING CASE		1		
C10	417059-4	LATCH		2		
A04	794610-0	ABRASIVE DISC 150#120		1		
E01	417408-5	JOINT		1		
F20	193288-0	FELT PAD 150		1		
A03	821551-8	CONNECTOR PLASTIC CASE (TYP E3)		1	*	
C10	453974-8	LATCH		4	*	
A03-1	821551-8	CONNECTOR PLASTIC CASE (TYP E3)	<	1		
C10	453974-8	LATCH		4		
A05	837655-6	INNER TRAY		1		
A06	800V62-8	BO6040J INDICATION LABEL		1		
A07	800V63-6	BO6040J PLASTIC CASE LABEL		2		

Please state Parts No. when your order.

Print Date 10/16/2023