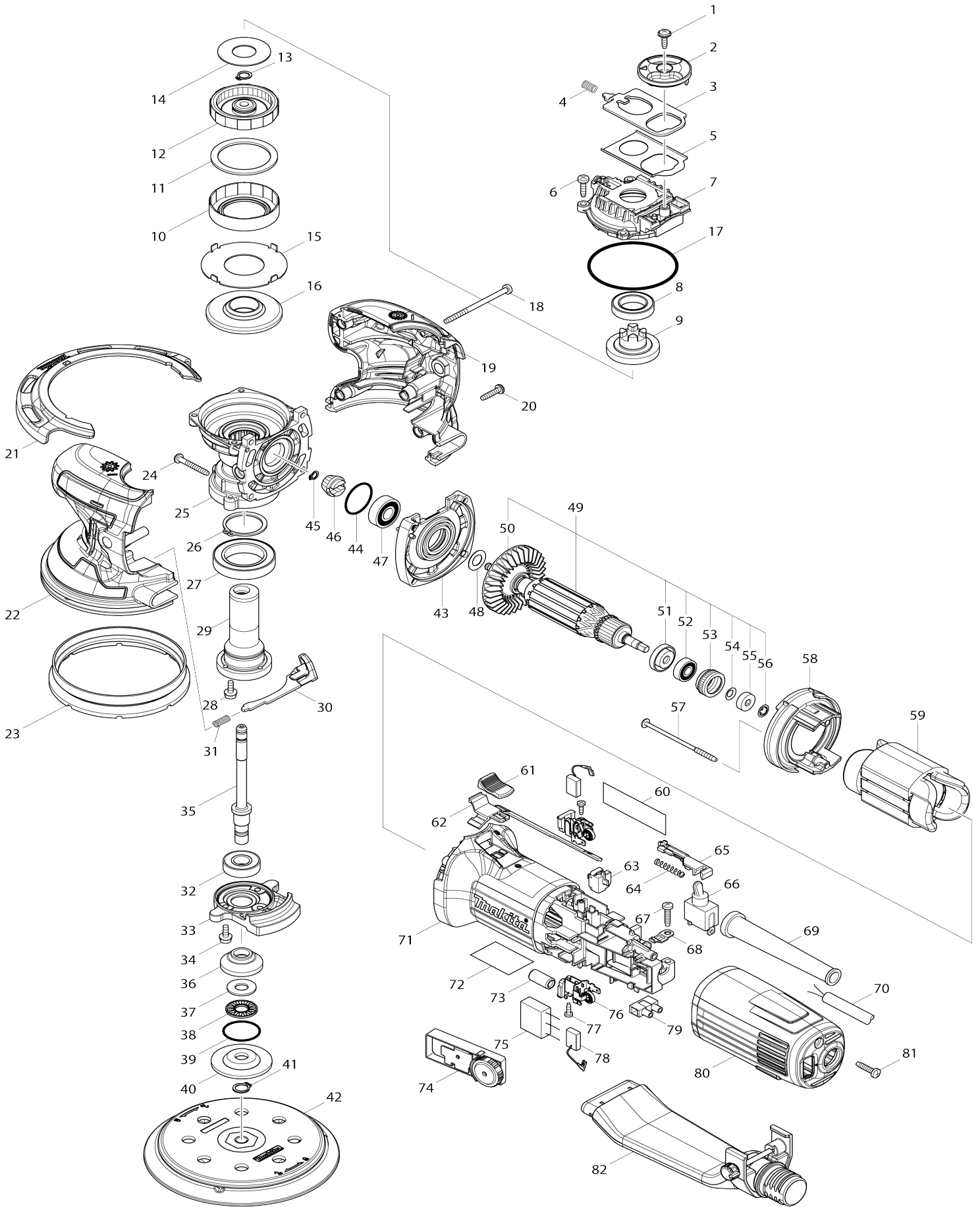


Model No.BO6050 150MM RANDOM ORBIT SANDER



Model No.BO6050 150MM RANDOM ORBIT SANDER

Item No.	Parts No.	Description	Interchangeability	Q'ty	New/Old	Note1	Note2
001	266901-4	TAPPING SCREW 4X14		1			
002	456126-0	CHANGE KNOB		1			
003	346914-2	CHANGE PLATE		1	*		
003-1	347150-3	CHANGE PLATE	<	1			
004	231490-8	COMPRESSION SPRING 5		1			
005	346913-4	GUIDE PLATE		1			
006	266034-5	TAPPING SCREW CT 4X16		4			
007	456117-1	TOP COVER		1			
008	211333-0	BALL BEARING 6804LLU		1			
009	227386-9	SPUR GEAR 31		1	*		
009-1	226935-9	SPUR GEAR 31	<	1			
010	424748-4	BRAKE RING		1			
011	261157-4	SPONGE WASHER 40		1			
012	227387-7	INTERNAL GEAR 34		1			
013	961004-6	RETAINING RING (EXT) S-8		1			
014	267290-0	FLAT WASHER 18		1			
015	346912-6	PLATE		1			
016	227648-5	SPIRAL BEVEL GEAR 43		1			
017	213707-1	O RING 65		1			
018	266060-4	TAPPING SCREW 4X65		1			
019	183B68-4	HEAD COVER SET		1			
D10		INC. 22					
020	265995-6	TAPPING SCREW 4X18		4			
021	456127-8	PAD PROTECTOR		1			
022	183B68-4	HEAD COVER SET		1			
D10		INC. 19					
023	424747-6	RUBBER GUARD		1			
024	266050-7	TAPPING SCREW 4X30		4			
025	143324-2	GEAR HOUSING COMPLETE		1			
026	961110-7	RETAINING RING S-30		1			
027	211445-9	BALL BEARING 6906DDW		1			
028	911119-9	PAN HEAD SCREW M4X12		3			
029	143325-0	OUTER SPINDLE COMPLETE		1			
030	143376-3	SHAFT LOCK COMPLETE		1			
031	233285-5	COMPRESSION SPRING 4		1			
032	211131-2	BALL BEARING 6001DDW		1			
033	319330-1	BALANCER		1			
034	911119-9	PAN HEAD SCREW M4X12		3			
035	143375-5	INNER SPINDLE COMPLETE		1			
036	326582-7	COVER		1			
037	253024-7	FLAT WASHER 10		1			
038	216413-7	THRUST NEEDLE CAGE 1024		1			
039	213445-5	O-RING 26		1			
040	326581-9	FLANGE		1			
041	961006-2	RETAINING RING S-10		1			
042	197314-7	PAD 150 SET		1			
043	143327-6	GEAR HOUSING COVER COMPLETE		1			

044	213445-5	O-RING 26		1		
045	961002-0	RETAINING RING S-6		1		
046	227647-7	SPIRAL BEVEL GEAR 11		1		
047	210059-1	BALL BEARING 6000DDW		1		
048	253758-2	FLAT WASHER 10		1		
049	513443-2	ARMATURE ASS'Y 220-240V		1		
D10		INC. 50-56				
050	240084-8	FAN 60		1		
051	681636-0	INSULATION WASHER		1		
052	210034-7	BALL BEARING 607LLB		1		
053	421868-5	LABYRINTH RUBBER RING 19		1		
054	267756-0	WAVE WASHER 6		1		
055	688117-5	MAGNET SLEEVE		1		
056	259039-2	SELF LOCK 6		1		
057	266049-2	TAPPING SCREW 4X75		2		
058	456116-3	BAFFLE PLATE		1		
059	621773-8	FIELD 220-240V		1		
060	851L09-5	BO6050 NAME PLATE		1		
061	419566-3	SWITCH KNOB		1		
062	456122-8	FRONT SWITCH LEVER		1		
063	456124-4	PICUP COIL COVER		1		
064	233071-4	COMPRESSION SPRING 4		1		
065	456123-6	REAR SWITCH LEVER		1		
066	651423-1	SWITCH		1	*	
066-1	651423-1	SWITCH	O	1		
067	265995-6	TAPPING SCREW 4X18		1		
068	687682-1	STRAIN RELIEF		1		
069	682566-8	CORD GUARD 10		1		
070	665890-4	POWER SUPPLY CORD 1.0-2-4.0		1		
071	456120-2	MOTOR HOUSING		1		
072	807P04-7	INDICATION LABEL		1		
073	688161-2	LINE FILTER		1		
074	620465-6	CONTROLLER		1		
075	645233-6	NOISE SUPPRESSOR		1		
076	643770-4	BRUSH HOLDER		2		
077	266007-8	TAPPING SCREW BIND PT 3X10		2		
078	194074-2	CARBON BRUSH CB-325		1		
079	654532-5	TERMINAL BLOCK 1P		1		
080	456121-0	REAR COVER		1		
081	265995-6	TAPPING SCREW 4X18		1		
082	143326-8	NOZZLE COMPLETE		1		
A01	143328-4	GRIP 36 COMPLETE		1		
A02	143676-1	CONNECTOR PLASTIC CASE (TYP E3)		1		
C10	453974-8	LATCH		4		
A03	838246-6	INNER TRAY		1		
A04	807T73-2	BO6050J INDICATION LABEL		1		
A05	807T74-0	BO6050J PLASTIC CASE LABEL		2		
A06	794610-0	ABRASIVE DISC 150#120		1		

Please state Parts No. when your order.

Print Date 10/16/2023