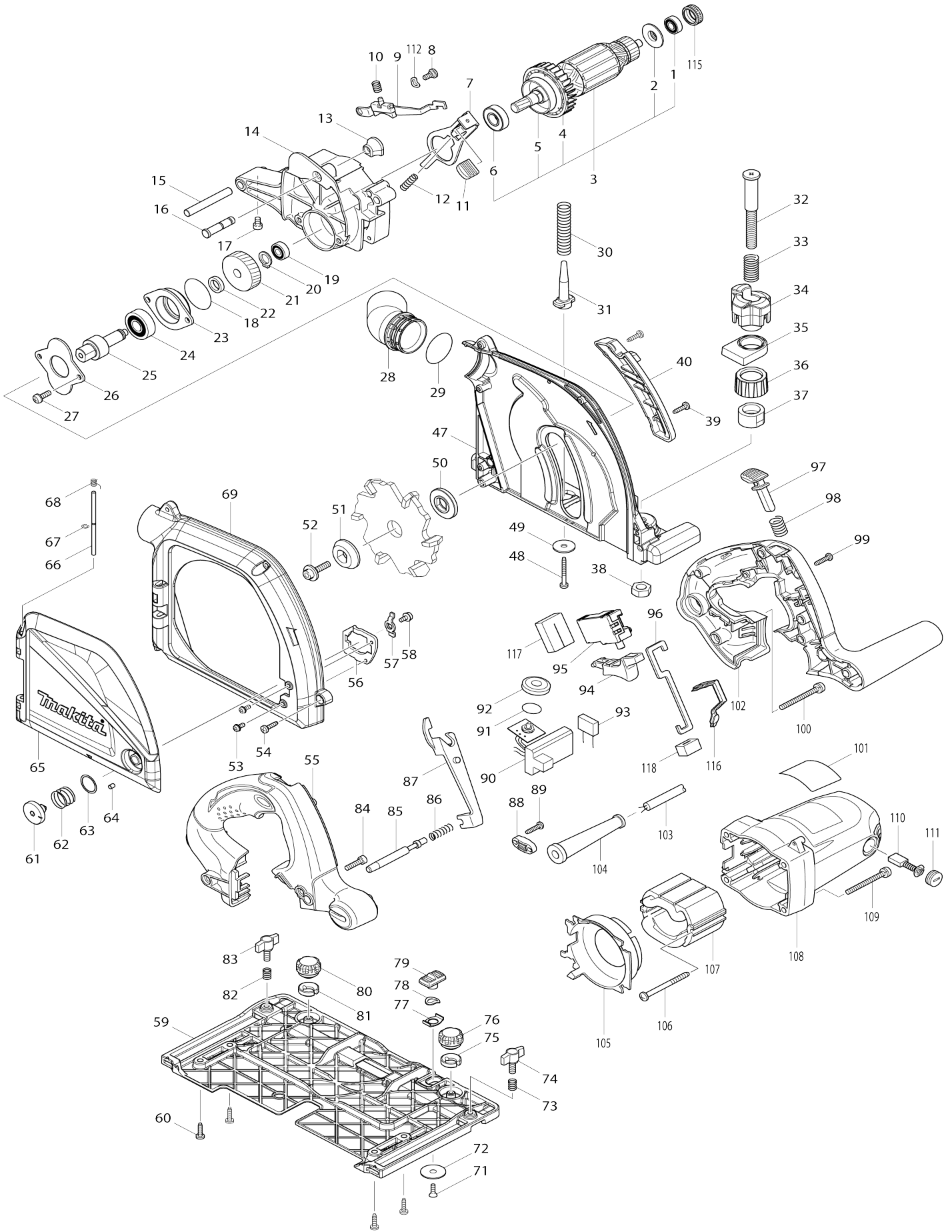


# Model No.CA5000 ALUMINUM GROOVE CUTTER



Model No.CA5000 ALUMINUM GROOVE CUTTER

Item No.	Parts No.	Description	Interchangability	Q'ty	New/Old	Note1	Note2
001	210013-5	BALL BEARING 698VV		1			
002	681634-4	INSULATION WASHER		1			
003	513678-5	ARMATURE ASS'Y 220-240V		1			
D10		INC. 1,2,4-6					
004	240091-1	FAN 60		1			
005	345767-6	DRUM		1			
006	211131-2	BALL BEARING 6001DDW		1			
007	345742-2	SHAFT LOCK		1			
008	265011-4	+ BINDING HEAD SCREW M5		1	*		
008-1	256A59-3	+BINDING HEAD SCREW M5	O	1			
009	158096-6	SHOE COMPLETE		1	*		
009-1	345743-0	SHOE HOLDER	S	1			
010	233480-7	COMPRESSION SPRING 7		1			
011	286275-7	CAP		1	*		
011-1	286039-9	CAP	<	1			
012	233084-5	COMPRESSION SPRING 6		1			
013	286278-1	CAP		1	*		
013-1	286040-4	CAP	<	1			
014	158092-4	GEAR HOUSING COMPLETE		1	*		
C10	263002-9	RUBBER PIN 4		1	*		
014-1	144586-5	GEAR HOUSING COMPLETE	O	1			
C10	263002-9	RUBBER PIN 4		1			
015	324716-6	PIN 8		1	*		
015-1	326960-1	PIN 8	S	1	*		
015-2	324716-6	PIN 8	<	1	*		
015-3	327B66-0	PIN 8	O	1			
016	324708-5	STOPPER PIN 8		1			
017	265913-4	HEX. SOCKET HEAD BOLT M5X8		1	*		
017-1	265907-9	HEX. SOCKET HEAD BOLT M5X10	S	1			
018	213512-6	O RING 39		1			
019	211021-9	BALL BEARING 607LLB		1			
020	961052-5	RETAINING RING (EXT) S-12		1			
021	226637-7	HELICAL GEAR 39		1			
022	257010-0	RING 12		1			
023	318088-9	BEARING BOX		1			
024	211129-9	BALL BEARING 6201DDW		1			
025	326555-0	SPINDLE		1			
026	285024-9	BEARING RETAINER 55		1			
027	911221-8	PAN HEAD SCREW M5X16		2			
028	419620-3	DUST NOZZLE		1			
029	213460-9	O RING 35		1			
030	233479-2	COMPRESSION SPRING 11		1			
031	419624-5	SPRING HOLDER		1			
032	266964-0	+ FLAT HEAD SCREW M10		1			
033	234382-0	COMPRESSION SPRING 13		1			
034	319316-5	STOPPER		1			
035	456060-4	SPACER		1			

036	456059-9	GRIP		1		
037	264115-9	CIRCULAR NUT M10-24		1		
038	931501-6	HEX. NUT M10		1	*	
038-1	252234-3	HEX. NUT M10	O	1		
039	266034-5	TAPPING SCREW CT 4X16		2		
040	456110-5	DEPTH GUIDE		1		
047	319317-3	BLADE CASE		1		
048	266053-1	TAPPING SCREW 4X35		1		
049	253010-8	FLAT WASHER 6		1		
050	224406-0	INNER FLANGE 35		1	*	
050-1	224593-5	INNER FLANGE 35	O	1		
051	224479-3	OUTER FLANGE 35		1		
052	251475-8	HEX. SOCKET HEAD BOLT M6X25		1		
053	911113-1	PAN HEAD SCREW M4X10 WITH WR		2		
054	266034-5	TAPPING SCREW CT 4X16		5		
055	188197-6	HANDLE SET		1		
D10		INC. 102				
056	346946-9	LOCK PLATE B		1		
057	346945-1	LOCK PLATE A		1		
058	911114-9	PAN HEAD SCREW M4X10		1		
059	319314-9	BASE		1		
060	266034-5	TAPPING SCREW CT 4X16		4		
061	319315-7	LOCK PIN		1		
062	234283-2	COMPRESSION SPRING 18.5		1		
063	253343-1	THIN WASHER 18		1		
064	263032-0	RUBBER PIN 4		1		
065	456062-0	COVER		1		
066	256875-7	ROD 4		1		
067	961017-7	STOP RING E-3		1		
068	233627-3	TORSION SPRING 4		1		
069	456061-2	BLADE CASE COVER		1		
071	912112-6	COUNTERSUNK HEAD SCREW M4 X10		1		
072	345748-0	LOCK WASHER		1		
073	231316-4	COMPRESSION SPRING 7		1	*	
073-1	234057-1	COMPRESSION SPRING 8	O	1		
074	265726-3	SCREW M6X15		1		
075	419627-9	HOLDER		1		
076	265775-0	THUMB SCREW M4X3		1		
077	345977-5	PLATE		1		
078	253932-2	WAVE WASHER 10		1		
079	419621-1	SLIDE LEVER		1	*	
079-1	458092-7	SLIDE LEVER	<	1		
080	265775-0	THUMB SCREW M4X3		1		
081	419627-9	HOLDER		1		
082	231316-4	COMPRESSION SPRING 7		1	*	
082-1	234057-1	COMPRESSION SPRING 8	O	1		
083	265726-3	SCREW M6X15		1		
084	922232-8	HEX. SOCKET HEAD BOLT M5X20		1		
085	326557-6	LOCK PIN 8		1		
086	233267-7	COMPRESSION SPRING 7		1		

087	419631-8	LOCK PLATE		1		
088	687052-4	STRAIN RELIEF		1		
089	265995-6	TAPPING SCREW 4X18		2		
090	631729-3	CONTROLLER		1		
091	213261-5	O RING 17		1		
092	418905-4	DIAL		1		
093	645185-1	NOISE SUPPRESSOR		1		
094	419622-9	SWITCH LEVER		1		
095	650716-3	SWITCH TGC31B		1		
096	345745-6	LINK PLATE		1		
097	419629-5	LOCK OFF BUTTON		1		
098	233089-5	COMPRESSION SPRING 12		1		
099	265995-6	TAPPING SCREW 4X18		6		
100	911273-9	PAN HEAD SCREW M5X50		1		
101	851F08-1	CA5000 NAME PLATE		1		
102	188197-6	HANDLE SET		1		
D10		INC. 55				
103	665890-4	POWER SUPPLY CORD 1.0-2-4.0		1		
104	682540-6	CORD GUARD 9.3-90		1		
105	419626-1	BAFFLE PLATE		1		
106	266044-2	TAPPING SCREW 5X60		2		
107	525743-8	FIELD ASS'Y 220-240V		1		
C10	654020-2	RING TERMINAL		2		
C20	654501-6	CONNECTOR P-1.25		2		
108	158094-0	MOTOR HOUSING COMPLETE		1		
C10	643708-9	BRUSH HOLDER 5-11		2		
109	911273-9	PAN HEAD SCREW M5X50		4		
110	191963-2	CARBON BRUSH CB-303		1	*	
110-1	194996-6	CARBON BRUSH SET CB-303	O	1		
111	643750-0	BRUSH HOLDER CAP 7-11		2		
112	267781-1	WAVE WASHER 7		1		
115	421479-6	RUBBER RING 19		1		
116	424047-4	PACKING		1		
117	424050-5	SPONGE		1		
118	443137-4	FELT		1		
119	422953-7	SHOE	S	1		
A01	143293-7	SKIRT COMPLETE		1	*	
C10	266020-6	TAPPING SCREW 4X12		1	*	
A01-1	143939-5	SKIRT COMPLETE	<	1		
C10	266020-6	TAPPING SCREW 4X12		1		
A02	143396-7	PLATE COMPLETE		1		
C10	263002-9	RUBBER PIN 4		2		
A03	783022-2	HEX. WRENCH 5		1		
A04	922331-6	HEX. SOCKET HEAD BOLT M6X20		2		
A05	B-48832	GROOVING TCT SAW BLADE90 1 18MM		1		
A06	821552-6	CONNECTOR PLASTIC CASE (TYP E4)		1		
C10	453974-8	LATCH		4		
A07	838390-9	INNER TRAY		1		
A08	807E50-4	CA5000XJ INDICATION LABEL		1		
A09	807E51-2	CA5000XJ PLASTIC CASE LABEL		2		

F02	194367-7	GUIDE RAIL 3000 SET		1		
C10	413102-7	SEAT 3000		2		
C20	423360-7	POSITION SHEET 3000		1		
C30	423362-3	RUBBER SEAT 3000		2		
C40	819212-2	MAKITA LOGO LABEL		1		
F03	194368-5	GUIDE RAIL 1400 SET		1		
C10	413101-9	SEAT 1400		2		
C20	423359-2	POSITION SHEET 1400		1		
C30	423361-5	RUBBER SEAT 1400		2		
C40	819212-2	MAKITA LOGO LABEL		1		
F05	194416-0	SHEET 10000 SET		1		
F06	194417-8	RUBBER SHEET 10000 SET		1		
F07	194418-6	POSITION SHEET 1400 SET		1		
F09	194910-2	POSITION SHEET 1900 SET		1		
F11	194925-9	GUIDE RAIL 1900 SET		1		
C10	423386-9	POSITION SHEET 1900		1		
C20	423390-8	RUBBER SHEET 1900		2		
C30	451330-6	SHEET 1900		2		
C40	819212-2	MAKITA LOGO LABEL		1		
F13	196664-7	BEVEL GUIDE SET		1		
F17	199140-0	GUIDE RAIL 1000 SET		1		
F18	199141-8	GUIDE RAIL 1500 SET		1		
F28	1913K7-3	PARALLEL GUIDE SET(MM)		1		

Please state Parts No. when your order.

Print Date 01/29/2024