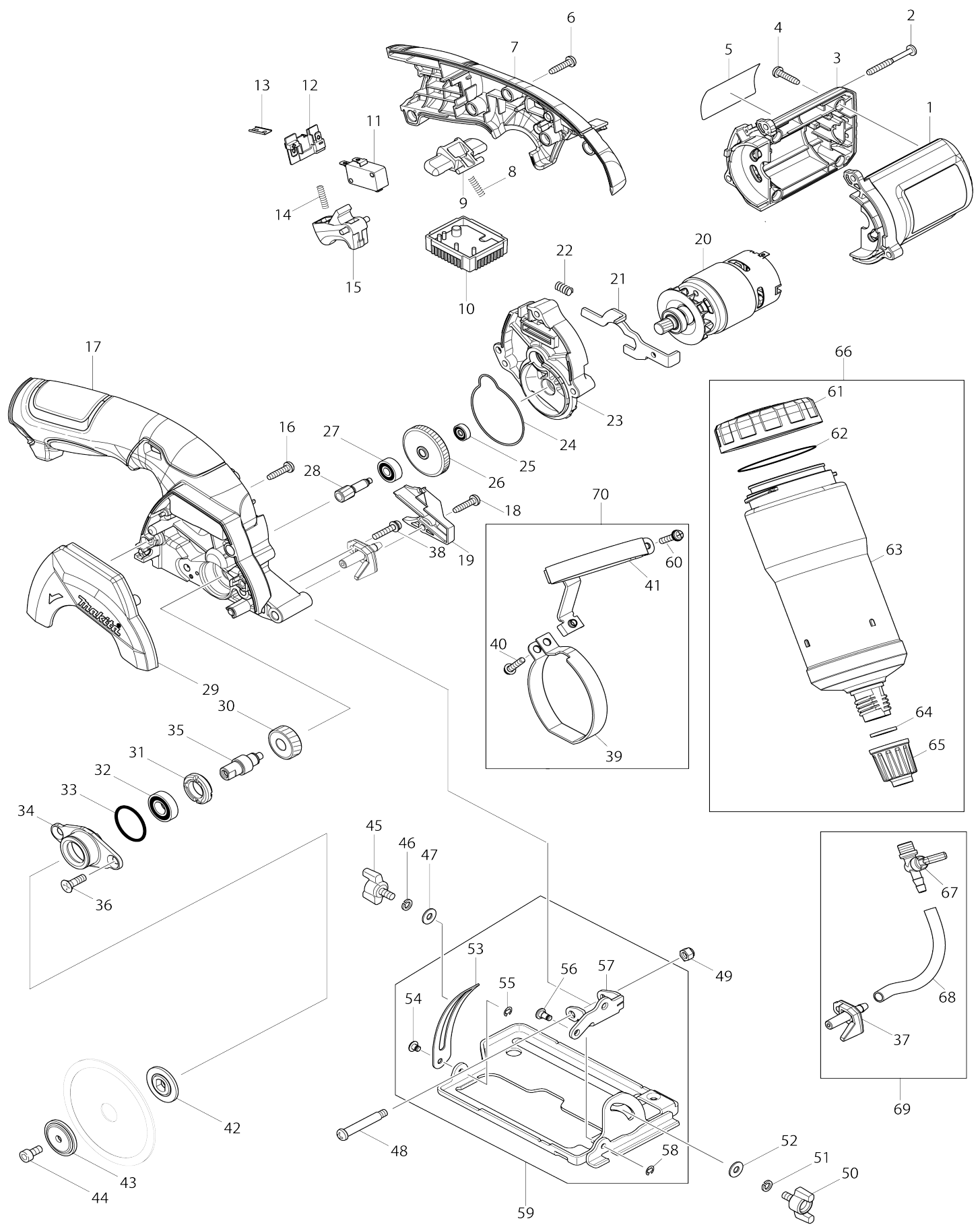


Model No. CC300D 85MM CORDLESS CUTTER



Model No.CC300D 85MM CORDLESS CUTTER

Item No.	Parts No.	Description	Interchangability	Q'ty	New/Old	Note1	Note2
001	188941-1	MOTOR HOUSING SET		1			
D10		INC. 3					
002	266560-4	TAPPING SCREW 4X40		3			
003	188941-1	MOTOR HOUSING SET		1			
D10		INC. 1					
004	265995-6	TAPPING SCREW 4X18		4			
005	896666-0	CC300D NAME PLATE		1			
006	265995-6	TAPPING SCREW 4X18		5			
007	187282-2	HANDLE SET		1			
C10	263002-9	RUBBER PIN 4		1			
D10		INC. 17					
008	231469-9	COMPRESSION SPRING 4		1			
009	419664-3	LOCK OFF LEVER		1			
010	638867-2	CONTROLLER UNIT		1	*		
C10	688161-2	LINE FILTER		1	*		
010-1	632L88-0	CONTROLLER UNIT	<	1			
C10	688161-2	LINE FILTER		1			
011	651891-8	SWITCH V-15-3A6		1			
012	643830-2	TERMINAL		1			
013	345998-7	SET PLATE		1			
014	231469-9	COMPRESSION SPRING 4		1			
015	419665-1	SWITCH LEVER		1			
016	265995-6	TAPPING SCREW 4X18		2			
017	187282-2	HANDLE SET		1			
C10	263002-9	RUBBER PIN 4		1			
D10		INC. 7					
018	265995-6	TAPPING SCREW 4X18		1			
019	452234-5	DUCT		1			
020	629885-1	DC MOTOR		1			
021	346337-4	SHAFT LOCK		1			
022	233117-6	COMPRESSION SPRING 6		1			
023	140625-9	GEAR HOUSING COMPLETE		1			
C10	213325-5	O RING 19		1			
024	424358-7	PACKING		1			
025	210036-3	BALL BEARING 604ZZ		1			
026	227737-6	HELICAL GEAR 47		1			
027	210028-2	BALL BEARING 606ZZ		1			
028	227735-0	HELICAL GEAR 9B		1			
029	452243-4	BLADE COVER		1	*		
029-1	454833-9	BLADE COVER	<	1			
030	227736-8	HELICAL GEAR 28		1			
031	285847-5	BEARING RETAINER 14-23		1			
032	210069-8	BALL BEARING 6900DDW		1			
033	213435-8	O RING 26		1			
034	318660-7	BEARING BOX		1			
035	325983-6	SPINDLE		1			
036	265034-2	+ COUNTERSUNK HEAD SCREW M5X16		2			

037	453555-8	NOZZLE		1		
038	911138-5	P.H.SCREW M4X20 WITH WR		1		
039	346578-2	BAND B		1		
040	911138-5	P.H.SCREW M4X20 WITH WR		1		
041	346579-0	TANK HOLDER		1		
042	224435-3	INNER FLANGE 28		1		
043	224177-9	OUTER FLANGE 28		1		
044	922212-4	HEX. SOCKET HEAD BOLT M5X12		1		
045	265760-3	THUMB SCREW M5X10		1		
046	942101-7	SPRING WASHER 5		1	*	
046-1	253427-5	SPRING WASHER 5	O	1	*	
047	941101-4	FLAT WASHER 5		1		
048	265056-2	+ PAN HEAD SCREW M5		1		
049	252103-8	HEX. LOCK NUT M5-8		1		
050	265760-3	THUMB SCREW M5X10		1		
051	942101-7	SPRING WASHER 5		1	*	
051-1	253427-5	SPRING WASHER 5	O	1	*	
052	941101-4	FLAT WASHER 5		1		
053	346587-1	DEPTH GUIDE		1		
054	268004-0	PIN 4		1		
055	961017-7	STOP RING E-3		1		
056	268028-6	PIN 5		1		
057	346586-3	ANGULAR GUIDE		1		
058	961017-7	STOP RING E-3		1		
059	135503-6	BASE ASS'Y		1		
D10		INC. 53-58				
060	911138-5	P.H.SCREW M4X20 WITH WR		1		
061	453557-4	CAP B		1		
062	213605-9	O RING 50		1		
063	453556-6	WATER SUPPLY TANK		1		
064	261056-0	RUBBER WASHER 12		1	*	
064-1	261173-6	RUBBER WASHER 12	O	1		
065	453554-0	CAP A		1		
066	187277-5	WATER SUPPLY TANK SET		1	*	
D10		INC. 61-65				
066-1	183U11-7	WATER SUPPLY TANK SET	O	1		
D10		INC. 61-65				
067	152536-6	WATER SUPPLY COCK COMPLETE		1		
068	412107-4	VINYL TUBE 5		1		
069	187278-3	WATER SUPPLY COCK SET		1		
D10		INC. 37,67,68				
070	187276-7	TANK HOLDER SET		1		
D10		INC. 39-41,60				
A01	783202-0	HEX. WRENCH 4		1		
A02	B-21098	DIAMOND WHEEL 85MM TIM WE T EN		1		
F01-1	196066-7	BATTERY BL1013 SET	O	1		
A03	***DC10WA	DC10WA BATTERY CHARGER		1		
A04	194550-6	BATTERY BL1013 SET		2	*	
A04-1	196066-7	BATTERY BL1013 SET	O	2		
A05	821551-8	CONNECTOR PLASTIC CASE (TYP E3)		1		

C10	453974-8	LATCH		4			
A06	837879-4	INNER TRAY		1			
A07	803G03-3	CC300DZJ INDICATION LABEL		1			
A08	803G04-1	CC300DZJ PLASTIC CASE LABEL		2			
A07	803G05-9	CC300DWJ INDICATION LABEL		1			
A08	803G06-7	CC300DWJ PLASTIC CASE LABEL		2			

Please state Parts No. when your order.

Print Date 10/18/2023