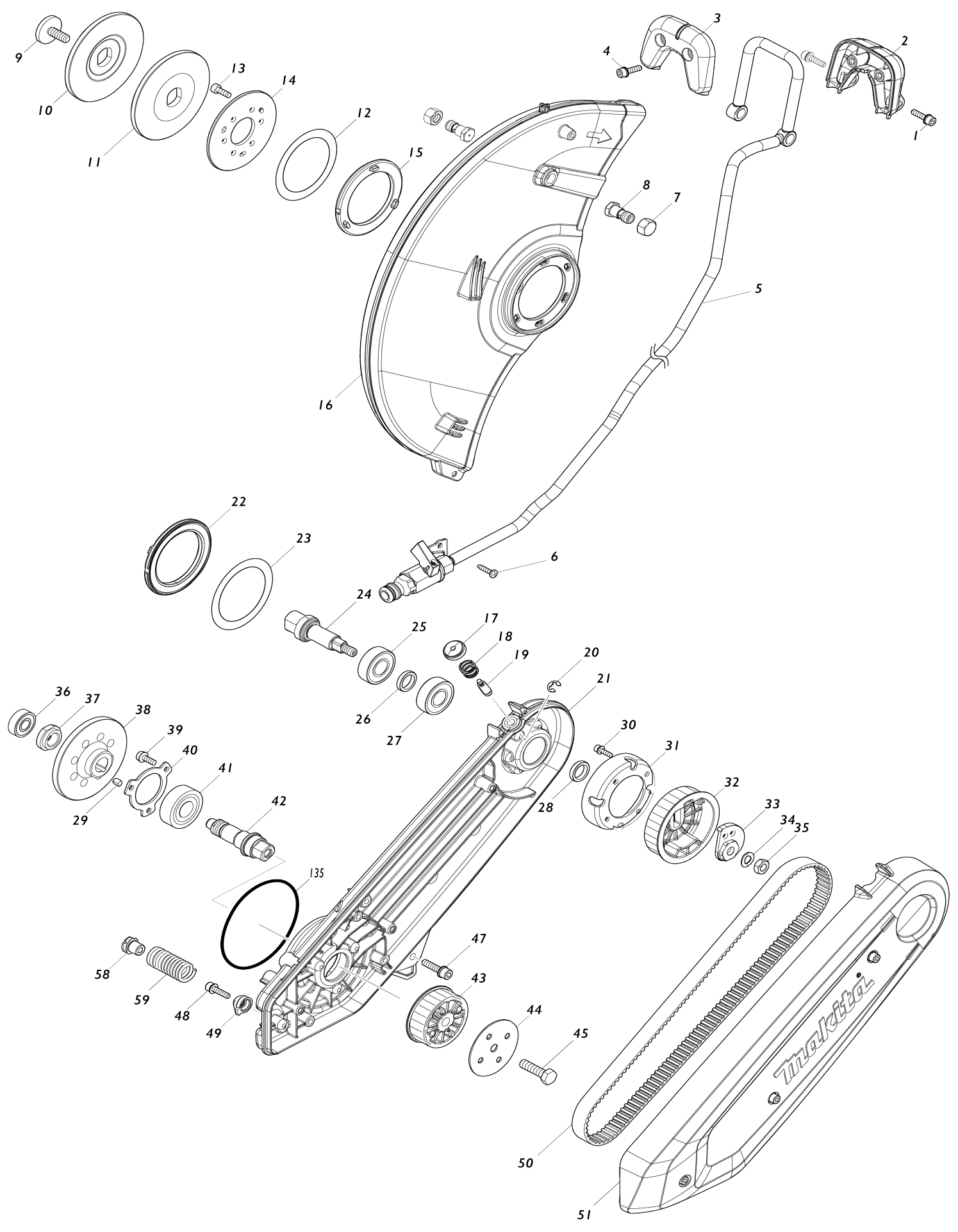
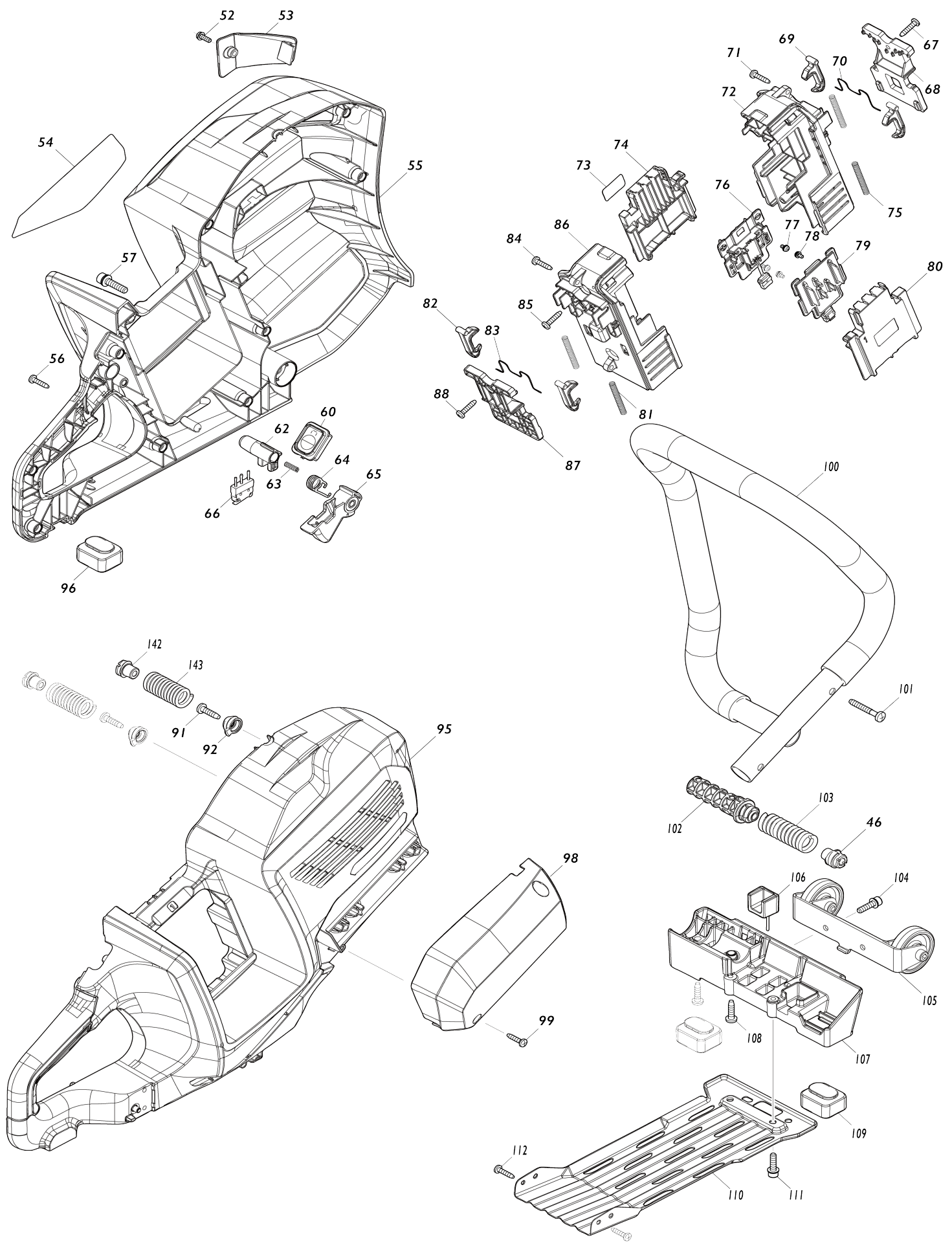


Model No.CE001G 355MM CORDLESS POWER CUTTER



Model No.CE001G 355MM CORDLESS POWER CUTTER



Model No.CE001G 355MM CORDLESS POWER CUTTER

Item No.	Parts No.	Description	Interchangeability	Q'ty	New/Old	Note1	Note2
001	922233-6	H.S.H.BOLT M5X20 WITH WR		2			
002	183U98-9	WHEEL COVER GRIP SET		1			
D10		INC. 3					
003	183U98-9	WHEEL COVER GRIP SET		1			
D10		INC. 2					
004	922233-6	H.S.H.BOLT M5X20 WITH WR		2			
005	122B46-9	HOSE ASSEMBLY		1			
006	266326-2	TAPPING SCREW 4X18		2			
007	252306-4	HEX.NUT M10		2			
008	265C26-9	HEX.BOLT M10X21		2			
009	266976-3	HEX. BOLT M8X25		1			
010	224622-4	FLANGE 92		1			
011	224622-4	FLANGE 92		1			
012	424792-1	SLIDING DISK		1			
013	922217-4	HEX. SOCKET HEAD BOLT M5X14		6			
014	347917-9	SPINDLE PLATE 83		1			
015	422822-2	RUBBER RING 56		1			
016	312C31-8	WHEEL COVER 355		1	*		
016-1	312D96-6	WHEEL COVER 355	O	1			
017	451485-7	PIN CAP		1			
018	233089-5	COMPRESSION SPRING 12		1			
019	256947-8	SHOULDER PIN 7		1			
020	961012-7	STOP RING E-6		1			
021	312C29-5	CUTTING DEVICE		1			
022	422822-2	RUBBER RING 56		1			
023	424792-1	SLIDING DISK		1			
024	327927-2	SPINDLE		1			
025	211238-4	BALL BEARING 6202LLU		1			
026	257868-7	RING 15		1			
027	211238-4	BALL BEARING 6202LLU		1			
028	257868-7	RING 15		1			
029	254201-4	KEY 4		1			
030	922123-3	HEX. SOCKET HEAD BOLT M4X14		2			
031	347915-3	PULLEY BOTTOM PLATE		1			
032	222201-2	PULLEY 17-70.5		1			
033	313415-5	ECCENTRIC DISK		1			
034	267822-3	SPRING WASHER 8		1			
035	264022-6	HEX. NUT M8X1		1	*		
035-1	264053-5	HEX. NUT M8X1	O	1			
036	211062-5	BALL BEARING 6000ZZ		1			
037	252429-8	NUT M15-23		1			
038	227922-1	SPIRAL BEVEL GEAR 53		1			
039	265074-0	PAN HEAD SCREW M5X16		3			
040	285049-3	BEARING RETAINER 33-59		1			
041	211278-2	BALL BEARING 6203DDW		1			
042	327926-4	GEAR SHAFT		1			
043	222202-0	PULLEY 17-54.6		1			

044	347918-7	PULLEY PLATE 59		1		
045	265C27-7	HEX.BOLT M8X30		1	*	
045-1	265D39-6	HEX.BOLT M8X30	<	1		
046	312C35-0	SPRING HOLDER C		1		
047	922343-9	H.S.H.BOLT M6X25 WITH WR		1		
048	922233-6	H.S.H.BOLT M5X20 WITH WR		1		
049	312C33-4	SPRING HOLDER A		1		
050	225106-5	SYNCHRO BELT 15-750		1		
051	141G40-2	BELT COVER COMPLETE		1		
C10	265B09-3	H.S. HEAD BOLT M5X30 WITH W R		3		
052	911118-1	PAN HEAD SCREW M4X12		1		
053	413C66-3	LENS		1		
054	8116C0-0	CE001G NAME PLATE		1		
055	183W18-5	HANDLE SET		1	*	
C10	8040V4-6	XGT LOGO LABEL		1	*	
D10		INC. 95				
055-1	183Y19-5	HANDLE SET	S	1		
C10	8040V4-6	XGT LOGO LABEL		1		
D10		INC. 95				
056	266326-2	TAPPING SCREW 4X18		9		
057	922343-9	H.S.H.BOLT M6X25 WITH WR		1		
058	312C34-2	SPRING HOLDER B		1		
059	232729-2	COMPRESSION SPRING 13		1		
060	141G39-7	SWITCH CIRCUIT COMPLETE		1		
062	413C73-6	LOCK OFF BUTTON		1		
063	232444-8	COMPRESSION SPRING 4		1		
064	232732-3	TORSION SPRING 10		1		
065	413C72-8	SWITCH LEVER		1		
066	632T61-8	SWITCH UNIT		1		
067	266326-2	TAPPING SCREW 4X18		1		
068	413C77-8	LOCK COVER		1		
069	413C76-0	BATTERY ADAPTER LOCK		2		
070	232731-5	LEVER SPRING		1		
071	266326-2	TAPPING SCREW 4X18		2		
072	183U87-4	TERMINAL BOX SET		1		
C10	263005-3	RUBBER PIN 6		4		
D10		INC. 86				
073	8116C7-6	CE001G SERIAL NO. LABEL		1		
074	183U89-0	BATTERY ADAPTER SET		1	*	
D10		INC. 80				
074-1	413C74-4	BATTERY ADAPTER L	X	1		
075	232730-7	COMPRESSION SPRING 5		2		
076	632T08-2	TERMINAL UNIT		1		
077	652031-1	PAN HEAD SCREW M3X6		2		
078	652031-1	PAN HEAD SCREW M3X6		2		
079	632T08-2	TERMINAL UNIT		1		
080	183U89-0	BATTERY ADAPTER SET		1	*	
D10		INC. 74				
080-1	413C75-2	BATTERY ADAPTER R	X	1		
081	232730-7	COMPRESSION SPRING 5		2		
082	413C76-0	BATTERY ADAPTER LOCK		2		

083	232731-5	LEVER SPRING		1		
084	266326-2	TAPPING SCREW 4X18		2		
085	266326-2	TAPPING SCREW 4X18		2		
086	183U87-4	TERMINAL BOX SET		1		
C10	263005-3	RUBBER PIN 6		4		
D10		INC. 72				
087	413C77-8	LOCK COVER		1		
088	266326-2	TAPPING SCREW 4X18		1		
089	265620-9	TAPPING SCREW FLANGE 4X18		1		
090	620H50-3	LED CIRCUIT		1		
091	266021-4	TAPPING SCREW 5X20		2		
092	312C33-4	SPRING HOLDER A		2		
095	183W18-5	HANDLE SET		1	*	
C10	8040V4-6	XGT LOGO LABEL		1	*	
D10		INC. 55				
095-1	183Y19-5	HANDLE SET	S	1		
C10	8040V4-6	XGT LOGO LABEL		1		
D10		INC. 55				
096	422823-0	REAR FOOT		1		
098	413C69-7	HOSE COVER		1	*	
098-1	136926-1	HOSE COVER ASS'Y	S	1		
C10	263005-3	RUBBER PIN 6		2		
099	266326-2	TAPPING SCREW 4X18		2		
100	327928-0	FRONT GRIP 26		1	*	
100-1	327C20-0	FRONT GRIP 26	<	1		
101	266373-3	TAPPING SCREW 5X35		2		
102	413C71-0	SPRING HOLDER D		1		
103	232728-4	COMPRESSION SPRING 12		1		
104	922233-6	H.S.H.BOLT M5X20 WITH WR		2		
105	122B47-7	CASTER ASSEMBRY		1		
106	424788-2	DAMPER		1		
107	312C32-6	STAND SUPPORT		1		
108	266021-4	TAPPING SCREW 5X20		2		
109	422823-0	REAR FOOT		2		
110	347916-1	BOTTOM GUARD		1		
111	922233-6	H.S.H.BOLT M5X20 WITH WR		2		
112	266326-2	TAPPING SCREW 4X18		2		
113	422821-4	SPONGE SHEET		1		
114	413C70-2	MOTOR HOUSING		1		
115	266490-9	TAPPING SCREW PT 2X6		3		
116	687B69-9	STOPPER		1		
117	620E26-2	CONTROLLER B		1		
118	632T58-7	LEAD UNIT		1		
119	652031-1	PAN HEAD SCREW M3X6		3		
120	629A92-2	STATOR		1		
121	459144-7	BAFFLE PLATE		1		
122	266326-2	TAPPING SCREW 4X18		2		
123	210059-1	BALL BEARING 6000DDW		1		
124	519717-9	ROTOR ASS'Y		1		
D10		INC. 123				
125	962211-4	RETAINING RING R-42		1		
126	253545-9	FLAT WASHER 28		1		

127	267212-0	FLAT WASHER 12		1		
128	211132-0	BALL BEARING 6301DDW		1		
129	262085-6	RUBBER RING 38		1		
130	227921-3	SPIRAL BEVEL GEAR 15		1		
131	252178-7	HEX. NUT M8-12		1		
132	266021-4	TAPPING SCREW 5X20		4		
133	141G44-4	GEAR HOUSING COMPLETE		1		
134	922343-9	H.S.H.BOLT M6X25 WITH WR		4		
135	213806-9	O RING 90		1		
136	620H49-8	CONTROLLER		1		
137	183U88-2	MOTOR HOUSING COVER SET		1		
D10		INC. 141				
138	266326-2	TAPPING SCREW 4X18		5		
141	183U88-2	MOTOR HOUSING COVER SET		1		
D10		INC. 137				
142	312C34-2	SPRING HOLDER B		2		
143	232729-2	COMPRESSION SPRING 13		2		
146	922343-9	H.S.H.BOLT M6X25 WITH WR		5		
A01	123121-2	COUPLING SLEEVE		1		
A02	191W53-9	RING SET		1		
A03	782037-6	BOX WRENCH 13-19		1		
A04	E-12996	DIAMOND WHEEL 355MM SEGM ENTED		1		

Please state Parts No. when your order.

Print Date 10/24/2023