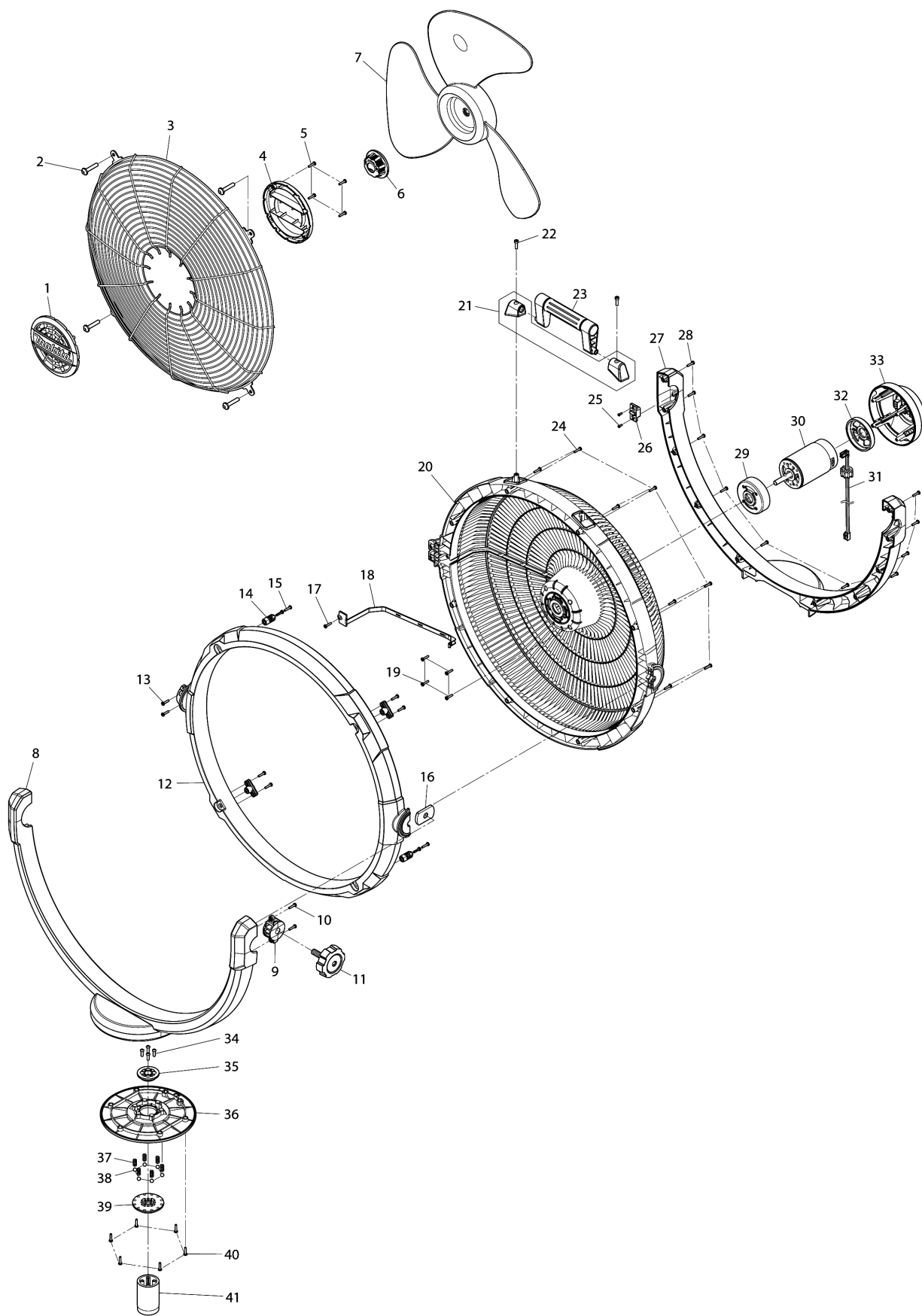
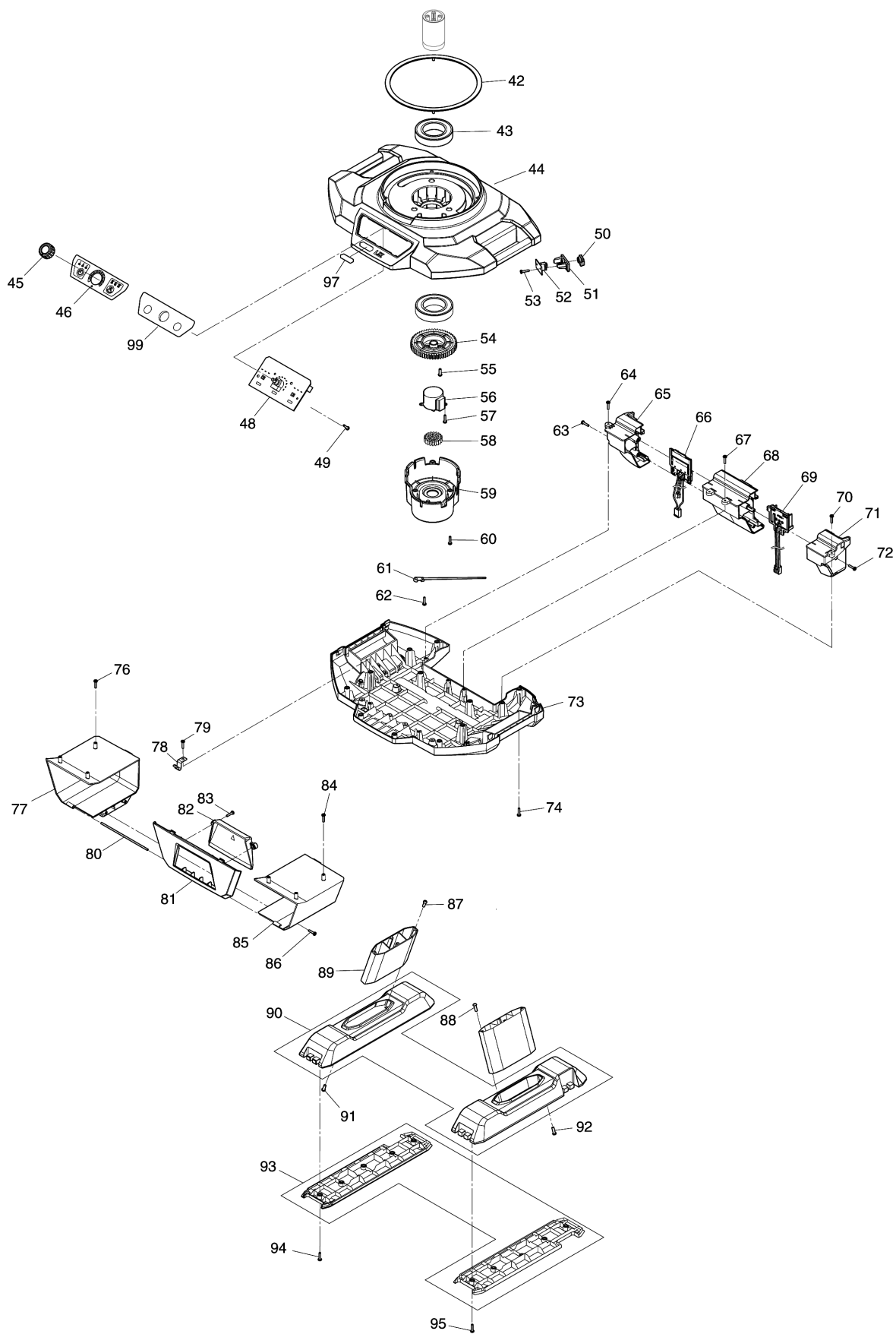


# Model No.CF003G CORDLESS FAN



# Model No.CF003G CORDLESS FAN



Model No.CF003G CORDLESS FAN

Item	Parts No.	Description	I/C	Qty	New/Old	Opt. 1	Opt. 2	Note
001	TE00000704	CENTER CAP FRONT		1				
002	TE00000706	PAN HEAD SCREW M5X20		4				
003	TE00000707	FRONT GUARD		1				
004	TE00000708	CENTER CAP REAR		1				
005	TE00000028	TAPPING SCREW 3X14		4				
006	TE00000709	BLADE FIXING TUB NUT M8 LH		1				
007	TE00000710	FAN BLADE 45		1				
008	TE00000711	FRONT SWINGING FLAME		1				
009	TE00000712	ANGLE ADJUSTER RING		1				
010	TE00000028	TAPPING SCREW 3X14		2				
011	TE00000713	TUB SCREW M10X31		1				
012	TE00000714	FRONT GUARD FIXING RING		1				
013	TE00000028	TAPPING SCREW 3X14		2				
014	TE00000715	FRONT GUARD FIXING NUT M5		4				
015	TE00000028	TAPPING SCREW 3X14		8				
016	TE00000716	RECTANGLE NUT M10		1				
017	TE00000028	TAPPING SCREW 3X14		1				
018	TE00000717	WIRING COVER FOR REAR GUARD		1				
019	TE00000028	TAPPING SCREW 3X14		4				
020	TE00000718	REAR GUARD		1				
021	TE00000719	HANDLE HOLDER L/R SET		1				
022	TE00000720	HEX SOCKET HEAD TAPPING SCREW		2				
023	TE00000721	HANDLE		1				
024	TE00000028	TAPPING SCREW 3X14		8				
025	TE00000203	SELF-TAPPING SCREW 2.5X8		2				
026	TE00000722	POM SMALL FASTENER 1		1				
027	TE00000723	REAR SWINGING FLAME		1				
028	TE00000028	TAPPING SCREW 3X14		10				
029	TE00000724	FRONT MOTOR MOUNT		1				
030	TE00000725	DC MOTOR ASSY		1				
031	TE00000726	LEAD WIRE ASSY(MOTOR-PCB)		1				
032	TE00000727	REAR MOTOR MOUNT		1				
033	TE00000728	MOTOR HOUSING		1				
034	TE00000729	PAN HEAD SCREW M4X12		4				
035	TE00000730	TURN TABLE BASE		1	*			
035-1	TE00000730	TURN TABLE BASE	O	1	*			
035-2	TE00000733	FIX RING FOR TURN TABLE	X	1				
036	TE00000731	TURN TABLE		1				
037	TE00000732	COMPRESSION SPRING 6		6				
038	TE00000063	STEEL BALL 6		6				
039	TE00000733	FIX RING FOR TURN TABLE		1	*			
039-1	TE00000733	FIX RING FOR TURN TABLE	O	1	*			
039-2	TE00000730	TURN TABLE BASE	X	1				

Please order the parts with part number.

Print Date 11/9/2023

Model No.CF003G CORDLESS FAN

Item	Parts No.	Description	I/C	Qty	New/Old	Opt. 1	Opt. 2	Note
040	TE0000028	TAPPING SCREW 3X14		6				
041	TE00000734	SWING SHAFT		1				
042	TE00000735	TURN TABLE RING		1				
043	TE00000736	BALL BEARING 6008ZZ		2				
044	TE00000737	UPPER CONTROLLER HOUSING		1				
045	TE00000738	KNOB FOR SPEED CONTROL		1				
046	TE00000740	LABEL FOR SWITCH PANEL		1				
048	TE00000742	PCB		1				
049	TE00000388	TAPPING SCREW 3X10		4				
050	TE00000743	DC SOCKET COVER		1				
051	TE00000744	DC SOCKET PANEL		1				
052	TE00000745	DC SOCKET		1				
053	TE00000028	TAPPING SCREW 3X14		2				
054	TE00000746	GEAR 54		1				
055	TE00000729	PAN HEAD SCREW M4X12		4				
056	TE00000747	MOTOR ASSY FOR SWINGING		1	*			
056-1	TE00000818	MOTOR ASSY FOR SWINGING	O	1				
057	TE00000028	TAPPING SCREW 3X14		2				
058	TE00000748	GEAR 20		1				
059	TE00000749	SWING UNIT HOUSING		1				
060	TE00000028	TAPPING SCREW 3X14		3				
061	TE00000418	CABLE TIE		1				
062	TE00000028	TAPPING SCREW 3X14		1				
063	TE00000028	TAPPING SCREW 3X14		2				
064	TE00000028	TAPPING SCREW 3X14		1				
065	TE00000750	BATTERY HOLDER LEFT		1				
066	TE00000751	BATTERY TERMINAL(LXT)		1				
067	TE00000028	TAPPING SCREW 3X14		2				
068	TE00000752	BATTERY HOLDER CENTER		1				
069	TE00000753	BATTERY TERMINAL(XGT)		1				
070	TE00000028	TAPPING SCREW 3X14		1				
071	TE00000754	BATTERY HOLDER RIGHT		1				
072	TE00000028	TAPPING SCREW 3X14		2				
073	TE00000755	LOWER CONTROLLER HOUSING		1				
074	TE00000028	TAPPING SCREW 3X14		12				
076	TE00000028	TAPPING SCREW 3X14		3				
077	TE00000767	ACCESSORY BOX LEFT SIDE		1				
078	TE00000768	ACCESSORY BOX LID STOPPER		2				
079	TE00000028	TAPPING SCREW 3X14		2				
080	TE00000769	HINGE ROD FOR ACCESSORY BOX		1				
081	TE00000770	ACCESSORY BOX LID OUTER PANEL		1				
082	TE00000771	ACCESSORY BOX LID CENTER PANEL		1				
083	TE00000028	TAPPING SCREW 3X14		2				

Please order the parts with part number.

Print Date 11/9/2023

Model No.CF003G CORDLESS FAN

Item	Parts No.	Description	I/C	Qty	New/Old	Opt. 1	Opt. 2	Note
084	TE00000028	TAPPING SCREW 3X14		3				
085	TE00000772	ACCESSORY BOX RIGHT SIDE		1				
086	TE00000028	TAPPING SCREW 3X14		2				
087	TE00000773	TAPPING SCREW 4X10		4				
088	TE00000773	TAPPING SCREW 4X10		4				
089	TE00000774	ALUMINUM LEG		2				
090	TE00000775	UPPER FOOT SET		1				
091	TE00000773	TAPPING SCREW 4X10		3				
092	TE00000773	TAPPING SCREW 4X10		3				
093	TE00000776	LOWER FOOT SET		1				
094	TE00000028	TAPPING SCREW 3X14		5				
095	TE00000028	TAPPING SCREW 3X14		5				
097	TE00000580	XGT LABEL		1				
099	TE00000741	SWITCH PANEL		1				
A01	TE00000793	AC ADAPTER IN:100-240V OUT:13V		1				
A02	TE00000779	POWER SUPPLY CORD EU		1				

Please order the parts with part number.

Print Date 11/9/2023