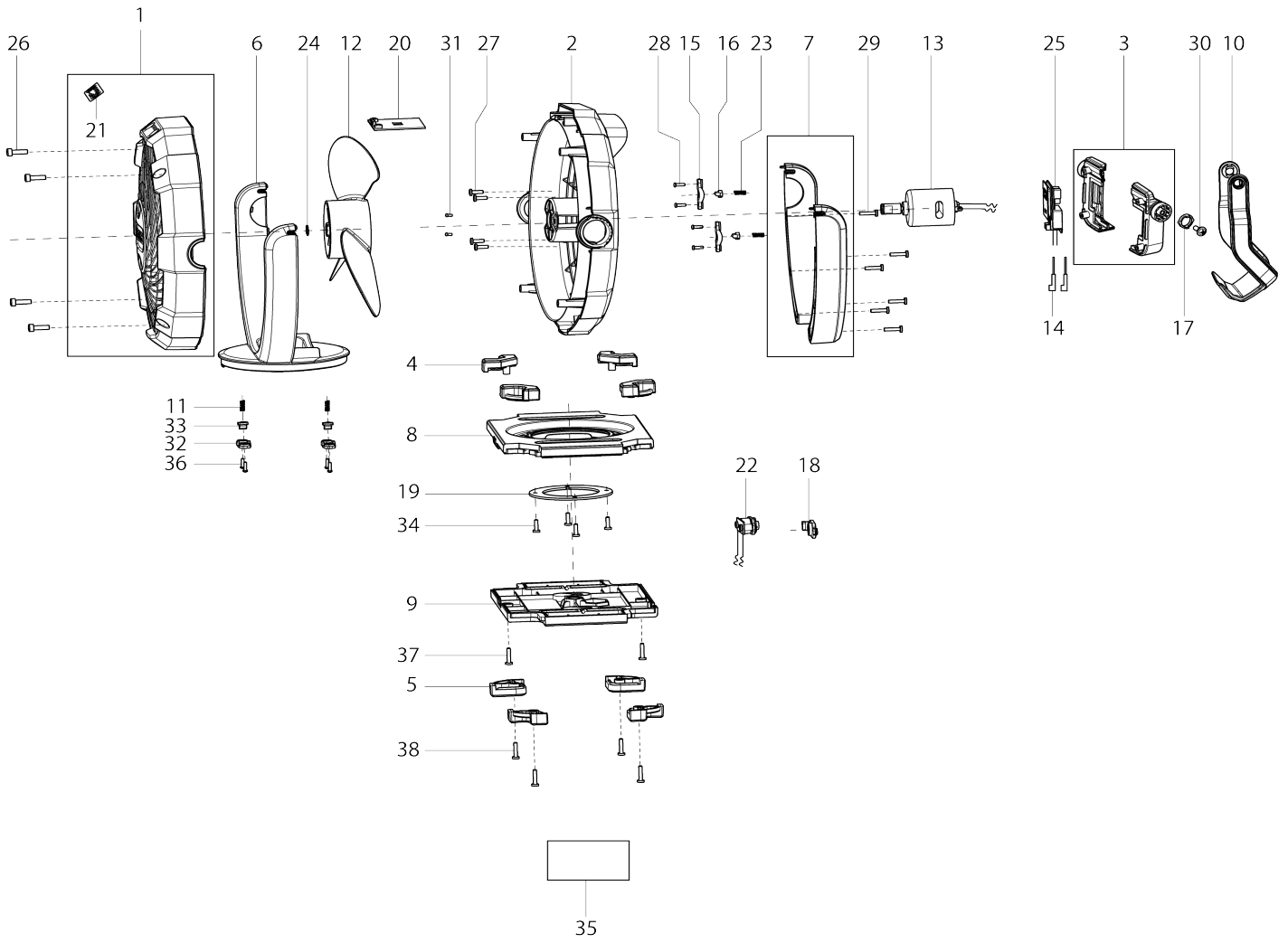


Model No.CF100D CORDLESS FAN



Model No.CF100D CORDLESS FAN

Item No.	Parts No.	Description	Interchangeability	Q'ty	New/Old	Note1	Note2
001	TE00000177	FRONT COVER		1			
D10		INC. 21					
002	TE00000178	BACK COVER		1			
003	TE00000179	THE BATTERY HOUSING		1			
004	TE00000180	UP INSERT OF BOTTOM		4			
005	TE00000180	UP INSERT OF BOTTOM		4			
006	TE00000181	FRONT COVER OF THE STAND		1			
007	TE00000182	BACK COVER OF THE SUPPORT		1			
008	TE00000183	UP COVER OF THE BASE		1			
009	TE00000184	LOWER COVER OF THE BASE		1			
010	TE00000185	HOOK AND HANDLE		1			
011	TE00000197	SPRING1		2			
012	TE00000186	FAN BLADE		1	*		
012-1	TE00000698	FAN BLADE	O	1			
013	TE00000187	MOTOR AND LEAD		1			
014	TE00000188	LEAD WITH INSERTING PIECE		2			
015	TE00000189	STOPPER SUPPORT		2	*		
015-1	TE00000189	STOPPER SUPPORT	O	2			
016	TE00000190	STOPPER		2	*		
016-1	TE00000190	STOPPER	O	2			
017	TE00000191	STOPPER FOR HOOK AND HANDLE		2	*		
017-1	TE00000191	STOPPER FOR HOOK AND HANDLE	O	2			
018	TE00000192	CHARGING SOCKET PLUG		1			
019	TE00000193	WASHER 48		1	*		
019-1	TE00000193	WASHER 48	O	1			
020	TE00000194	PCB		1			
021	TE00000195	SWITCH LABEL		1			
022	TE00000196	PCB DC JACK ASS'Y		1	*		
022-1	TE00000196	PCB DC JACK ASS'Y	O	1			
023	TE00000198	SPRING2		2			
024	TE00000199	CIRCLIP		1			
025	644813-5	TERMINAL		1			
026	TE00000201	HEX TAPPING SCREW 4X14		4	*		
026-1	TE00000201	HEX TAPPING SCREW 4X14	O	4			
027	TE00000202	SCREW 3X10		4			
028	TE00000203	SELF-TAPPING SCREW 2.5X8		4			
029	TE00000204	SCREW 3X14		6			
030	TE00000205	CROSS BELT PAD SCREWS 4X10		2			
031	TE00000206	P.H. SCREW M3X5		2			
032	TE00000189	STOPPER SUPPORT		2	*		
032-1	TE00000189	STOPPER SUPPORT	O	2			
033	TE00000190	STOPPER		2	*		
033-1	TE00000190	STOPPER	O	2			
034	TE00000202	SCREW 3X10		4			
035	TE00000229	RATING LABEL		1			
036	TE00000203	SELF-TAPPING SCREW 2.5X8		4			

037	TE00000204	SCREW 3X14		2			
038	TE00000204	SCREW 3X14		4			
039	TE00000211	ADAPTER		1	*		
039-1	TE00000438	AC ADAPTER	O	1			

Please state Parts No. when your order.

Print Date 10/25/2023