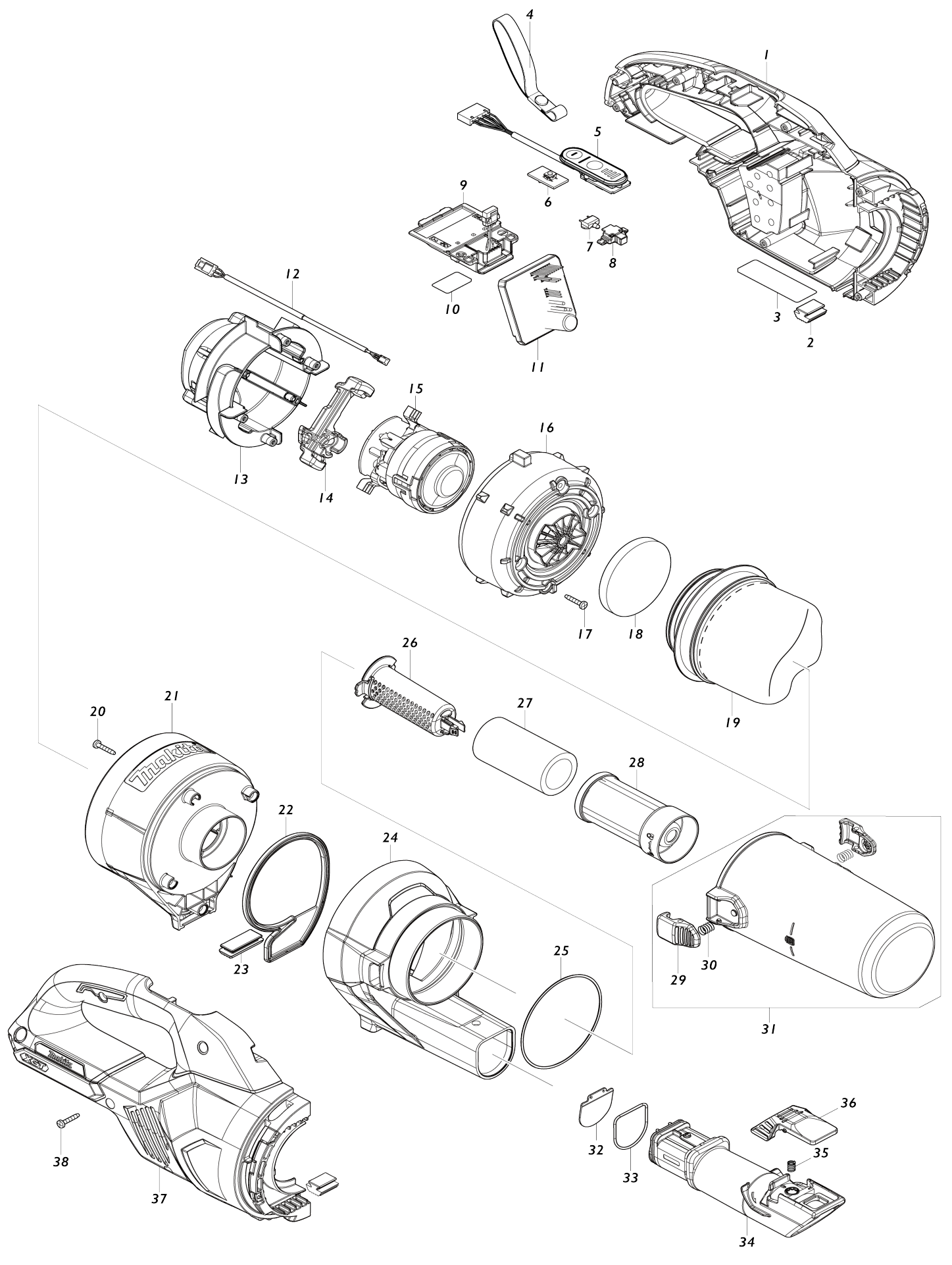


# Model No.CL003G CORDLESS CLEANER



**Model No.CL003G CORDLESS CLEANER**

Item No.	Parts No.	Description	Interchangability	Q'ty	New/Old	Note1	Note2
001	183W54-1	HOUSING SET		1			
C10	263005-3	RUBBER PIN 6		2			
C20	422714-5	SPONGE SEAT		2			
C30	8005T5-8	XGT LOGO LABEL		1			
D10		INC. 2,37					
002	422460-0	RUBBER PLATE		2			
003	858F40-6	CL003G NAME PLATE		1			
005	141B54-1	INDICATION CIRCUIT COMPLETE		1			
C10	8031J2-9	SWITCH LABEL		1			
006	620E74-1	SWITCH UNIT		1			
007	620E82-2	LED CIRCUIT		1			
008	141H09-2	LED CASE COMPLETE		1			
009	632P65-6	TERMINAL UNIT		1			
010	858F47-2	CL003G SERIAL NO. LABEL		1			
011	620E90-3	CONTROLLER		1			
012	632S32-9	LEAD UNIT		1			
013	141E55-7	MOTOR COVER R COMPLETE		1			
C10	263002-9	RUBBER PIN 4		4			
014	422723-4	MOTOR COVER SEAL		1			
015	629A46-9	MOTOR ASSEMBLY		1			
016	413645-9	MOTOR COVER F		1			
017	266429-2	TAPPING SCREW 3X16		4			
018	422909-0	SPONGE SHEET 62		1			
019	1910C7-9	HIGH PERFORMANCE FILTER SET		1			
020	266429-2	TAPPING SCREW 3X16		4			
021	413H34-6	FILTER HOUSING		1			
022	422884-0	SEAL		1			
023	422885-8	RUBBER PLATE		1			
024	413H35-4	FRONT HOUSING		1			
025	213884-9	O RING 72		1			
026	413H21-5	MESH PIPE		1			
027	422908-2	SPONGE FILTER		1			
028	413H29-9	PREFILTER		1			
029	459106-5	STOPPER		2			
030	232460-0	COMPRESSION SPRING 7		2			
031	136713-8	DUST BOX ASSEMBLY		1			
D10		INC. 29,30					
032	422886-6	VALVE		1			
033	213837-8	O-RING 29		1			
034	413H36-2	INLET		1			
035	232485-4	COMPRESSION SPRING 5		1			
036	413H20-7	LEVER		1			
037	183W54-1	HOUSING SET		1			
C10	263005-3	RUBBER PIN 6		2			
C20	422714-5	SPONGE SEAT		2			
C30	8005T5-8	XGT LOGO LABEL		1			
D10		INC. 1,2					

038	266429-2	TAPPING SCREW 3X16		7		
A01	127827-4	NOZZLE ASSEMBLY		1		
C10	451410-8	ROLLER		4		
C20	268208-4	PIN 3		4		
C30	424096-1	WIPER		1	*	
C31	422963-4	WIPER	O	1		
A02	413859-0	SASH NOZZLE		1		
A03	459355-4	NOZZLE HOLDER		1		
A04	459356-2	PIPE		1		
F06	1910D3-4	CYCLONE UNIT SET		1		
F07	1910D4-2	CYCLONE UNIT SET		1		
F08	1910D5-0	CYCLONE UNIT SET		1		
F18	191E30-3	FLEXIBLE HOSE SET(LOCK)		1		
F25	198538-8	SHELF BRUSH SET28 BLU		1		
F26	198540-1	SHELF BRUSH SET28 BLK EU		1		
F41	1910C7-9	HIGH PERFORMANCE FILTER SET		1		
F42	1910C9-5	FILTER H SET		1		
F44	198990-0	LONG SASH NOZZLE SET 28 BLU		1		
F47	199039-9	SEAT NOZZLE SET 28 BLK		1		
F48	199041-2	SEAT NOZZLE SET 28 BLU		1		
F52	199901-8	TOOL BAG SET		1		
F88	191X06-4	NOZZLE ASSEMBLY SET		1		
F92	1911L1-0	CLEANER STAND SET		1		
A05	198553-2	ROUND BRUSH SET 28 BLU		1		
A10	***DC40RC	DC40RC FAST CHARGER		1		
D10		COMPO-PARTS				
A11	191B36-3	BATTERY BL4025 SET		1		
A12	412393-7	BATTERY COVER		1		
A15	199041-2	SEAT NOZZLE SET 28 BLU		1		
A10	***DC40RA	DC40RA FAST CHARGER		1		
001	183W55-9	HOUSING SET		1		
021	413H37-0	FILTER HOUSING		1		
024	413H38-8	FRONT HOUSING		1		
034	413H39-6	INLET		1		
037	183W55-9	HOUSING SET		1		
A01	127828-2	NOZZLE ASSEMBLY		1		
A02	413809-5	SASH NOZZLE		1		
A03	459038-6	NOZZLE HOLDER		1		
A04	458942-6	PIPE		1		
A05	198555-8	ROUND BRUSH SET 28 BLK EU		1		
A15	199039-9	SEAT NOZZLE SET 28 BLK		1		
001	183W52-5	HOUSING SET		1		
021	413H18-4	FILTER HOUSING		1		
024	413H19-2	FRONT HOUSING		1		
034	413H25-7	INLET		1		
037	183W52-5	HOUSING SET		1		
A01	127825-8	NOZZLE ASSEMBLY		1		
A02	413770-6	SASH NOZZLE		1		
A03	459354-6	NOZZLE HOLDER		1		
A04	459353-8	PIPE		1		
A05	198878-4	ROUND BRUSH SET 28 WHI		1		
A15	199038-1	SEAT NOZZLE SET 28 WHI		1		

Please state Parts No. when your order.

Print Date 10/24/2023