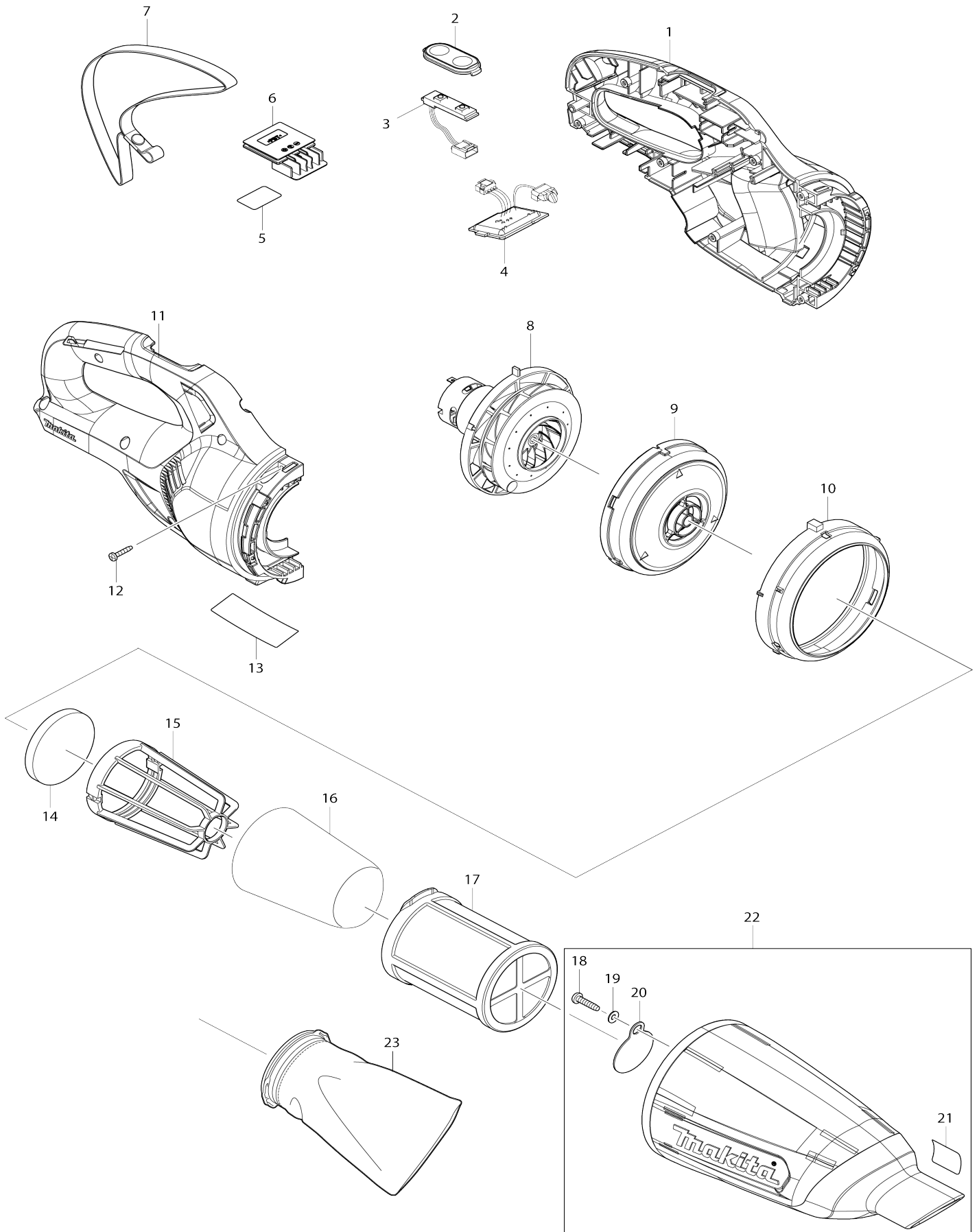


Model No.CL108FD CORDLESS CLEANER



Model No.CL108FD CORDLESS CLEANER

| Item No. | Parts No. | Description | Interchangability | Q'ty | New/Old | Note1 | Note2 |
|----------|-----------|--------------------------|-------------------|------|---------|-------|-------|
| 001 | 183K49-2 | HOUSING SET | | 1 | * | | |
| C10 | 424913-5 | SPONGE SHEET 35-70 | | 2 | * | | |
| D10 | | INC. 11 | | | | | |
| 001-1 | 183L99-3 | HOUSING SET | O | 1 | | | |
| C10 | 424913-5 | SPONGE SHEET 35-70 | | 2 | | | |
| D10 | | INC. 11 | | | | | |
| 002 | 144096-2 | SWITCH PLATE COMPLETE | | 1 | | | |
| 003 | 631973-2 | SWITCH UNIT | | 1 | | | |
| 004 | 632N07-8 | CONTROLLER UNIT | | 1 | * | | |
| C10 | 620601-4 | LED CIRCUIT | | 1 | * | | |
| 004-1 | 632R95-9 | CONTROLLER UNIT | < | 1 | | | |
| C11 | 620E97-9 | LED CIRCUIT | < | 1 | | | |
| C30 | 654086-2 | RECEPTACLE | | 2 | | | |
| 005 | 854T81-4 | CL108FD SERIAL NO. LABEL | | 1 | | | |
| 006 | 644813-5 | TERMINAL | | 1 | | | |
| 008 | 126846-7 | MOTOR ASSEMBLY | | 1 | | | |
| 009 | 458834-9 | FAN COVER | | 1 | | | |
| 010 | 422377-7 | RUBBER RING | | 1 | | | |
| 011 | 183K49-2 | HOUSING SET | | 1 | * | | |
| C10 | 424913-5 | SPONGE SHEET 35-70 | | 2 | * | | |
| D10 | | INC. 1 | | | | | |
| 011-1 | 183L99-3 | HOUSING SET | O | 1 | | | |
| C10 | 424913-5 | SPONGE SHEET 35-70 | | 2 | | | |
| D10 | | INC. 1 | | | | | |
| 012 | 266429-2 | TAPPING SCREW 3X16 | | 7 | | | |
| 013 | 854T75-9 | CL108FD NAME PLATE | | 1 | | | |
| 014 | 422268-2 | SPONGE SHEET 57 | | 1 | | | |
| 015 | 458467-0 | STAY | | 1 | | | |
| 016 | 443060-3 | FILTER | | 1 | | | |
| 017 | 451208-3 | PRE-FILTER | | 1 | | | |
| 018 | 265995-6 | TAPPING SCREW 4X18 | | 1 | * | | |
| 018-1 | 266326-2 | TAPPING SCREW 4X18 | O | 1 | * | | |
| 018-2 | 251530-6 | TAPPING SCREW 4X18 | S | 1 | | | |
| 019 | 941051-3 | FLAT WASHER 4 | | 1 | * | | |
| 020 | 424208-6 | VALVE | | 1 | | | |
| 021 | 809293-4 | INDICATION LABEL | | 1 | | | |
| 022 | 140G25-5 | CAPSULE COMPLETE | | 1 | | | |
| D10 | | INC. 18-21 | | | | | |
| D11 | | INC. 18,20,21 | | | | | |
| A01 | 123488-8 | FLOOR T-NOZZLE 28 BLU | | 1 | | | |
| C10 | 451410-8 | ROLLER | | 4 | | | |
| C20 | 268208-4 | PIN 3 | | 4 | | | |
| C30 | 424096-1 | WIPER | | 1 | * | | |
| C31 | 422963-4 | WIPER | O | 1 | | | |
| A02 | 451243-1 | SASH NOZZLE 28 BLU | | 1 | * | | |
| A02-1 | 413859-0 | SASH NOZZLE | O | 1 | | | |
| A03 | 451244-9 | PIPE | | 1 | | | |

| | | | | | | |
|-------|-----------|-----------------------------|---|---|---|--|
| A04 | 451245-7 | SASH NOZZLE HOLDER | | 1 | | |
| F09 | 198527-3 | FLOOR/CARPET T-NOZZLE BLU | | 1 | | |
| F12 | 198538-8 | SHELF BRUSH SET28 BLU | | 1 | | |
| F14 | 191496-7 | FLEXIBLE HOSE SET28(IVO) | | 1 | | |
| F18 | 198552-4 | ROUND BRUSH SET 28 IVO | | 1 | | |
| F31 | 198915-4 | FILTER SET | | 1 | | |
| F34-1 | 199039-9 | SEAT NOZZLE SET 28 BLK | O | 1 | | |
| F36 | 198990-0 | LONG SASH NOZZLE SET 28 BLU | | 1 | | |
| F42 | 199041-2 | SEAT NOZZLE SET 28 BLU | | 1 | | |
| F92 | 1911L1-0 | CLEANER STAND SET | | 1 | | |
| 001 | 183K48-4 | HOUSING SET | | 1 | * | |
| 001-1 | 183L97-7 | HOUSING SET | O | 1 | | |
| 011 | 183K48-4 | HOUSING SET | | 1 | * | |
| 011-1 | 183L97-7 | HOUSING SET | O | 1 | | |
| 022 | 140G24-7 | CAPSULE COMPLETE | | 1 | | |
| A01 | 123486-2 | FLOOR T-NOZZLE 28 WHI | | 1 | | |
| A02 | 451240-7 | SASH NOZZLE 28 WHI | | 1 | * | |
| A02-1 | 413770-6 | SASH NOZZLE | O | 1 | | |
| A03 | 451241-5 | PIPE | | 1 | | |
| A04 | 451242-3 | SASH NOZZLE HOLDER | | 1 | | |
| A05 | 456128-6 | BATTERY COVER | | 1 | | |
| A06 | ***DC10WD | DC10WD BATTERY CHARGER | | 1 | | |
| D10 | | COMPO-PARTS | | | | |
| A07 | 197396-9 | BATTERY BL1021B SET | | 1 | * | |
| A07-1 | 197396-9 | BATTERY BL1021B SET | O | 1 | | |
| 001-1 | 183T11-1 | HOUSING SET | | 1 | | |
| 011-1 | 183T11-1 | HOUSING SET | | 1 | | |
| 018 | 266326-2 | TAPPING SCREW 4X18 | | 1 | * | |
| 018-1 | 251530-6 | TAPPING SCREW 4X18 | S | 1 | | |
| 022 | 141D85-2 | CAPSULE COMPLETE | | 1 | | |
| A01 | 123843-4 | FLOOR T-NOZZLE 28 PNK | | 1 | | |
| A02 | 457228-5 | SASH NOZZLE 28 PNK | | 1 | * | |
| A02-1 | 413862-1 | SASH NOZZLE | O | 1 | | |
| A03 | 457231-6 | PIPE 465-28 PNK | | 1 | | |
| A04 | 457229-3 | SASH NOZZLE HOLDER | | 1 | | |
| A06 | ***DC10SB | DC10SB BATTERY CHARGER | | 1 | | |

Please state Parts No. when your order.

Print Date 10/18/2023