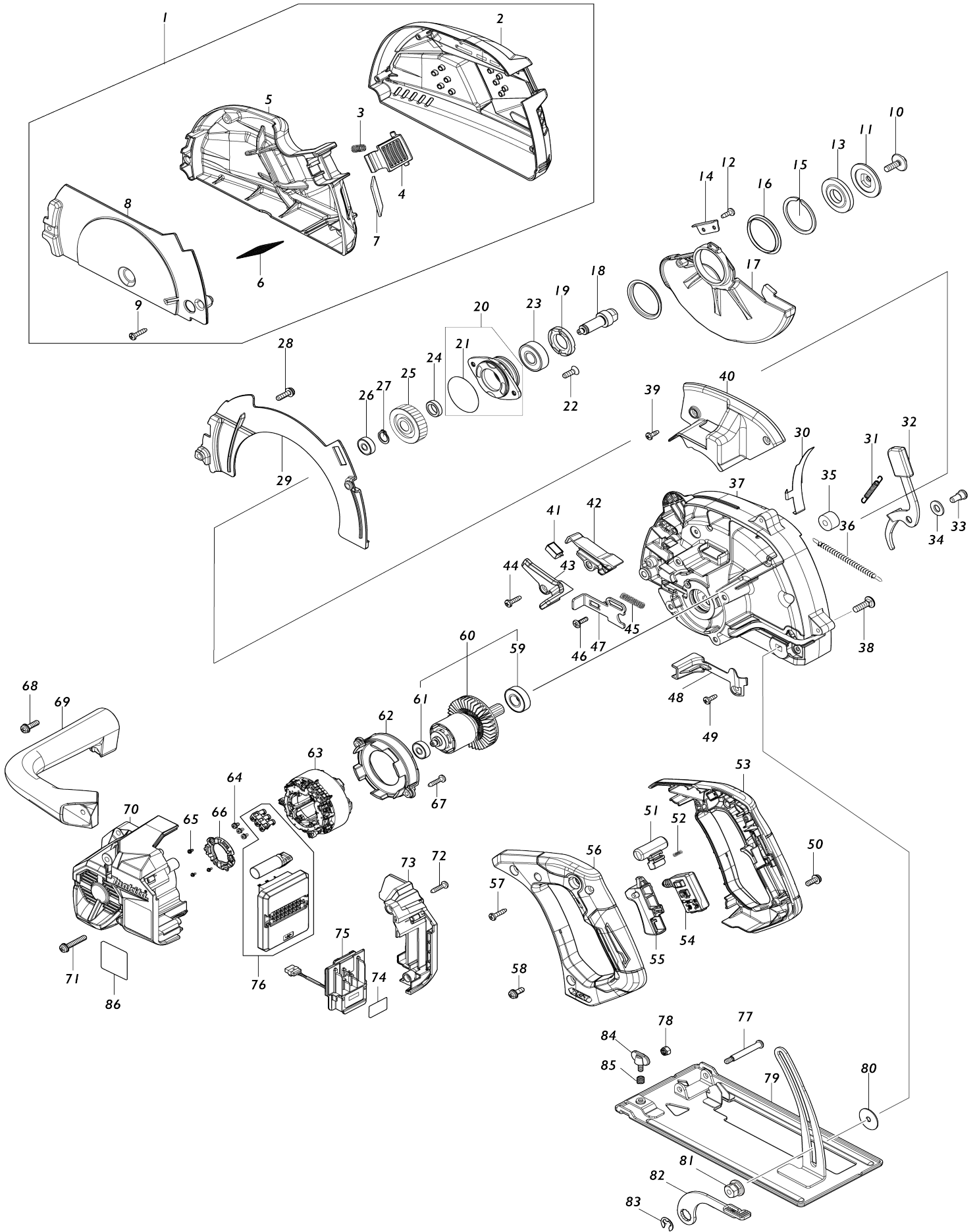


Model No.CS002G 185MM CORDLESS METAL CUTTER



Model No.CS002G 185MM CORDLESS METAL CUTTER

Item No.	Parts No.	Description	Interchangeability	Q'ty	New/Old	Note1	Note2
001	136729-3	DUST CASE ASS'Y		1			
D10		INC. 2-9					
002	183W40-2	DUST CASE COVER SET		1			
C10	8012U4-2	XGT LOGO LABEL		1			
C20	810055-5	CAUTION LABEL		1			
003	233189-1	COMPRESSION SPRING 6		1			
004	413E80-1	HOOK		1			
005	312C66-9	DUST CASE		1			
006	347996-7	PUNCHING METAL COVER		1			
007	431005-3	HEAT RESISTING GLASS		1			
008	312C67-7	DUST PLATE		1			
009	265995-6	TAPPING SCREW 4X18		5			
010	266458-5	HEX.SOCKET HEX.BOLT M6X18		1			
011	224366-6	OUTER FLANGE 40		1			
012	266026-4	TAPPING SCREW BIND CT 4X12		1			
013	224370-5	INNER FLANGE 40		1			
014	344944-7	SUB PLATE		1			
015	961186-4	RETAINING RING WR-40		1			
016	347964-0	SPACER		2			
017	312C69-3	SAFETY COVER		1			
018	327957-3	SPINDLE		1			
019	285802-7	BEARING RETAINER 19-33		1			
020	136703-1	BEARING BOX ASS'Y		1			
D10		INC. 21					
021	213565-5	O RING 42		1			
022	265034-2	+ COUNTERSUNK HEAD SCREW M5X16		2			
023	211129-9	BALL BEARING 6201DDW		1			
024	257011-8	RING 12		1			
025	227944-1	HELICAL GEAR 29		1			
026	210022-4	BALL BEARING 626DDW		1			
027	961052-5	RETAINING RING (EXT) S-12		1			
028	911228-4	PAN HEAD SCREW M5X18		2			
029	312C68-5	BLADE COVER		1			
030	347A66-8	PROTECTOR		1			
031	231823-7	TENSION SPRING 4		1			
032	162B55-6	LEVER		1			
033	251267-5	+ PAN HEAD SCREW M6		1	*		
033-1	265506-7	SHOULDER HEX. BOLT M6	S	1	*		
033-2	265D04-5	+ PAN HEAD SCREW M6	O	1			
034	941201-0	FLAT WASHER 8		1	*		
034-1	253139-0	FLAT WASHER 8	S	1			
035	262552-1	RUBBER SLEEVE 6		1			
036	231845-7	TENSION SPRING 4		1			
037	141H36-9	GEAR HOUSING COMPLETE		1	*		
C10	213437-4	O RING 28		1	*		
C20	263002-9	RUBBER PIN 4		1	*		
037-1	141V52-5	GEAR HOUSING COMPLETE	S	1			

C10	213437-4	O RING 28		1		
C20	263002-9	RUBBER PIN 4		1		
038	266737-1	FLAT HEAD SQ. NECK BOLT M6X20		1		
039	266026-4	TAPPING SCREW BIND CT 4X12		2		
040	413E82-7	GEAR HOUSING COVER		1	*	
040-1	413X46-5	GEAR HOUSING COVER	S	1		
041	620936-3	LED CIRCUIT		1		
042	413E86-9	LED CASE		1		
043	413E85-1	LED COVER		1		
044	266034-5	TAPPING SCREW CT 4X16		1		
045	233084-5	COMPRESSION SPRING 6		1		
046	251529-1	+ PAN HEAD SCREW M4X14		1		
047	347963-2	SHAFT LOCK		1		
048	413E79-6	LEAD COVER		1		
049	266026-4	TAPPING SCREW BIND CT 4X12		1		
050	911218-7	PAN HEAD SCREW M5X14		2		
051	419704-7	LOCK OFF BUTTON		1		
052	231433-0	COMPRESSION SPRING 4		1		
053	183V81-2	HANDLE SET		1		
D10		INC. 56				
054	650008-0	SWITCH C3XB-1LPSPM		1	*	
054-1	650039-9	SWITCH C3XB-1LPSPM	<	1		
055	413C24-9	SWITCH LEVER		1		
056	183V81-2	HANDLE SET		1		
D10		INC. 53				
057	265995-6	TAPPING SCREW 4X18		3		
058	911218-7	PAN HEAD SCREW M5X14		2		
059	211131-2	BALL BEARING 6001DDW		1		
060	519749-6	ROTOR ASS'Y		1		
D10		INC. 59,61				
061	210022-4	BALL BEARING 626DDW		1		
062	413E81-9	BAFFLE PLATE		1		
063	629A85-9	STATOR		1		
064	652069-6	FLAT HEAD SCREW M3X6		3		
065	652093-9	PAN HEAD SCREW M2X5		3	*	
065-1	652119-7	PAN HEAD SCREW M2X6	O	3		
066	632R96-7	SENSOR UNIT		1		
067	265995-6	TAPPING SCREW 4X18		2		
068	911228-4	PAN HEAD SCREW M5X18		3		
069	413E78-8	GRIP		1		
070	141H38-5	MOTOR HOUSING COMPLETE		1		
C10	263005-3	RUBBER PIN 6		1		
071	911253-5	PAN HEAD SCREW M5X30		4		
072	265995-6	TAPPING SCREW 4X18		2		
073	141H41-6	TERMINAL HOUSING COMPLETE		1		
C10	263005-3	RUBBER PIN 6		1		
074	8117M5-6	CS002G SERIAL NO. LABEL		1		
075	632P49-4	TERMINAL UNIT		1		
076	620H98-5	CONTROLLER		1		
077	265075-8	+ PAN HEAD SCREW M5		1		
078	252103-8	HEX. LOCK NUT M5-8		1		

079	162B41-7	BASE		1		
080	253196-8	FLAT WASHER 6		1		
081	252312-9	COLLERED HEX. NUT M6-13		1		
082	271460-5	LEVER 90		1		
083	257953-6	BOW STOP RING E-12		1		
084	265701-9	THUMB SCREW M6X14		1		
085	231316-4	COMPRESSION SPRING 7		1		
086	8117J0-5	CS002G NAME PLATE		1		
A01	783203-8	HEX. WRENCH 5		1		
A02	E-12859	EFFICUT METAL FOR METAL CUT TIN		1		
A04	164095-8	GUIDE RULE		1		

Please state Parts No. when your order.

Print Date 10/24/2023